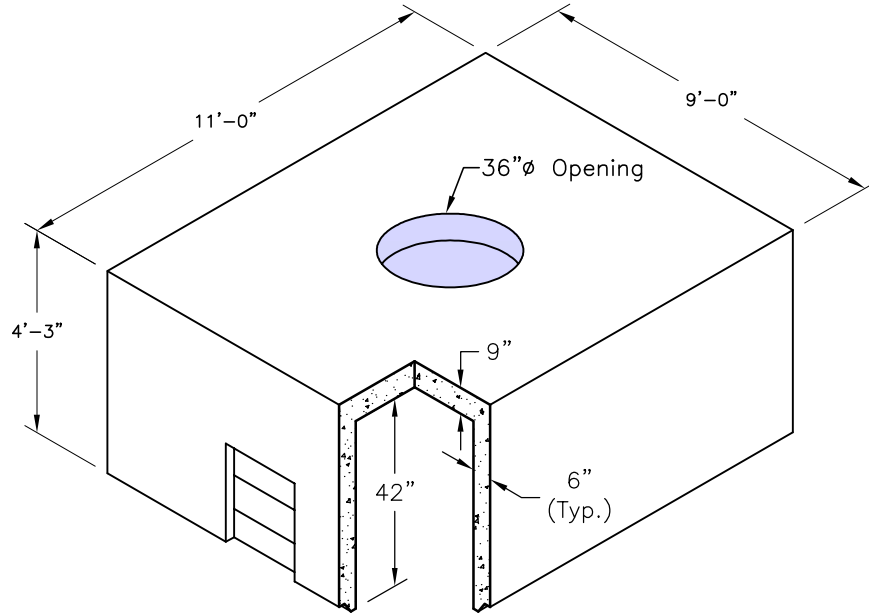


8'x10'x42" TOP

Weight - 20,300 Lbs.
Item# - 1011860



8'x10'x42" BTM.

Weight - 21,100 Lbs.
Item# - 1011840

