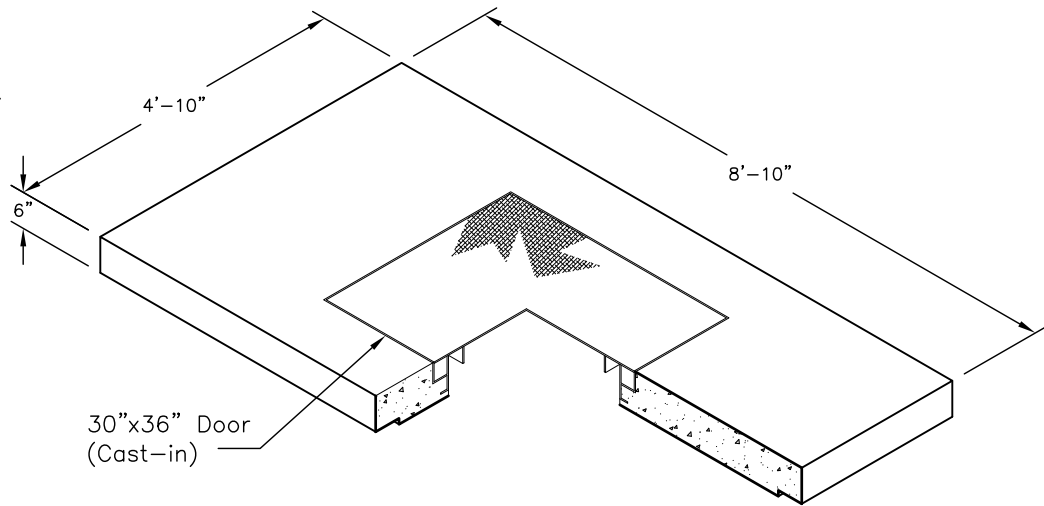


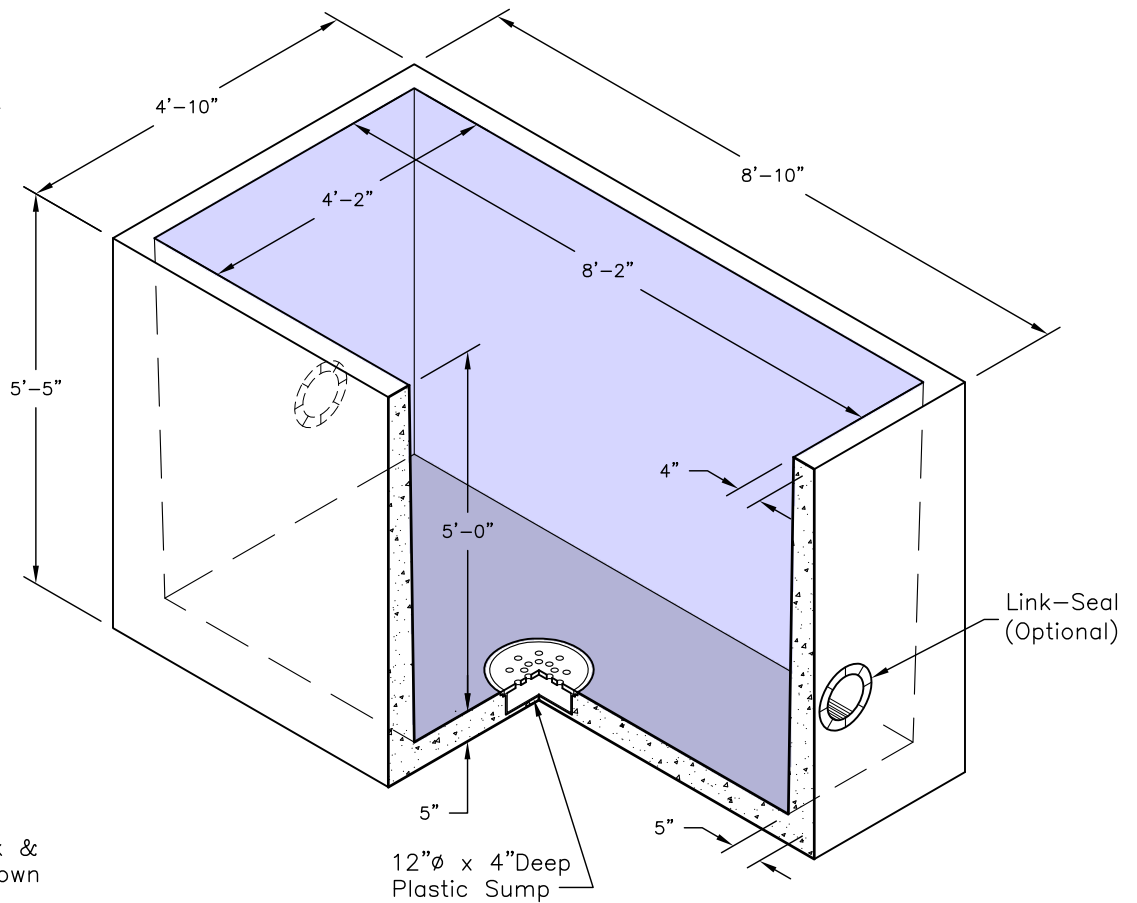
SLAB TOP

Weight - 3100 Lbs.
 Item# - 1021830



BASE

Weight - 10,100 Lbs.
 Item# - 1021840



Note: Detector Check & Piping Not Shown