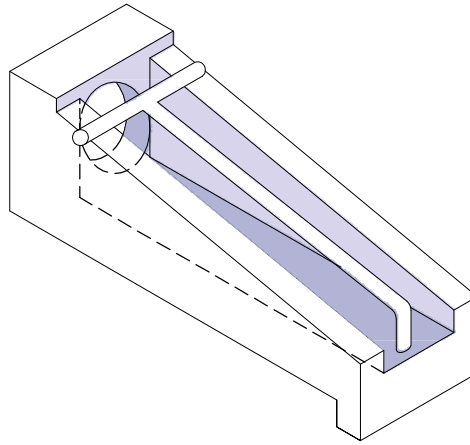
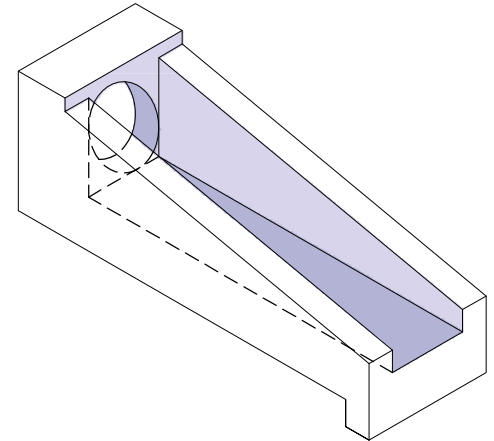


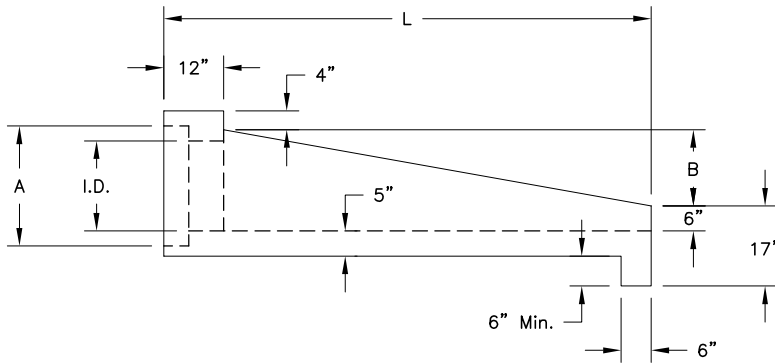
***TYPE II PARALLEL DRAINAGE**
"TYPE P"



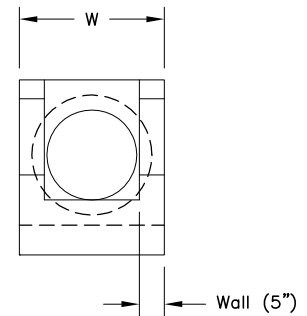
***TYPE II CROSS DRAINAGE**
"TYPE C"



PLAIN



ELEVATION VIEW



END VIEW

SPECIFICATIONS:

1. Concrete: Class "C" with design strength of 3600 PSI at 28 days.
2. Steel reinforcement: ASTM A-615 Grade 60.
3. Reinforcement: #4 @ 9" O.C. ea way or wire mesh equivalent to 0.24 in / linear foot in each direction.
4. Galvanized pipe shall conform to TXDOT specifications.

Pipe I.D.	Slope	Weight	W	L	A	B
18"	3 : 1	1,655 Lbs.	28"	57"	24"	15"
	4 : 1	2,005 Lbs.	28"	72"	24"	15"
	6 : 1	2,710 Lbs.	28"	102"	24"	15"