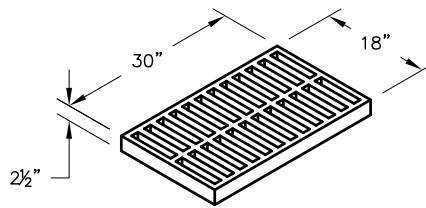


GENERAL NOTES:

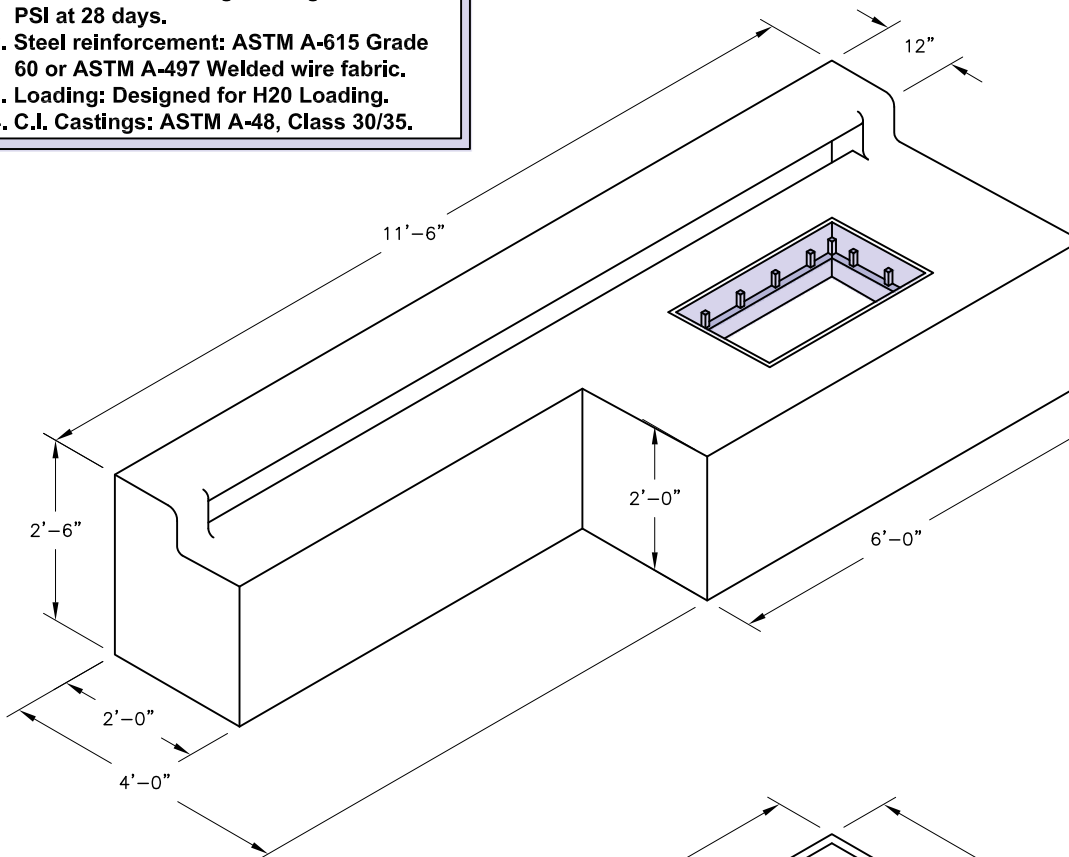
1. Different Height of Bodies are Available by Request.

SPECIFICATIONS:

1. Concrete has a design strength of 5000 PSI at 28 days.
2. Steel reinforcement: ASTM A-615 Grade 60 or ASTM A-497 Welded wire fabric.
3. Loading: Designed for H20 Loading.
4. C.I. Castings: ASTM A-48, Class 30/35.


C.I. Grate

Weight - 160 Lbs.
Item# - 7103500


**10' C & G
Inlet Top, Left
(Shown)**

Weight - 4130 Lbs.
Item# - 1207360

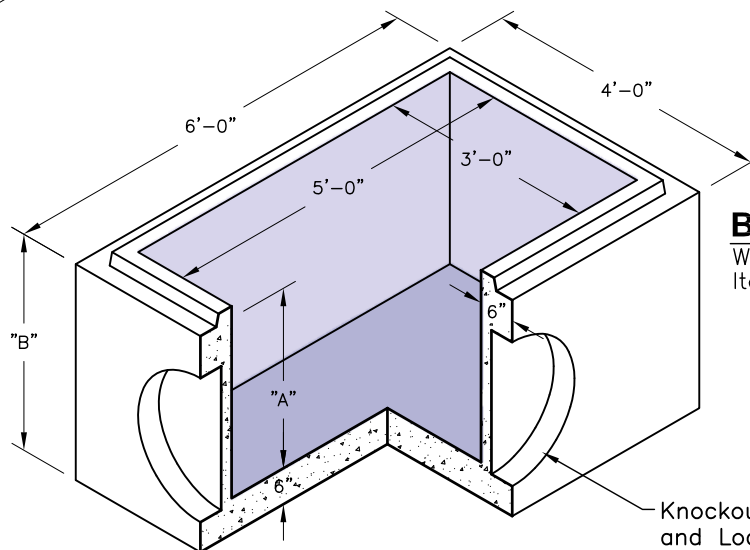
**10' C & G
Inlet Top, Right**

Weight - 4130 Lbs.
Item# - 1207380

**5' C & G
Inlet Top**

Weight - 2590 Lbs.
Item# - 1207420

Body			
A	B	Weight	Item #
24"	30"	4500 Lbs.	1204280
30"	36"	5175 Lbs.	1204320
36"	42"	5850 Lbs.	1204360
42"	48"	6525 Lbs.	1204400
54"	60"	7875 Lbs.	1204460
60"	66"	8550 Lbs.	1204480


Body

Weight - See Table
Item# - See Table

Knockout Size and Location will Vary Per Cust. Spec.