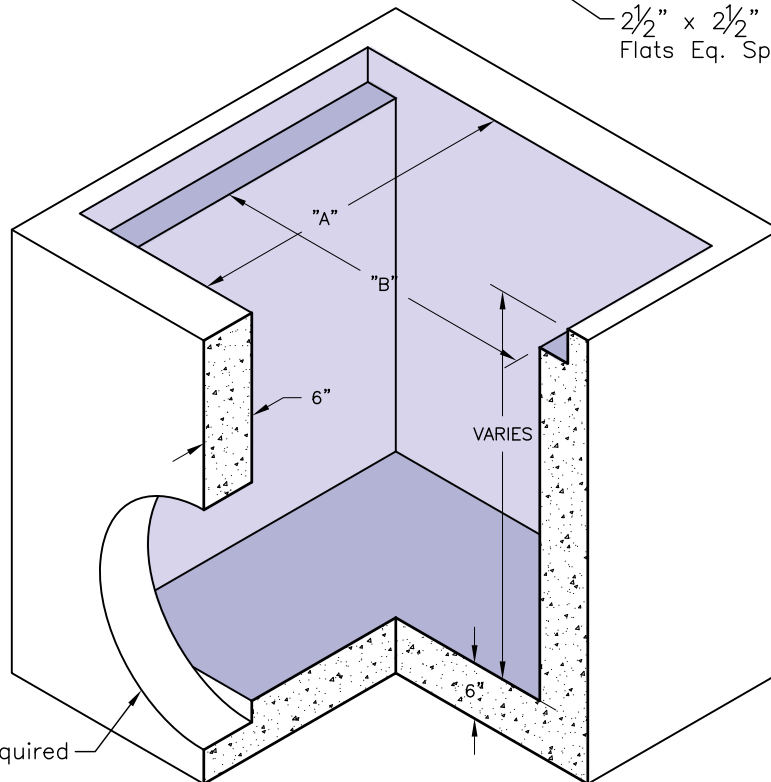

H-Grate

See Table


Body

See Table

Blockouts as Required

SPECIFICATIONS:

1. Concrete has a design strength of 5000 PSI at 28 days.
2. Steel reinforcement: ASTM A-615 Grade 60 or ASTM A-497 Welded wire fabric.
3. Loading: Designed for H20 Loading.
4. C.I. Castings: ASTM A-48, Class 30/35.

Body			
A	B	C	D
36"	36"	18.5"	42"
36"	60"	18.5"	66"
48"	48"	30.5"	54"
60"	60"	42.5"	66"

GENERAL NOTES:

1. Different Height of Bodies are Available by Request.