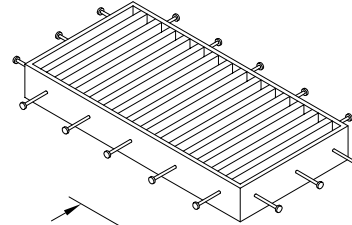


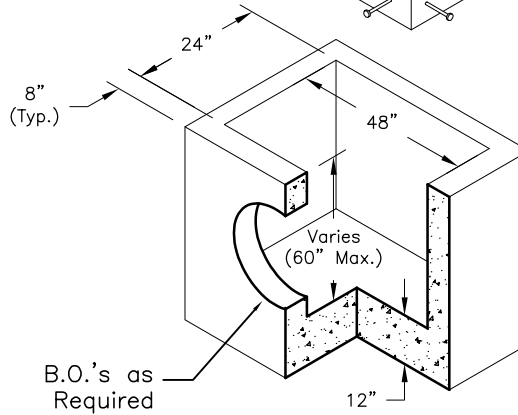
Structural Steel Frame & Grate

To be Cast-In Pavement



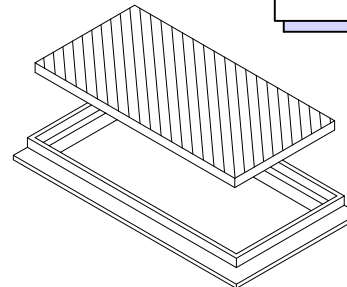
R3572 C.I. Frame & Grate or Equal

To be Cast-In Pavement



Body for S.S. Frame & Grate

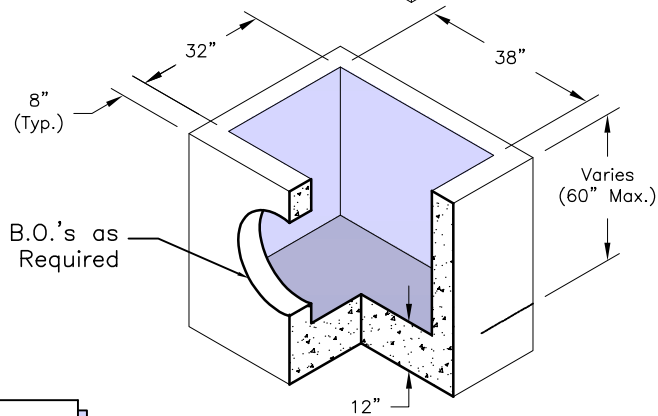
Weight : Varies With Height and Pipe Orientation



***Notes:**
Different Height Extension and Bottoms Are Available On Request.

Body for C.I. Frame & Grate

Weight : Varies With Height and Pipe Orientation



GENERAL NOTES:

1. Bedding Shall be in Accordance With TXDOT Plans and Specifications.