

ALL CONCRETE SHALL HAVE A 28 DAY COMPRESSIVE STRENGTH OF 4500 psi.

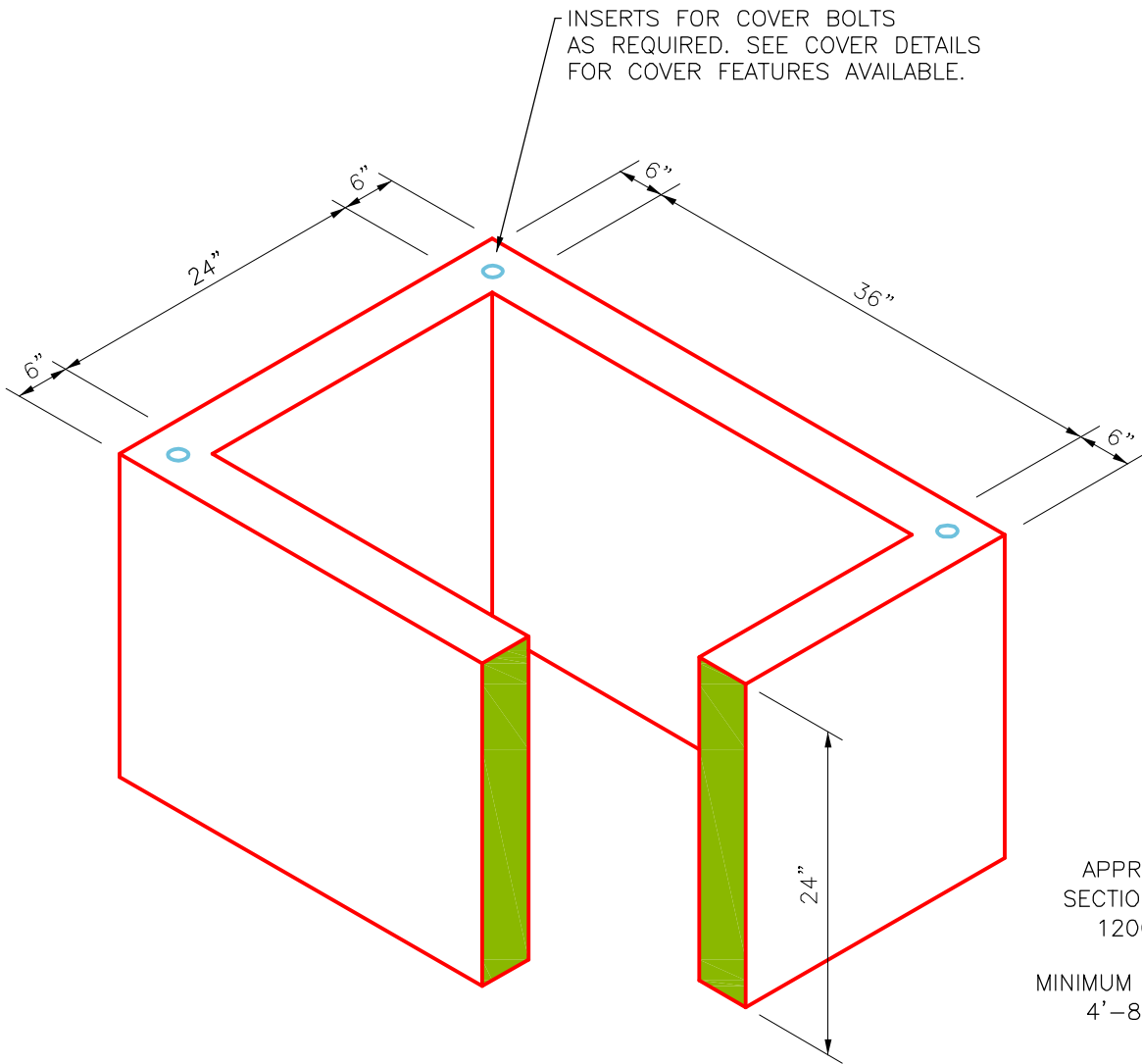
REINFORCING STEEL SHALL COMPLY WITH ASTM A615 GRADE 60, A706 GRADE 60 OR A497 GRADE 70. BAR BENDING AND PLACEMENT SHALL COMPLY WITH THE LATEST ACI STANDARDS

STANDARD STRUCTURAL DESIGN IS BASED ON AASHTO HS 20 WHEEL LOADING

WATER TABLE IS AT 3'-0" BELOW GRADE FOR STANDARD STRUCTURAL DESIGN

THE STANDARD DESIGN IS BASED ON THE TOP AT FINISHED GRADE ELEVATION.

KNOCKOUTS, PIPE OPENINGS OR TERMINATORS CAN BE PROVIDED IN THE SIZE AND LOCATIONS REQUIRED.



APPROXIMATE SECTION WEIGHT 1200 LBS.

MINIMUM EXCAVATION 4'-8" x 5'-8"



Oldcastle Precast®

1900 Rilling Road San Antonio, TX 78214
Phone: (210) 923-4523 Fax: (210) 921-0473

23-H24

FILE NAME: 23H24.dwg

ISSUE DATE: March, 2005

www.oldcastlesanantonio.com

24"x36"x24" HANDHOLE

Copyright 2005 Oldcastle Precast All Rights Reserved