

ALL CONCRETE SHALL HAVE A 28 DAY COMPRESSIVE STRENGTH OF 4500 psi.

REINFORCING STEEL SHALL COMPLY WITH ASTM A615 GRADE 60, A706 GRADE 60 OR A497 GRADE 70. BAR BENDING AND PLACEMENT SHALL COMPLY WITH THE LATEST ACI STANDARDS

WATER TABLE IS AT 3'-0" BELOW GRADE FOR STANDARD STRUCTURAL DESIGN

THE STANDARD DESIGN IS BASED ON THE TOP AT GRADE AND THE BASE AT 8'-0" MAX. BELOW GRADE.

THE STRUCTURE SHALL BE PLACED ON A COMPACTED GRANULAR BASE TO INSURE UNIFORM DISTRIBUTION OF SOIL PRESSURES.

SPECIAL DESIGNS BASED ON OTHER LOADINGS OR DEEPER INSTALLATION DEPTHS ARE AVAILABLE ON REQUEST.

KNOCKOUTS OR PIPE OPENINGS OR CAN BE PROVIDED IN THE SIZE AND LOCATIONS REQUIRED.

TOP SECTION

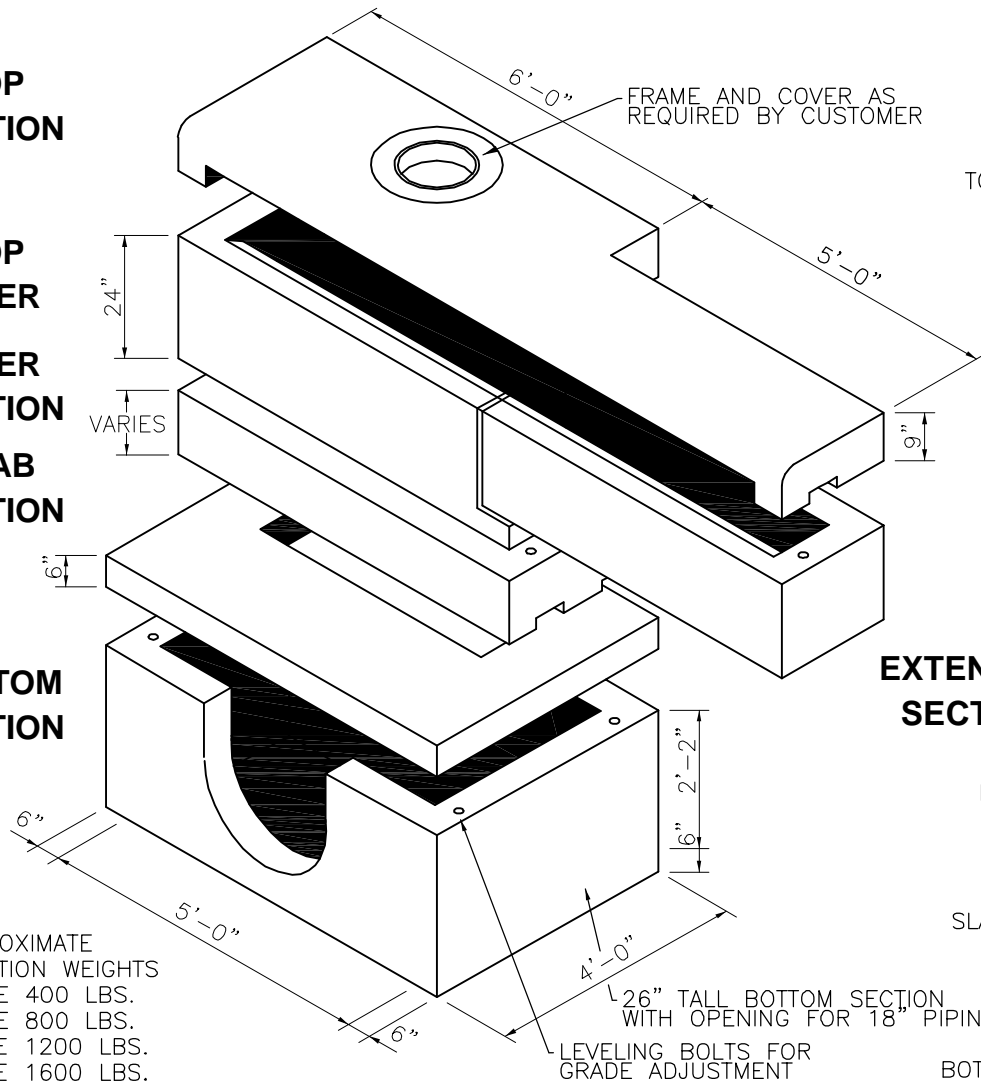
TOP RISER

RISER SECTION

SLAB SECTION

BOTTOM SECTION

EXTENSION SECTION



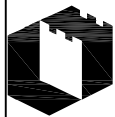
APPROXIMATE TOP SECTION WEIGHT
1-EXT. 2700 LBS.
2-EXT. 3400 LBS.

APPROXIMATE EXTENSION WEIGHT
1300 LBS. EACH

APPROXIMATE SLAB SECTION WEIGHTS
2000 LBS.

APPROXIMATE BOTTOM SECTION WEIGHT
4800 LBS.

APPROXIMATE RISER SECTION WEIGHTS
4" INSIDE 400 LBS.
8" INSIDE 800 LBS.
12" INSIDE 1200 LBS.
16" INSIDE 1600 LBS.
20" INSIDE 2000 LBS.
24" INSIDE 2400 LBS.



Oldcastle Precast

1900 Rilling Road San Antonio, TX 78214
Phone: (210) 923-4523 Fax: (210) 921-0473

C1-INL18-E

FILE NAME: C1118E.dwg

ISSUE DATE: March, 2005

www.oldcastlesanantonio.com

TYPE C-1 INLET FOR 18" PIPING WITH EXTENSIONS

Copyright 2005 Oldcastle Precast All Rights Reserved