

ALL CONCRETE SHALL HAVE A 28 DAY COMPRESSIVE STRENGTH OF 4500 psi.

REINFORCING STEEL SHALL COMPLY WITH ASTM A615 GRADE 60, A706 GRADE 60 OR A497 GRADE 70. BAR BENDING AND PLACEMENT SHALL COMPLY WITH THE LATEST ACI STANDARDS

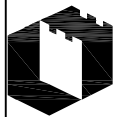
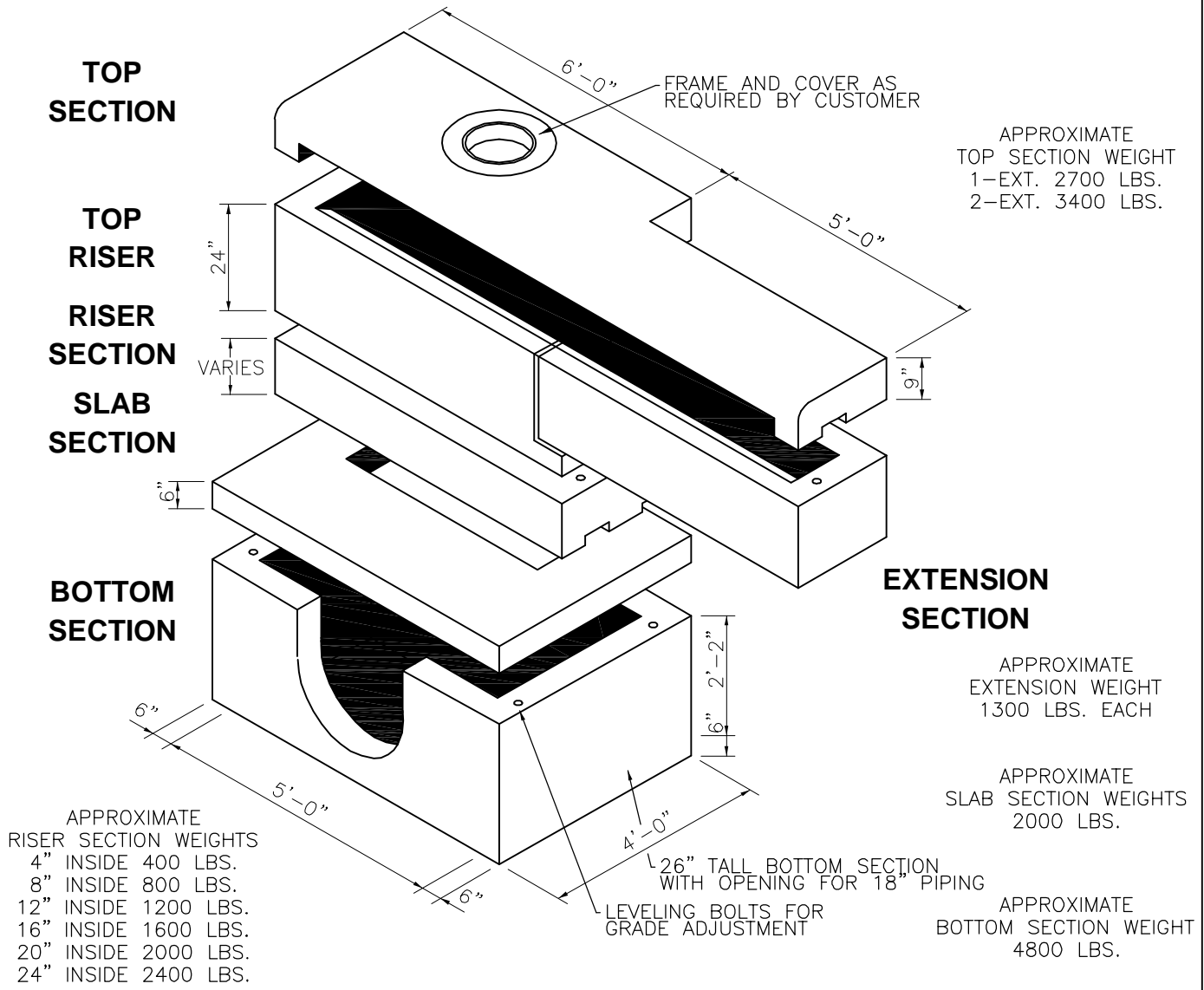
WATER TABLE IS AT 3'-0" BELOW GRADE FOR STANDARD STRUCTURAL DESIGN

THE STANDARD DESIGN IS BASED ON THE TOP AT GRADE AND THE BASE AT 8'-0" MAX. BELOW GRADE.

THE STRUCTURE SHALL BE PLACED ON A COMPACTED GRANULAR BASE TO INSURE UNIFORM DISTRIBUTION OF SOIL PRESSURES.

SPECIAL DESIGNS BASED ON OTHER LOADINGS OR DEEPER INSTALLATION DEPTHS ARE AVAILABLE ON REQUEST.

KNOCKOUTS OR PIPE OPENINGS OR CAN BE PROVIDED IN THE SIZE AND LOCATIONS REQUIRED.



Oldcastle Precast

1900 Rilling Road San Antonio, TX 78214
 Phone: (210) 923-4523 Fax: (210) 921-0473

C1-INL18-E

FILE NAME: C1118E.dwg
 ISSUE DATE: March, 2005
www.oldcastlesanantonio.com

TYPE C-1 INLET FOR 18" PIPING WITH EXTENSIONS

Copyright 2005 Oldcastle Precast All Rights Reserved