

ALL CONCRETE SHALL HAVE A 28 DAY COMPRESSIVE STRENGTH OF 4500 psi.

REINFORCING STEEL SHALL COMPLY WITH ASTM A615 GRADE 60, A706 GRADE 60 OR A497 GRADE 70. BAR BENDING AND PLACEMENT SHALL COMPLY WITH THE LATEST ACI STANDARDS

WATER TABLE IS AT 3'-0" BELOW GRADE FOR STANDARD STRUCTURAL DESIGN

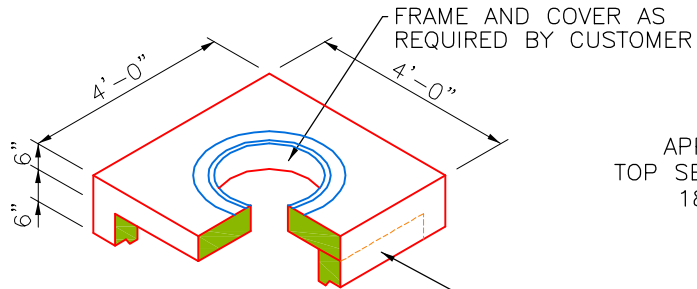
THE STANDARD DESIGN IS BASED ON THE TOP AT GRADE AND THE BASE AT 8'-0" MAX. BELOW GRADE.

THE STRUCTURE SHALL BE PLACED ON A COMPACTED GRANULAR BASE TO INSURE UNIFORM DISTRIBUTION OF SOIL PRESSURES.

SPECIAL DESIGNS BASED ON OTHER LOADINGS OR DEEPER INSTALLATION DEPTHS ARE AVAILABLE ON REQUEST.

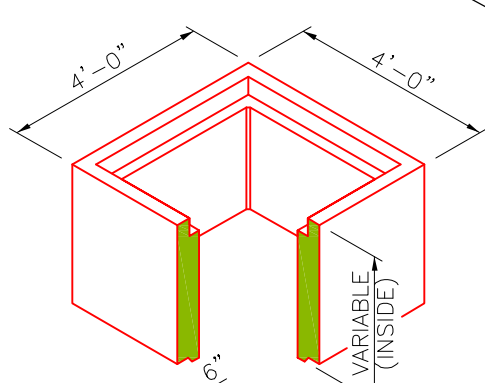
KNOCKOUTS OR PIPE OPENINGS OR CAN BE PROVIDED IN THE SIZE AND LOCATIONS REQUIRED.

TOP SECTION



APPROXIMATE TOP SECTION WEIGHT 1800 LBS.

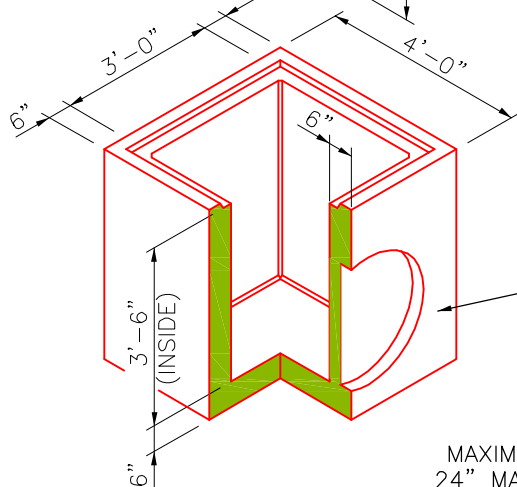
CENTER SECTION



OPPOSITE OR ALL SIDES OPEN AS REQUIRED

APPROXIMATE CENTER SECTION WEIGHTS
 2'-0" INSIDE 2200 LBS.
 2'-6" INSIDE 2700 LBS.
 3'-0" INSIDE 3200 LBS.
 3'-6" INSIDE 3700 LBS.
 4'-0" INSIDE 4300 LBS.

BOTTOM SECTION



APPROXIMATE BOTTOM WEIGHTS
 3'-6" INSIDE 4900 LBS.

MINIMUM EXCAVATION
 6'-0" x 6'-0"

THINWALL KNOCKOUTS LOCATION AS REQUIRED

MAXIMUM WIDTH OPENING IS 36" WITH 24" MAXIMUM WIDTH IN ADJACENT WALL.



1900 Rilling Road San Antonio, TX 78214
 Phone: (210) 923-4523 Fax: (210) 921-0473

Y33-INL6

FILE NAME: 33Y16.dwg

ISSUE DATE: March, 2005

www.oldcastlesanantonio.com

**3'-0" x 3'-0" -Y- INLET
 WITH 6" THROAT OPENING**

Copyright 2005 Oldcastle Precast All Rights Reserved