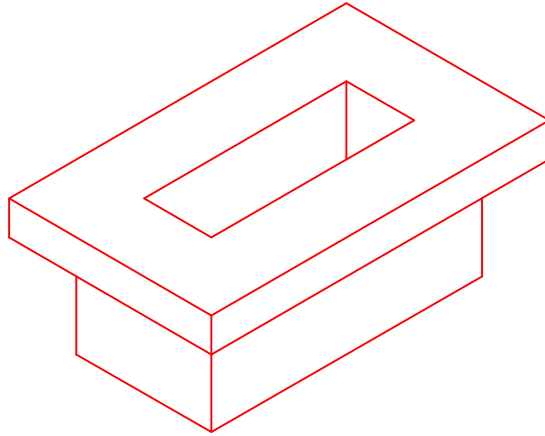
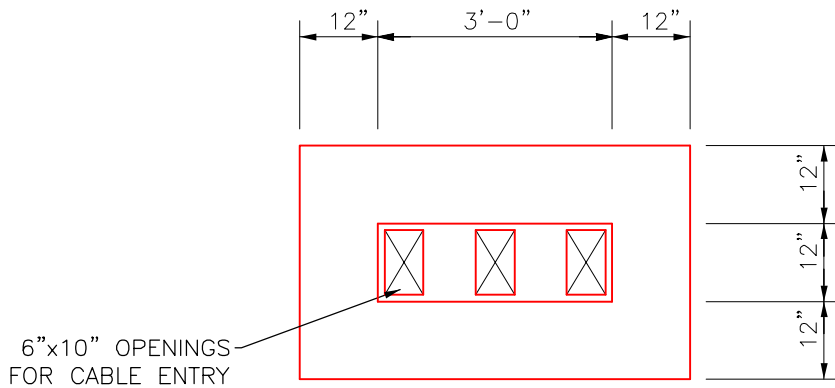


ALL CONCRETE SHALL HAVE A 28 DAY COMPRESSIVE STRENGTH OF 4500 psi.

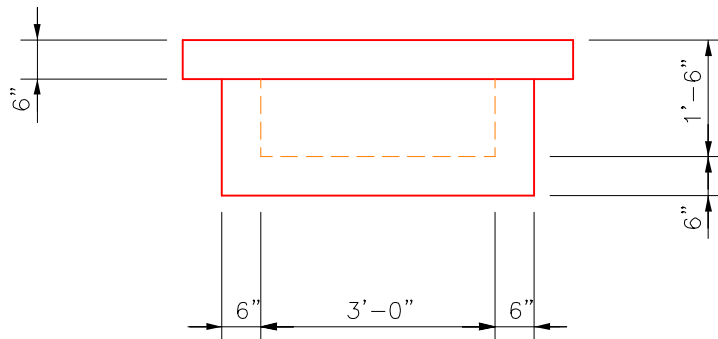
REINFORCING STEEL SHALL COMPLY WITH ASTM A615 GRADE 60, A706 GRADE 60 OR A497 GRADE 70. BAR BENDING AND PLACEMENT SHALL COMPLY WITH THE LATEST ACI STANDARDS



APPROXIMATE WEIGHT
2200 LBS.



PLAN



ELEVATION



Oldcastle Precast

1900 Rilling Road San Antonio, TX 78214
Phone: (210) 923-4523 Fax: (210) 921-0473

P35-ENCL

FILE NAME: 3X5SWP.dwg

ISSUE DATE: March, 2005

www.oldcastlesanantonio.com

3'x5' ENCLOSURE PAD

Copyright 2005 Oldcastle Precast All Rights Reserved