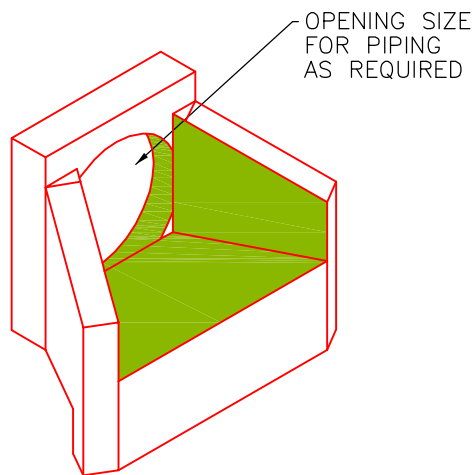
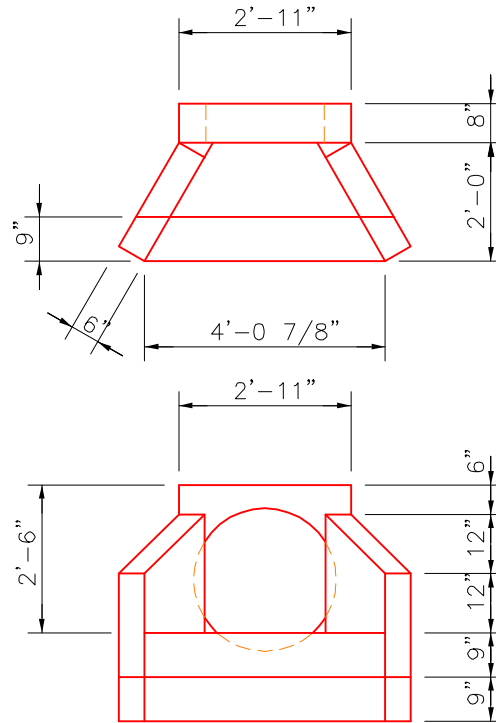


ALL CONCRETE SHALL HAVE A 28 DAY COMPRESSIVE STRENGTH OF 4500 psi.

REINFORCING STEEL SHALL COMPLY WITH ASTM A615 GRADE 60, A706 GRADE 60 OR A497 GRADE 70. BAR BENDING AND PLACEMENT SHALL COMPLY WITH THE LATEST ACI STANDARDS

WATER TABLE IS AT 3'-0" BELOW GRADE FOR STANDARD STRUCTURAL DESIGN

THE STRUCTURE SHALL BE PLACED ON A COMPACTED GRANULAR BASE TO INSURE UNIFORM DISTRIBUTION OF SOIL PRESSURES.



APPROXIMATE WEIGHT
2700 LBS.



Oldcastle Precast

1900 Rilling Road San Antonio, TX 78214
Phone: (210) 923-4523 Fax: (210) 921-0473

WW12D WW15D WW18D

FILE NAME: HEADWAL1.dwg

ISSUE DATE: March, 2005

www.oldcastlesanantonio.com

**HEADWALL FOR PIPE CULVERTS
12" 15" OR 18" PIPE SIZES**

Copyright 2005 Oldcastle Precast All Rights Reserved