

ALL CONCRETE SHALL HAVE A 28 DAY COMPRESSIVE STRENGTH OF 4500 psi.

REINFORCING STEEL SHALL COMPLY WITH ASTM A615 GRADE 60, A706 GRADE 60 OR A497 GRADE 70. BAR BENDING AND PLACEMENT SHALL COMPLY WITH THE LATEST ACI STANDARDS

WATER TABLE IS AT 3'-0" BELOW GRADE FOR STANDARD STRUCTURAL DESIGN

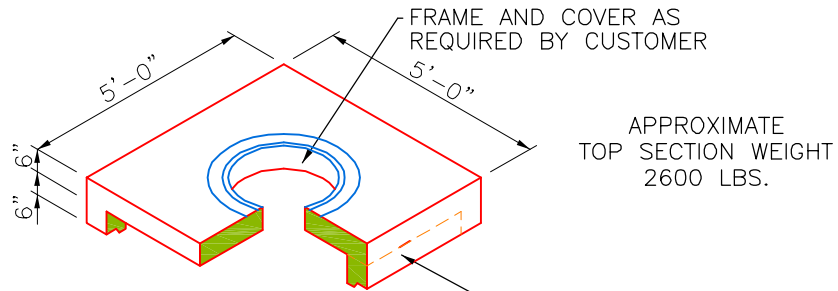
THE STANDARD DESIGN IS BASED ON THE TOP AT GRADE AND THE BASE AT 8'-0" MAX. BELOW GRADE.

THE STRUCTURE SHALL BE PLACED ON A COMPACTED GRANULAR BASE TO INSURE UNIFORM DISTRIBUTION OF SOIL PRESSURES.

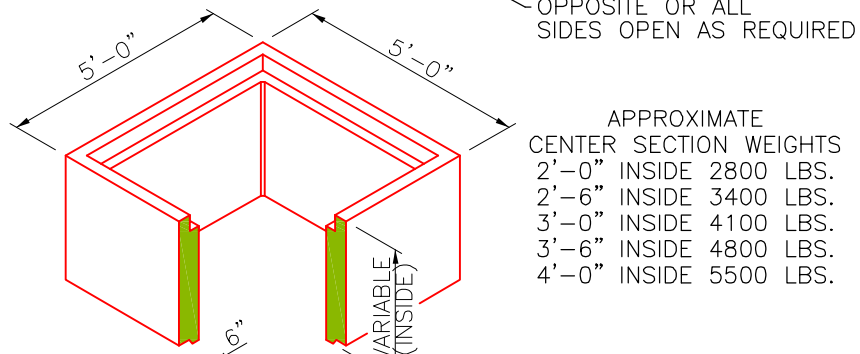
SPECIAL DESIGNS BASED ON OTHER LOADINGS OR DEEPER INSTALLATION DEPTHS ARE AVAILABLE ON REQUEST.

KNOCKOUTS OR PIPE OPENINGS OR CAN BE PROVIDED IN THE SIZE AND LOCATIONS REQUIRED.

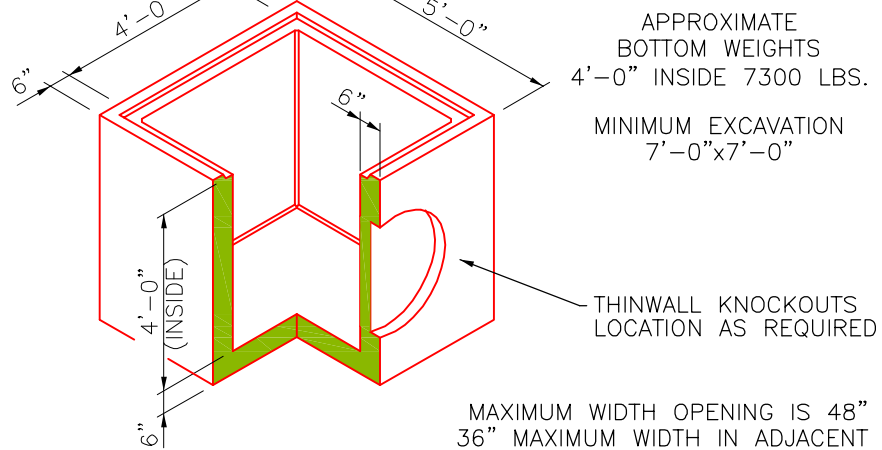
**TOP SECTION**



**CENTER SECTION**



**BOTTOM SECTION**



**Oldcastle Precast**

1900 Rilling Road San Antonio, TX 78214  
Phone: (210) 923-4523 Fax: (210) 921-0473

**Y44-INL6**

FILE NAME: 44Y16.dwg

ISSUE DATE: March, 2005

[www.oldcastlesanantonio.com](http://www.oldcastlesanantonio.com)

**4'-0"x4'-0" -Y- INLET  
WITH 6" THROAT OPENING**

Copyright 2005 Oldcastle Precast All Rights Reserved