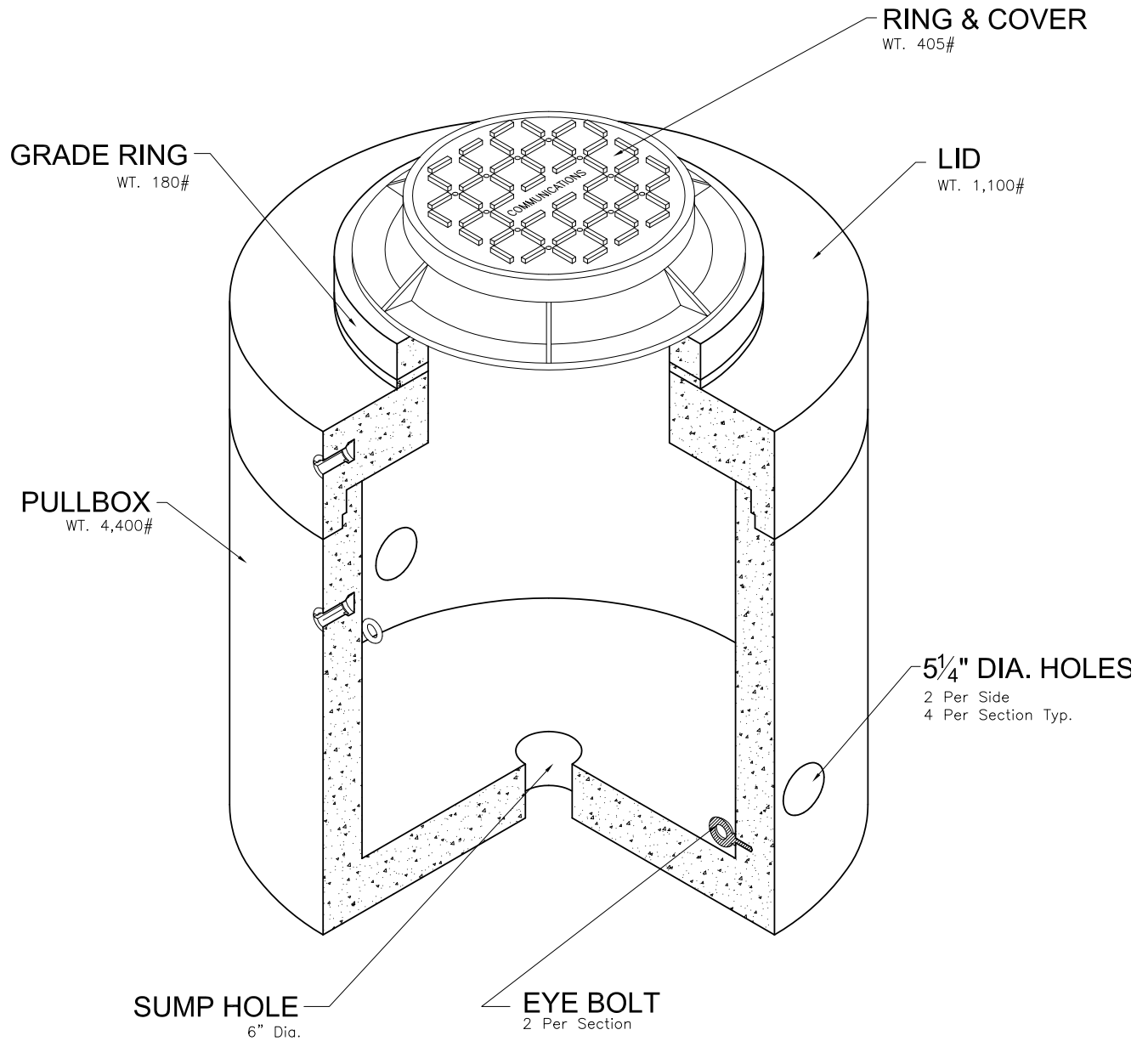


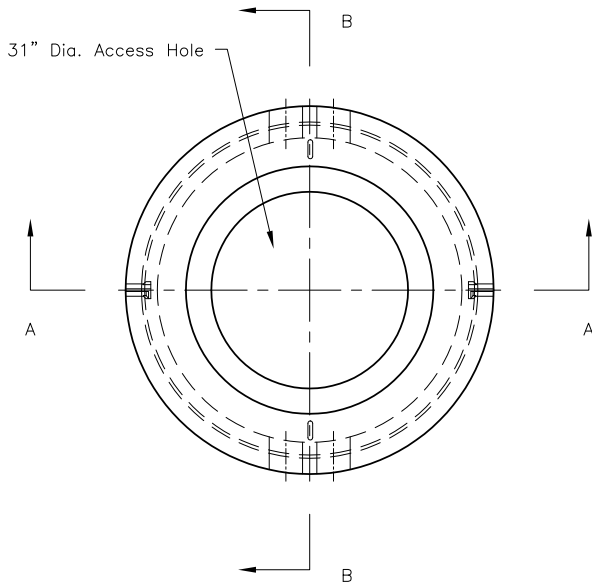
**48" Dia  
Pull Box**

48" Diameter Pull Box



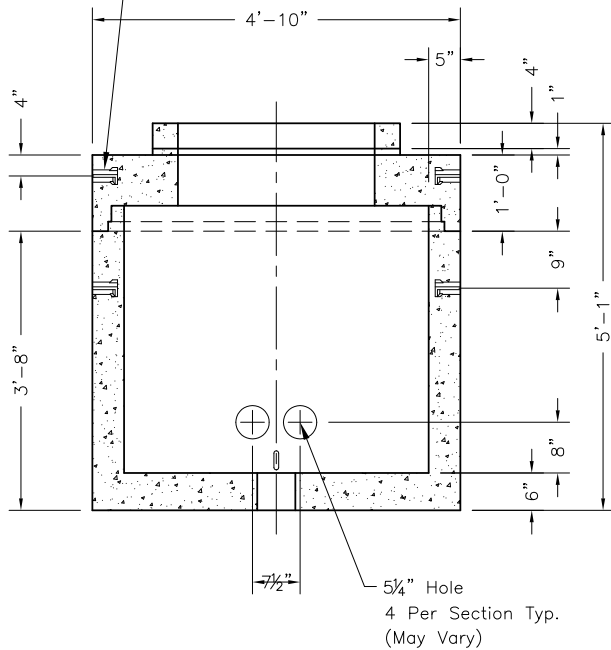
GENERAL NOTES:

Pullboxes are Designed to Meet ASTM C478 with AASHTO HS-20 Loading.

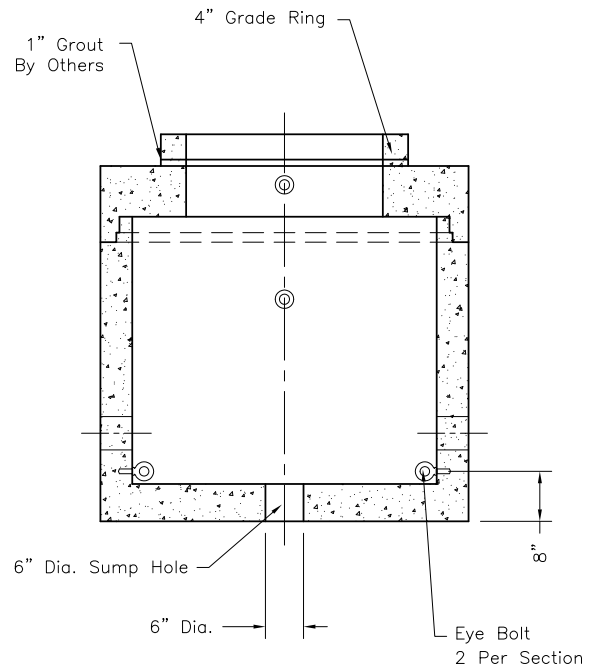


**PLAN VIEW**

Plastic Lifting Insert  
2 Per Lid  
2 Per Section



**SECTION A-A**



**SECTION B-B**

**Oldcastle Precast**  
801 West 12th Street  
Ogden, Utah 84404

Phone: (801) 399-1171  
Fax: (801) 392-7849

For more information about our products, please visit  
[oldcastleprecast.com](http://oldcastleprecast.com)

[oldcastleprecast.com](http://oldcastleprecast.com)