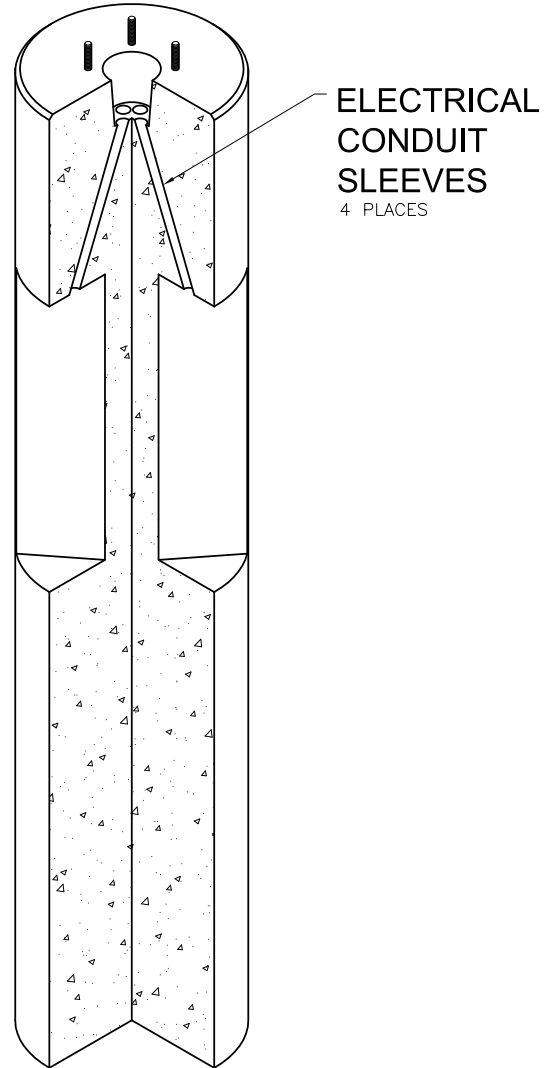
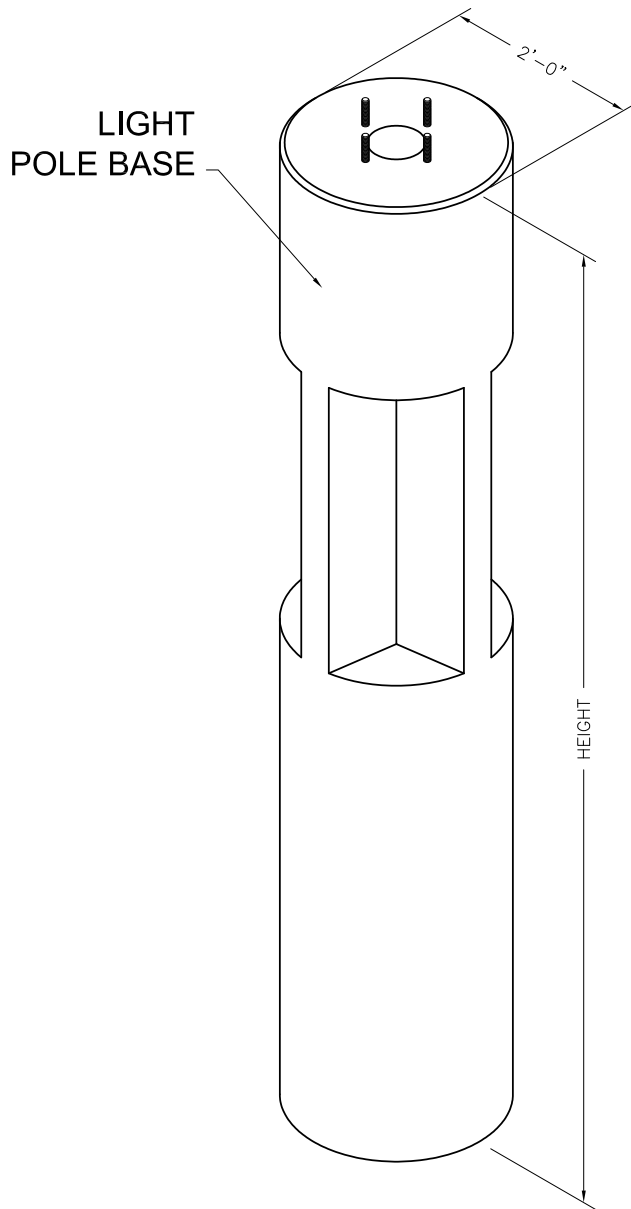
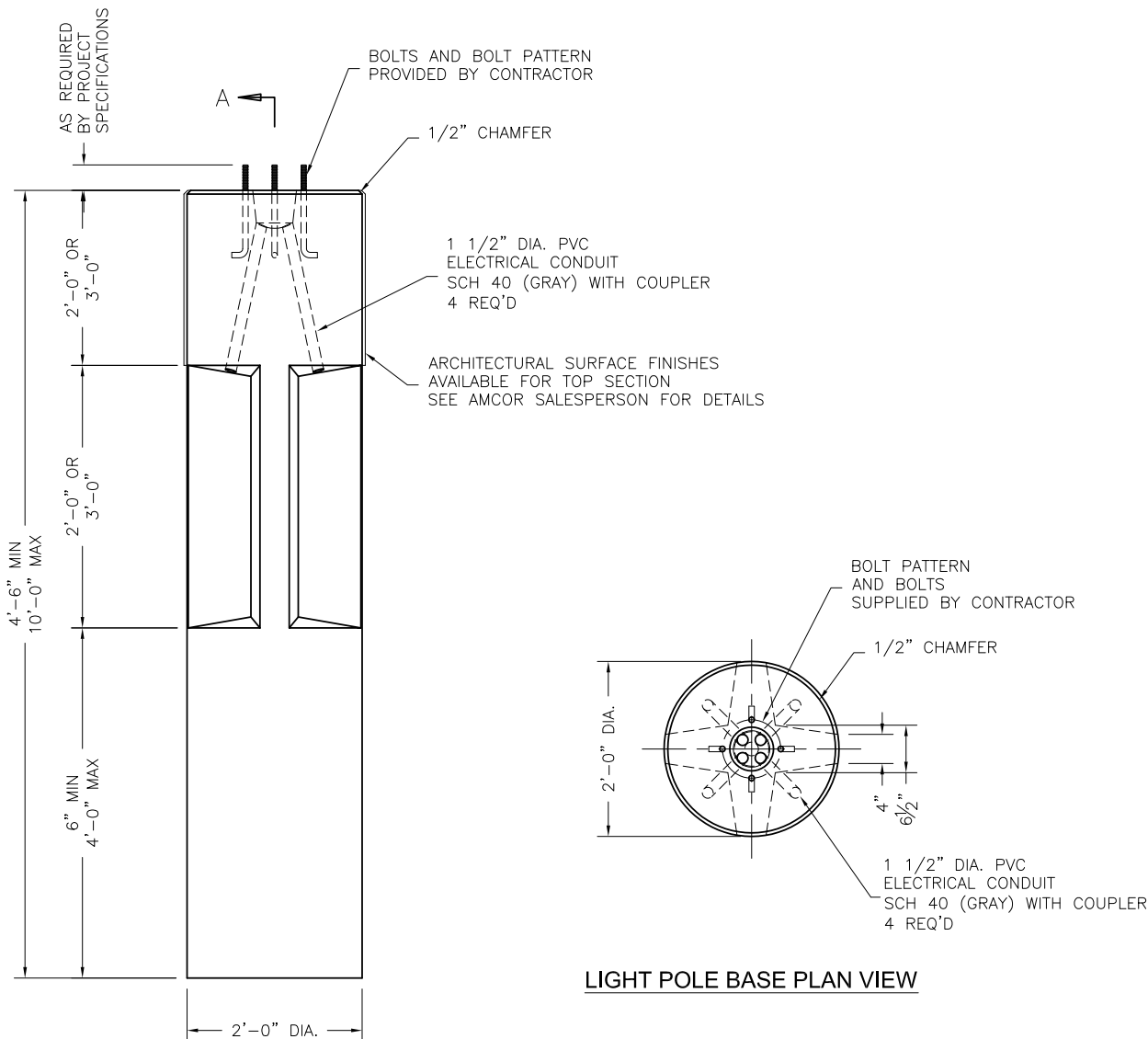


**24"
Pole
Base**

24" Light Pole Base
5'0" Min., 10'0" Max.



HEIGHT	WEIGHT
5'	2,138
6'	2,384
7'	2,617
8'	3,093
9'	3,627
10'	4,047



LIGHT POLE BASE ELEVATION VIEW

LIGHT POLE BASE PLAN VIEW

Oldcastle Precast
801 West 12th Street
Ogden, Utah 84404

Phone: (801) 399-1171
Fax: (801) 392-7849

For more information about our products, please visit
oldcastleprecast.com

oldcastleprecast.com