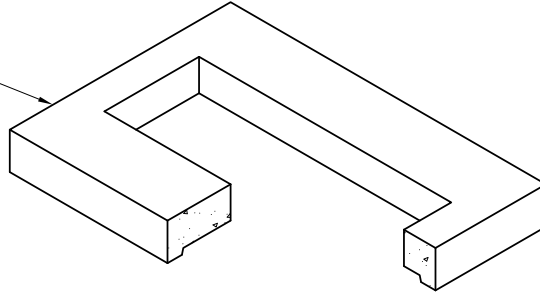


**2'6"x4'
Vault**

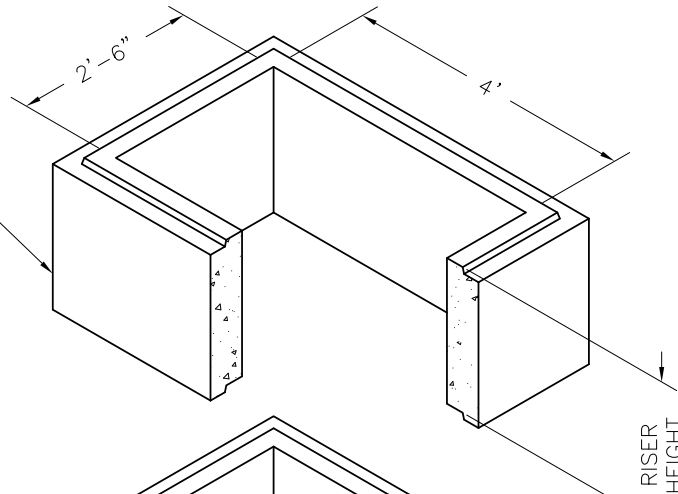
2'6"x4' Utility Vault
Bases, Risers and Top



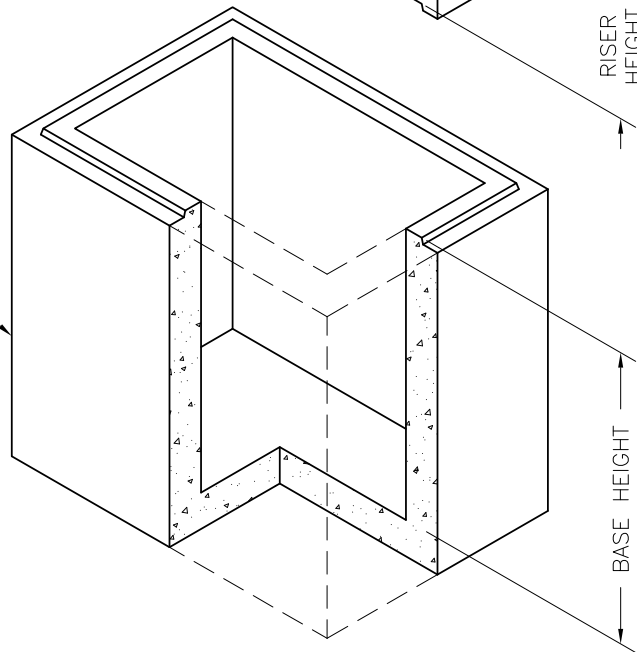
2'-6" X 4' LID
WT. 1,179 #



2'-6" X 4' RISER

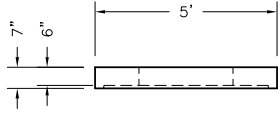


2'-6" X 4' BASE

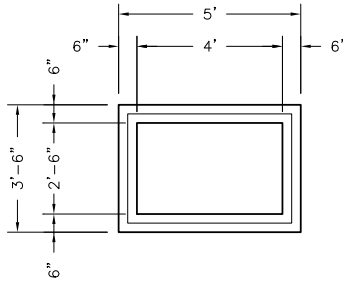


WEIGHTS		
HEIGHT	BASE	RISER
6"		563 #
1'		1,127 #
2'		2,254 #
3'	4,060 #	3,381 #
4'	4,743 #	4,508 #
5'	5,867 #	5,625 #

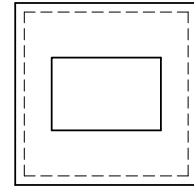
NOTES:
1. Vault design complies with ASTM C-857 and C-858 with less than 2' of earth cover and an AASHTO HS-20 loading.
2. Lifting insert type and location may change without notice.



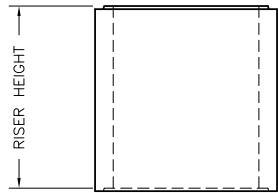
2'-6"x4' VAULT LID
ELEVATION VIEW



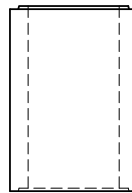
2'-6"x4' VAULT BASE / RISER
PLAN VIEW



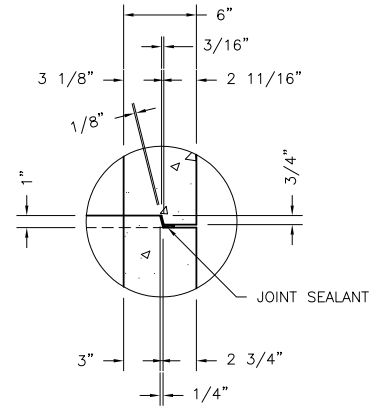
2'-6"x4' VAULT LID
PLAN VIEW
2'x3' OPENING CENTER/OFFSET
18"x48" OPENING CENTER/OFFSET



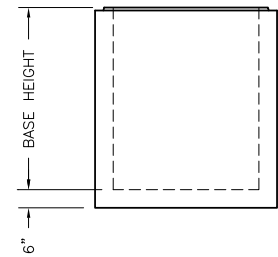
2'-6"x4' VAULT RISER
ELEVATION VIEW



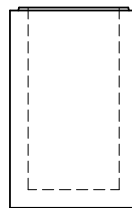
2'-6"x4' VAULT RISER
ELEVATION VIEW



JOINT DETAIL



2'-6"x4' VAULT BASE
ELEVATION VIEW



2'-6"x4' VAULT BASE
ELEVATION VIEW

Oldcastle Precast
801 West 12th Street
Ogden, Utah 84404

Phone: (801) 399-1171
Fax: (801) 392-7849

For more information about our products, please visit
oldcastleprecast.com

oldcastleprecast.com