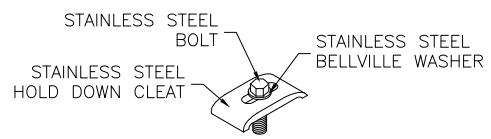
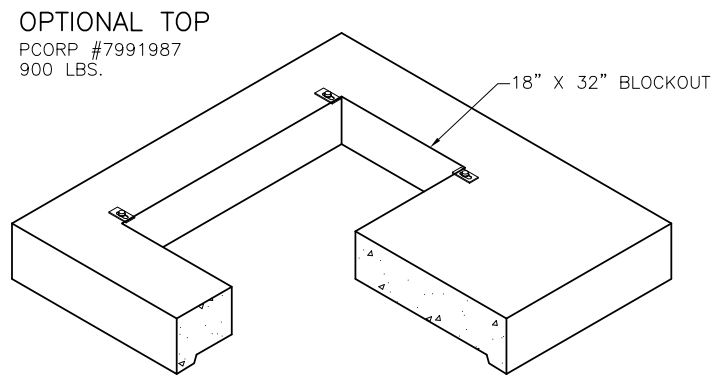
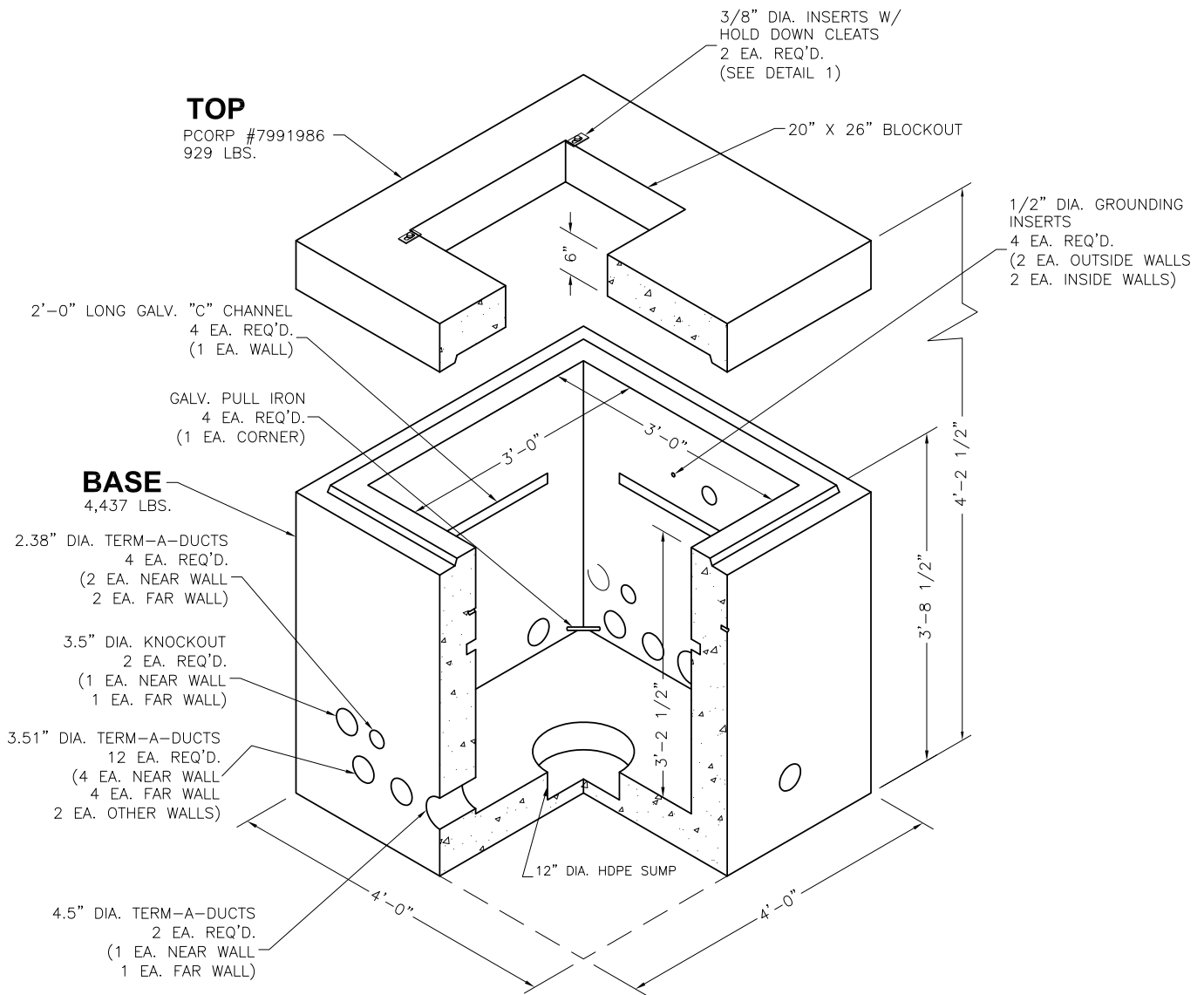
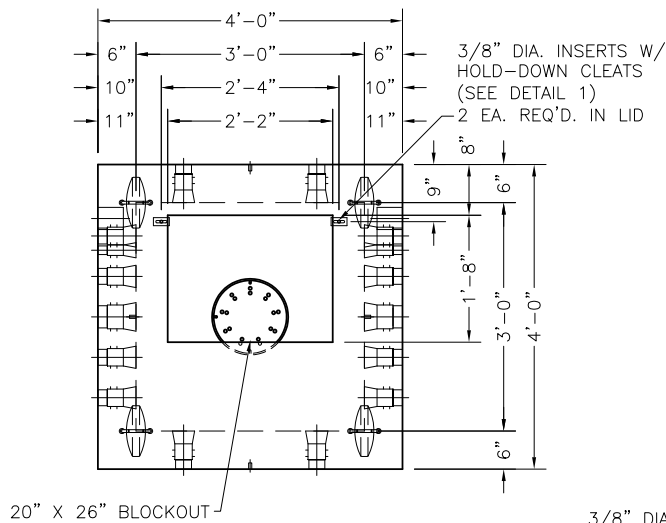


SINGLE PHASE TRANSFORMER PADVAULT, STOCK ITEM 7991986
SINGLE PHASE SECTIONALIZING CABINET PADVAULT, STOCK ITEM 7991987

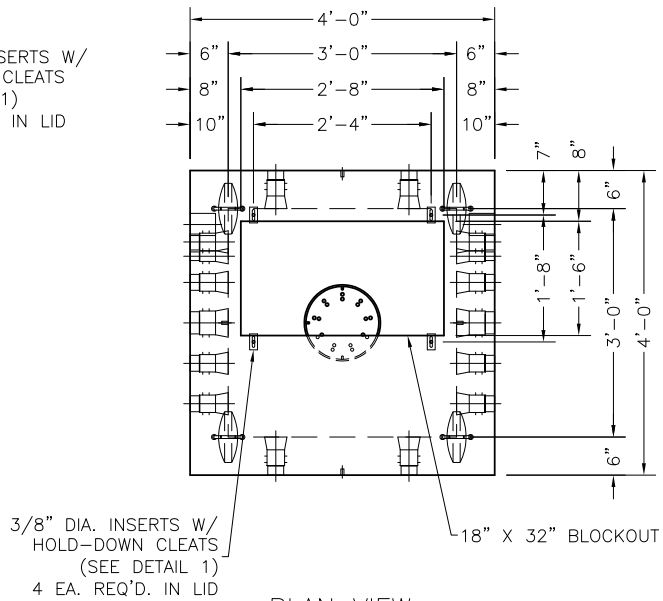


**HOLD DOWN CLEAT
DETAIL 1**

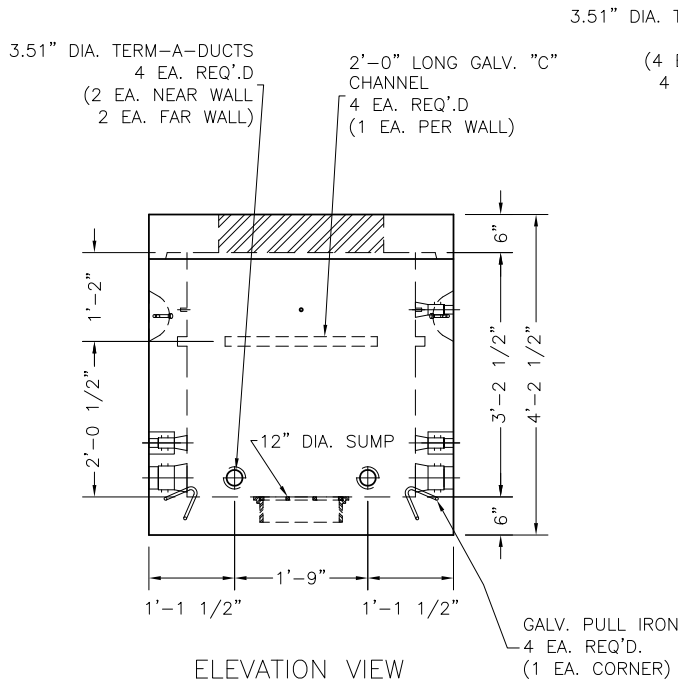
- 1 1/4" X 2 1/2" STAINLESS STEEL HOLD-DOWN CLEAT - 2 REQ'D.
- 3/8" X 1 1/4" STAINLESS STEEL BOLT - 2 REQ'D.
- 3/8" STAINLESS STEEL BELLVILLE WASHER - 2 REQ'D.



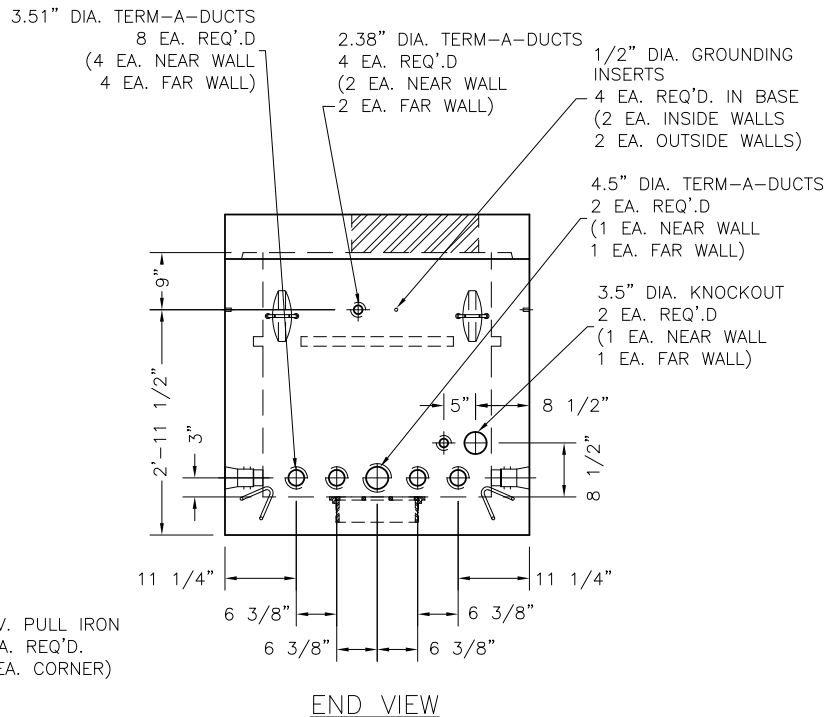
PLAN VIEW
SINGLE PHASE TRANSFORMER TOP
PCORP #7991986



PLAN VIEW
SINGLE PHASE SECTIONALIZING CABINET
PCORP #7991987



ELEVATION VIEW



END VIEW

*LIFTING DEVICE TYPE & LOCATION
MAY CHANGE WITHOUT NOTICE.

Oldcastle Precast
801 West 12th Street
Ogden, Utah 84404

Phone: (801) 399-1171
Fax: (801) 392-7849

For more information about our products, please visit
oldcastleprecast.com

oldcastleprecast.com