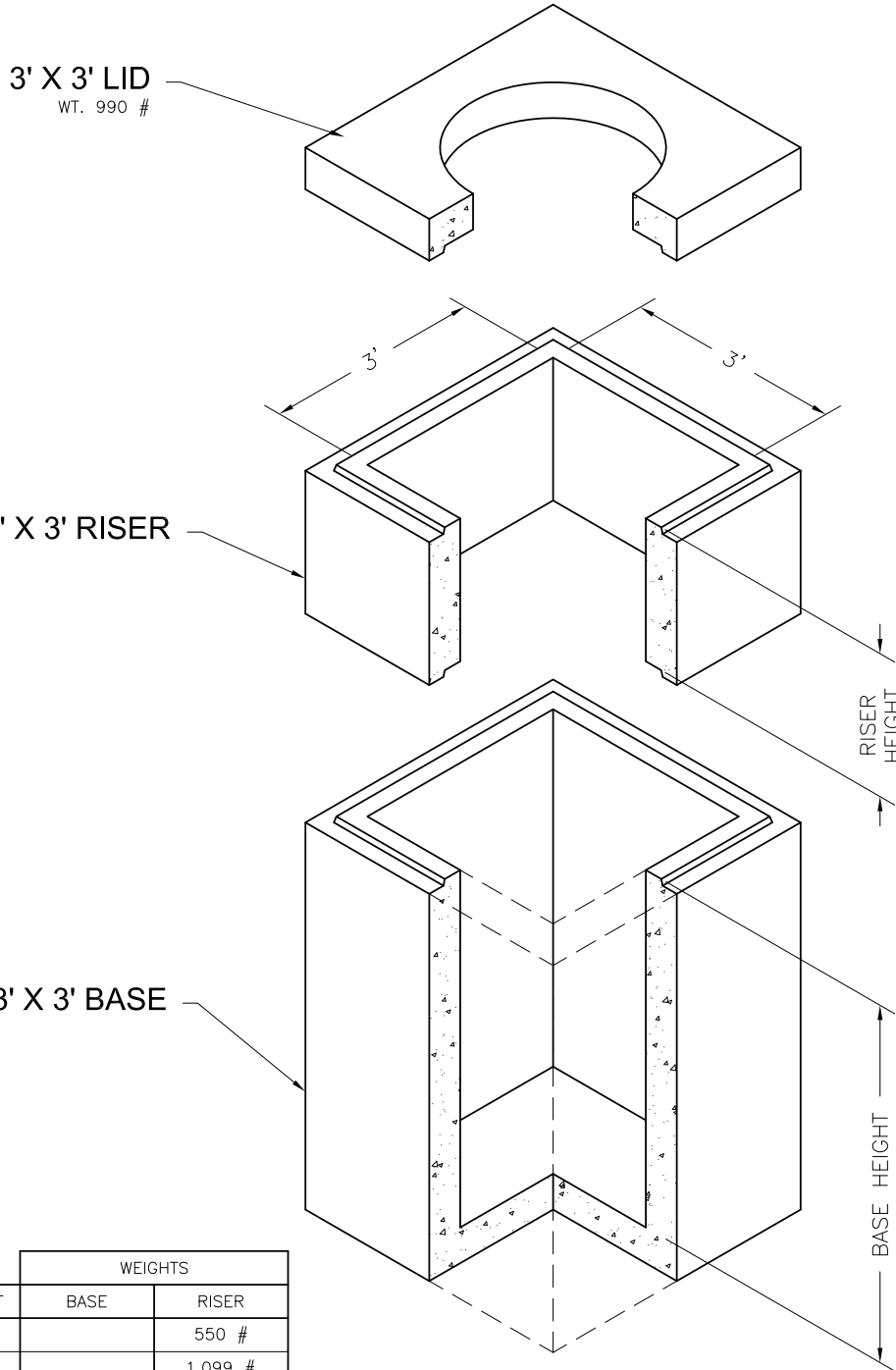


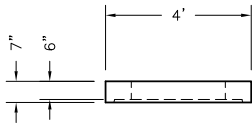
3'x3' Vault

3'x3' Utility Vault
Bases, Risers and Lid

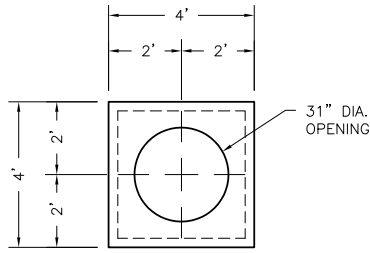


WEIGHTS		
HEIGHT	BASE	RISER
6"		550 #
1'		1,099 #
2'		2,198 #
3'	3,171 #	3,297 #
4'	4,796 #	4,207 #
5'	5,896 #	5,259 #
6'	6,994 #	7,694 #

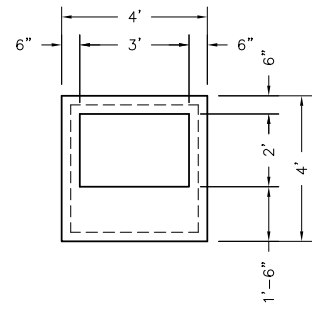
NOTES:
 1. Vault design complies with ASTM C-857 and C-858 with less than 2' of earth cover and an AASHTO HS-20 loading.
 2. Lifting insert type and location may change without notice.



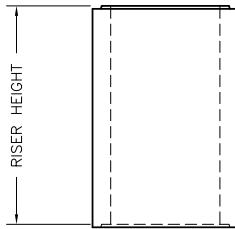
3'x3' VAULT LID
ELEVATION VIEW



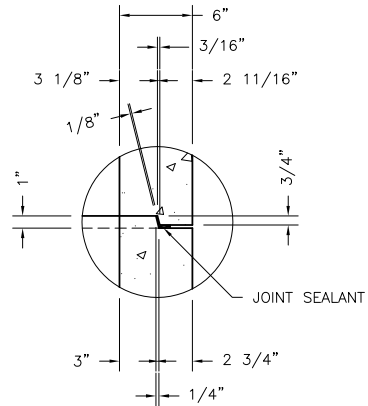
3'x3' VAULT LID
PLAN VIEW
31" OPENING



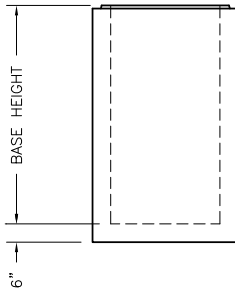
3'x3' VAULT LID
PLAN VIEW
2'x3' OPENING CENTER/OFFSET



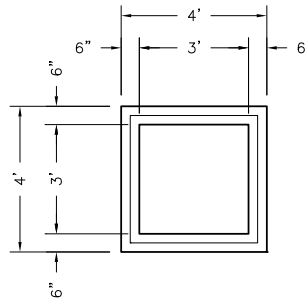
3'x3' VAULT RISER
ELEVATION VIEW



JOINT DETAIL



3'x3' VAULT BASE
ELEVATION VIEW



3'x3' VAULT BASE / RISER
PLAN VIEW

Oldcastle Precast
801 West 12th Street
Ogden, Utah 84404

Phone: (801) 399-1171
Fax: (801) 392-7849

For more information about our products, please visit
oldcastleprecast.com

oldcastleprecast.com