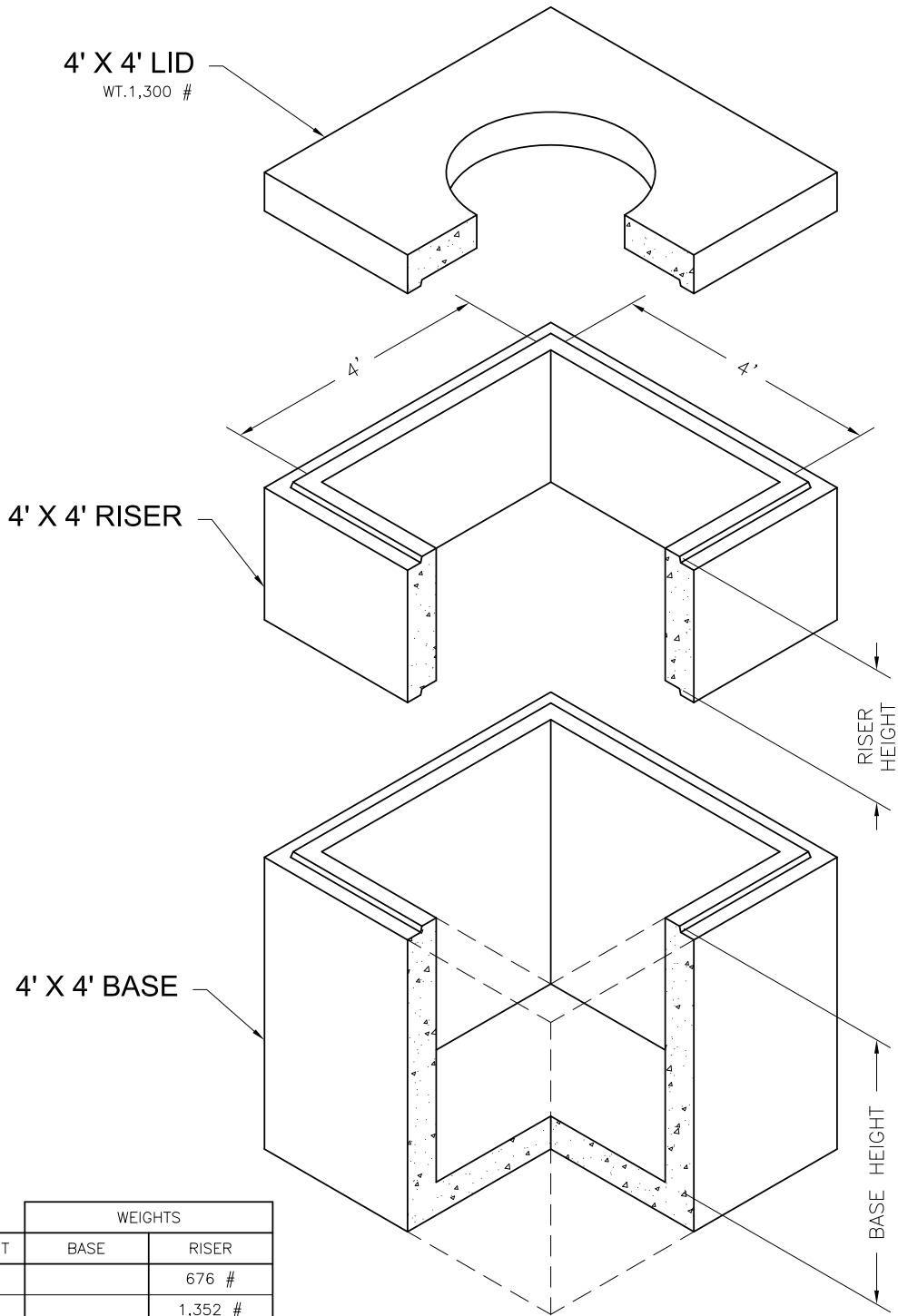


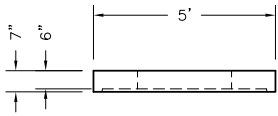
4'x4' Vault

4'x4' Utility Vault
Bases, Risers and Lid

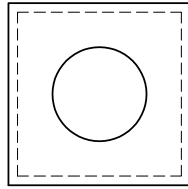


HEIGHT	WEIGHTS	
	BASE	RISER
6"		676 #
1'		1,352 #
2'		2,704 #
3'	4,882 #	4,056 #
4'	5,865 #	5,409 #
5'	7,215 #	6,750 #
6'	8,565 #	8,114 #

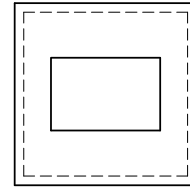
NOTES:
 1. Vault design complies with ASTM C-857 and C-858 with less than 2' of earth cover and an AASHTO HS-20 loading.
 2. Lifting insert type and location may change without notice.



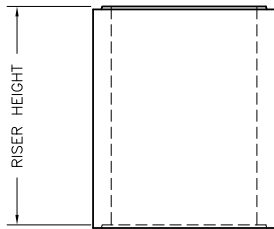
**4'x4' VAULT LID
ELEVATION VIEW**



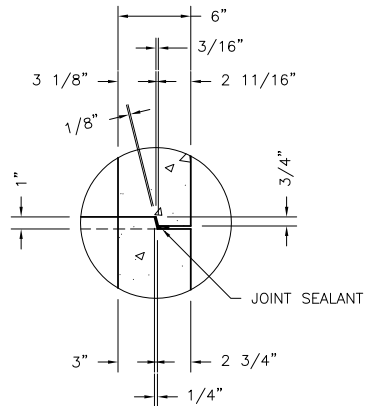
**4'x4' VAULT LID
PLAN VIEW
31" OPENING CENTER/OFFSET**



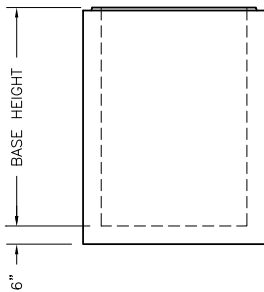
**4'x4' VAULT LID
PLAN VIEW
2'x3' OPENING CENTER/OFFSET
18"x48" OPENING CENTER/OFFSET**



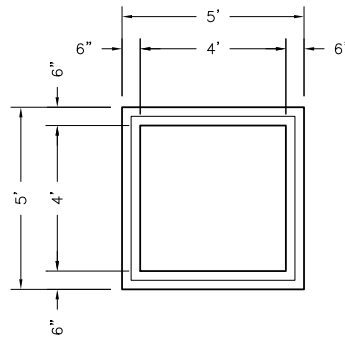
**4'x4' VAULT RISER
ELEVATION VIEW**



JOINT DETAIL



**4'x4' VAULT BASE
ELEVATION VIEW**



**4'x4' VAULT BASE / RISER
PLAN VIEW**

Oldcastle Precast
801 West 12th Street
Ogden, Utah 84404

Phone: (801) 399-1171
Fax: (801) 392-7849

For more information about our products, please visit
oldcastleprecast.com

oldcastleprecast.com