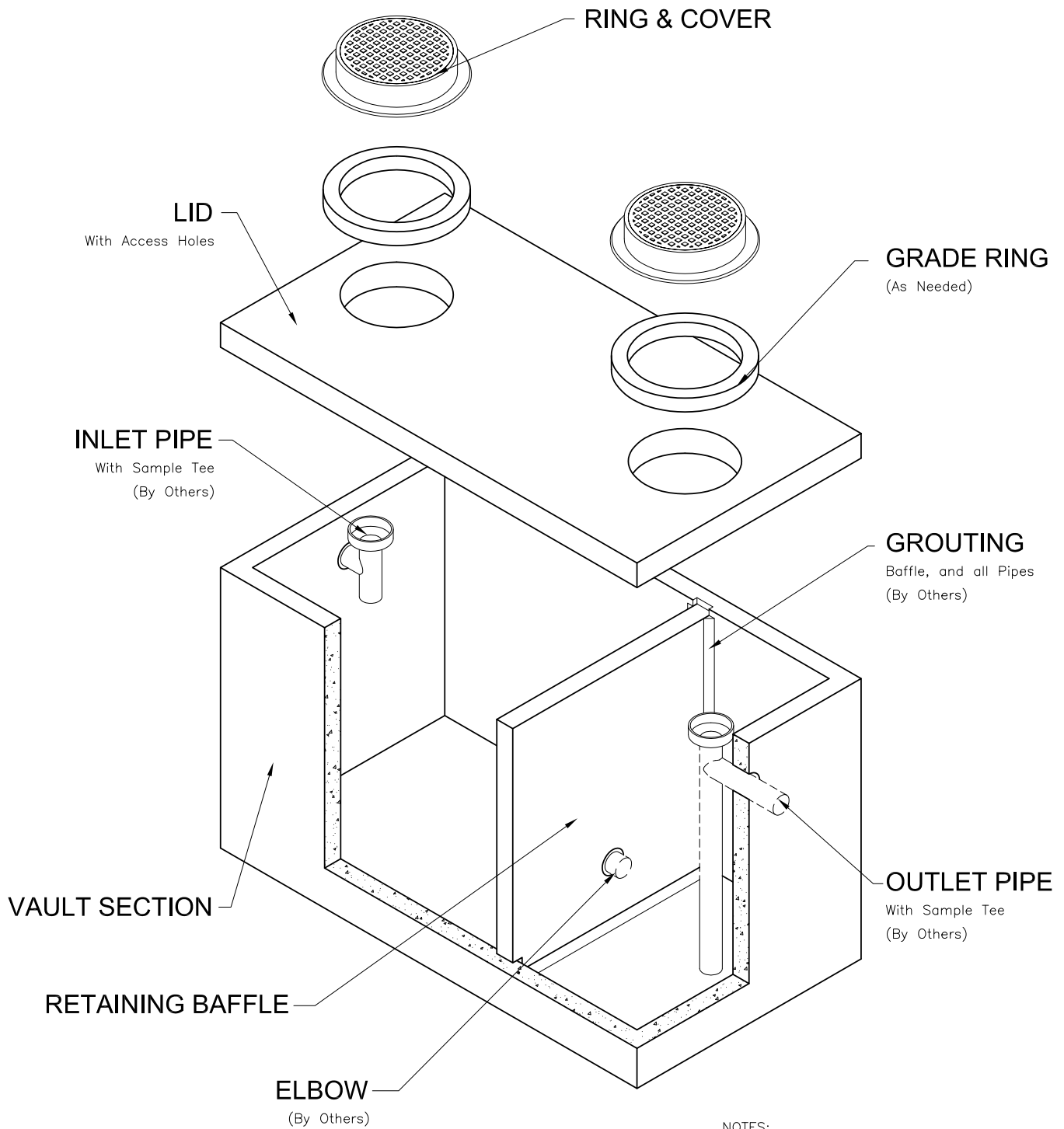
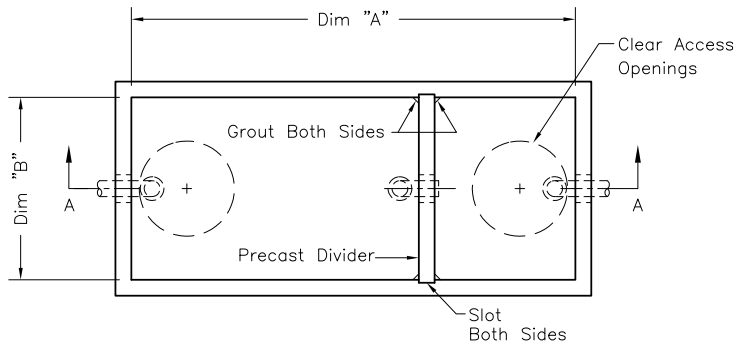


Grease Trap

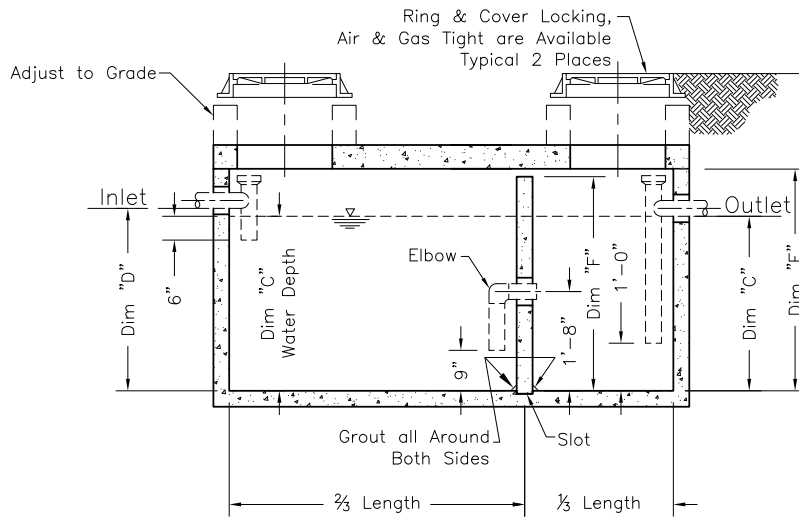
Grease Trap
430 to 5,000 Gallon



- NOTES:
1. Vault design complies with ASTM C-857 and C-858 with less than 2' of earth cover and an AASHTO HS-20 loading.
 2. Contractor to grout baffles in place.
 3. Contractor to fill all lift insert recesses with grout prior to backfill.
 4. Contractor must fill the Separator unit with clean water before it is put into service.
 5. Lifting insert type and location may change without notice.



PLAN VIEW



SECTION VIEW AA

Gallon Capacity	430	890	1375	1800	2175	2550	5000
Dim "A"	6'-0"	8'-0"	12'-0"	10'-0"	12'-0"	14'-0"	14'-0"
Dim "B"	4'-0"	6'-0"	6'-0"	8'-0"	8'-0"	8'-0"	8'-0"
Water Depth	Dim "C"	2'-8"	2'-8"	2'-8"	3'-2"	3'-2"	3'-2"
Dim "D"	2'-10"	2'-10"	2'-10"	3'-4"	3'-4"	3'-4"	7'-4"
Dim "E"	3'-6"	3'-6"	3'-6"	4'-0"	4'-0"	4'-0"	8'-0"
Dim "F"	3'-4"	3'-4"	3'-4"	3'-10"	3'-10"	3'-10"	7'-10"
Weight	12,760	20,510	27,740	31,485	35,980	40,475	43,840

DESIGN CRITERIA:

Uniform Plumbing Code – Appendix H

Number of Wastes Capacity

Oldcastle Precast
801 West 12th Street
Ogden, Utah 84404

Phone: (801) 399-1171
Fax: (801) 392-7849

For more information about our products, please visit
oldcastleprecast.com

oldcastleprecast.com