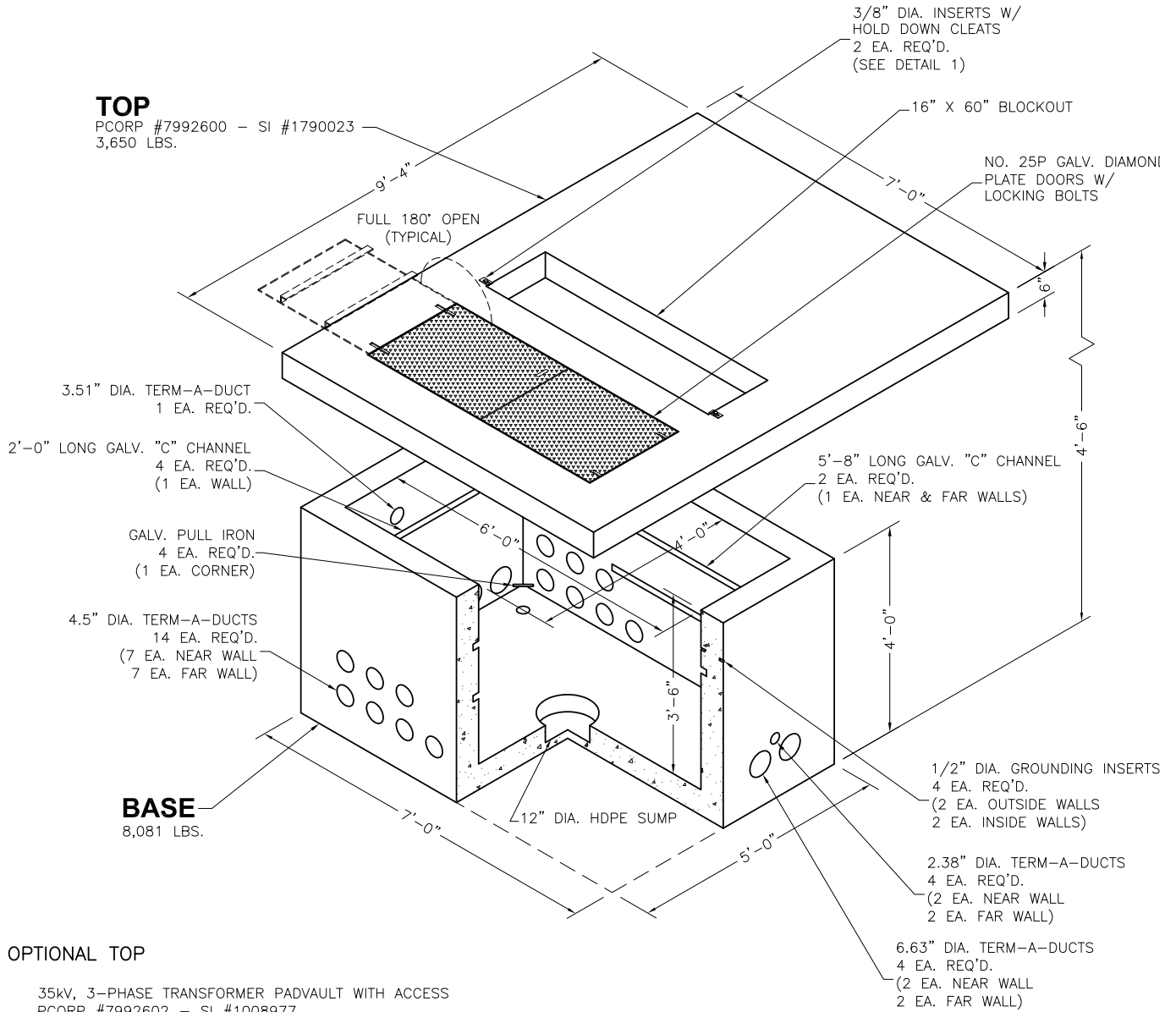


**GV 151**

**4'x6' Padvault  
Three Phase Transformer  
Pacifcorp**

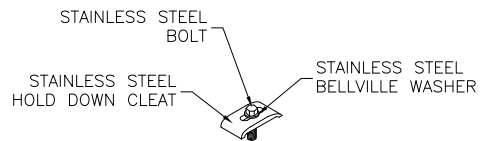
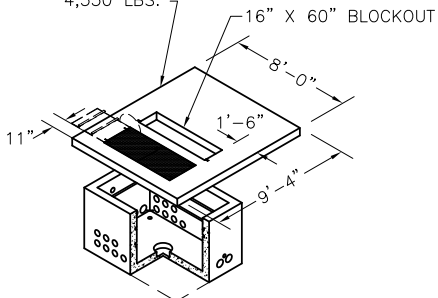


2.4 - 25KV, 3-PHASE TRANSFORMER PADVAULT WITH ACCESS, STOCK ITEM 7992600 - STOCK ITEM 1790023  
35KV, 3-PHASE TRANSFORMER PADVAULT WITH ACCESS, STOCK ITEM 7992602 - STOCK ITEM 1008977



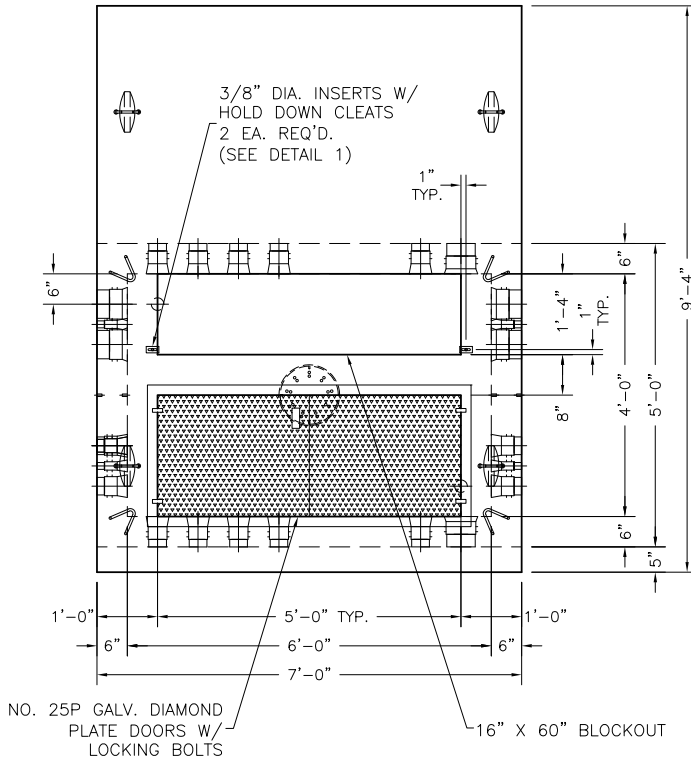
**OPTIONAL TOP**

35KV, 3-PHASE TRANSFORMER PADVAULT WITH ACCESS  
PCORP #7992602 - SI #1008977  
4,350 LBS.



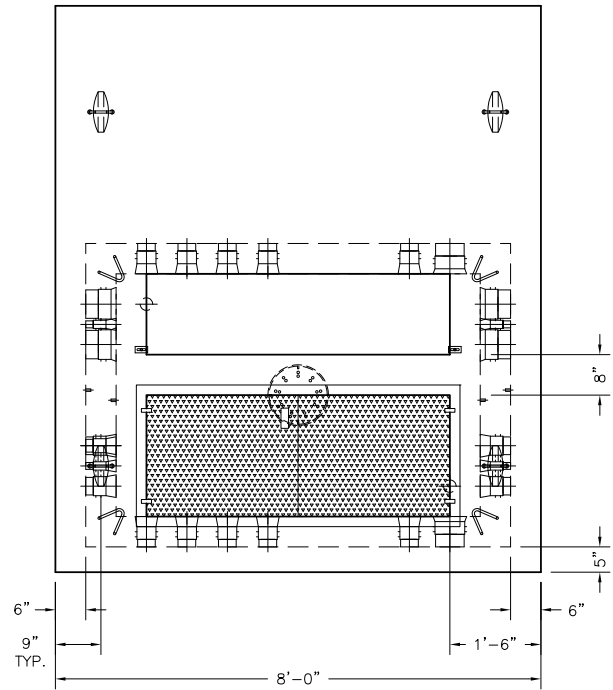
**HOLD DOWN CLEAT  
DETAIL 1**

- 1 1/4" X 2 1/2" STAINLESS STEEL HOLD-DOWN CLEAT - 2 REQ'D.
- 3/8" X 1 1/4" STAINLESS STEEL BOLT - 2 REQ'D.
- 3/8" STAINLESS STEEL BELLVILLE WASHER - 2 REQ'D.



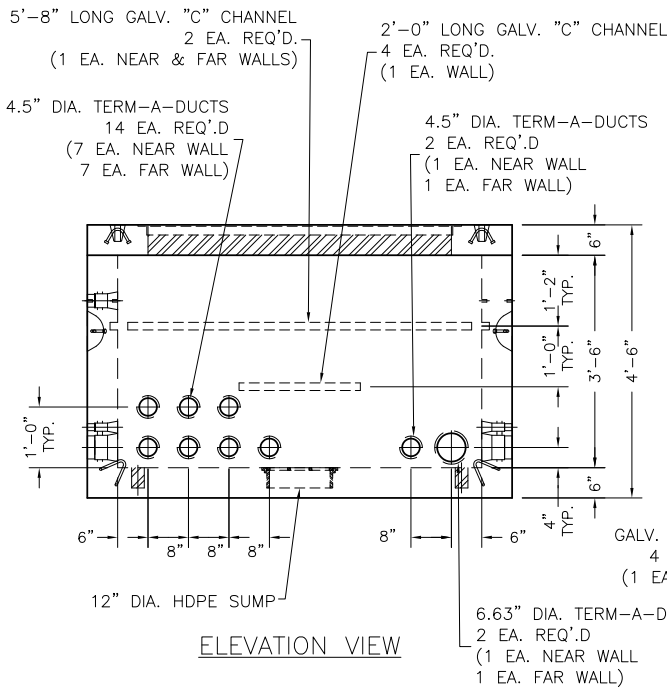
**PLAN VIEW**

2.4-25 kV, 3-PHASE TRANSFORMER PADVAULT WITH ACCESS  
PCORP #7992600 - SI #1790023

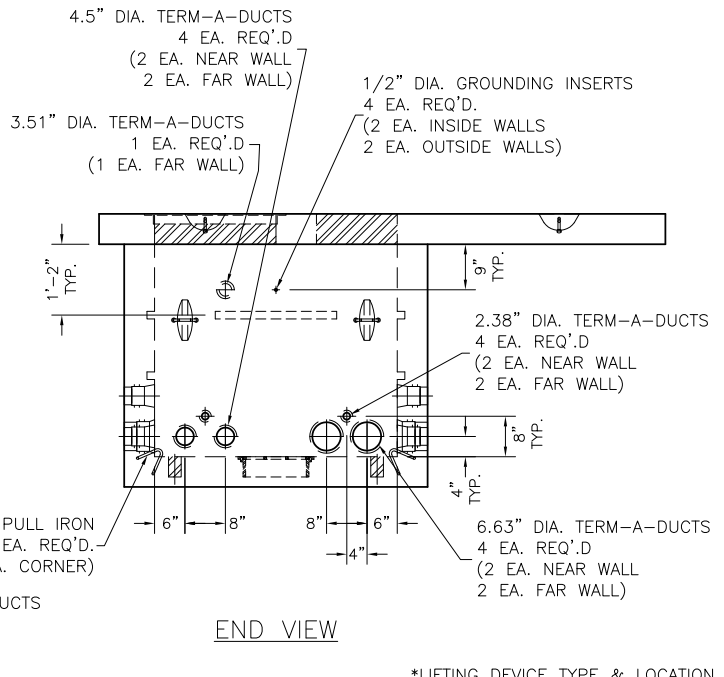


**PLAN VIEW**

35 kV, 3-PHASE TRANSFORMER PADVAULT WITH ACCESS  
PCORP #7992602 - SI #1008977



**ELEVATION VIEW**



**END VIEW**

\*LIFTING DEVICE TYPE & LOCATION  
MAY CHANGE WITHOUT NOTICE

**Oldcastle Precast**  
801 West 12th Street  
Ogden, Utah 84404

Phone: (801) 399-1171  
Fax: (801) 392-7849

For more information about our products, please visit  
[oldcastleprecast.com](http://oldcastleprecast.com)

[oldcastleprecast.com](http://oldcastleprecast.com)