

# GV 221

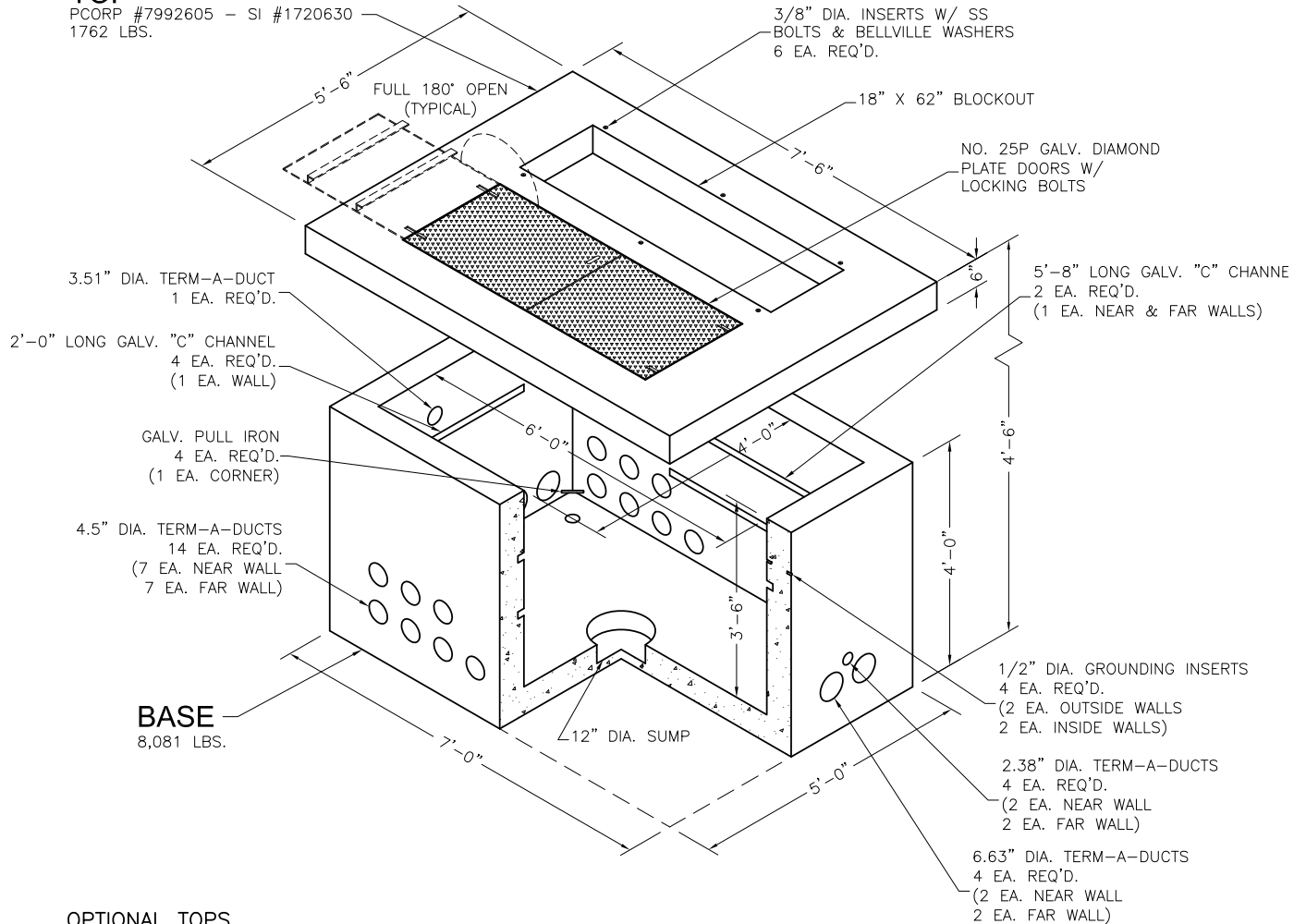
## 4'x6' Padvault 3 Phase Sectionalizing Cab. Pacifcorp



15kV, 3-PHASE TRANSFORMER SECTIONALIZING CABINET PADVAULT, STOCK ITEM 7992605 - STOCK ITEM 1720630  
 25kV, 3-PHASE TRANSFORMER SECTIONALIZING CABINET PADVAULT, STOCK ITEM 7992606 - STOCK ITEM 1008972  
 35kV, 3-PHASE TRANSFORMER SECTIONALIZING CABINET PADVAULT, STOCK ITEM 7992607 - STOCK ITEM 1008972

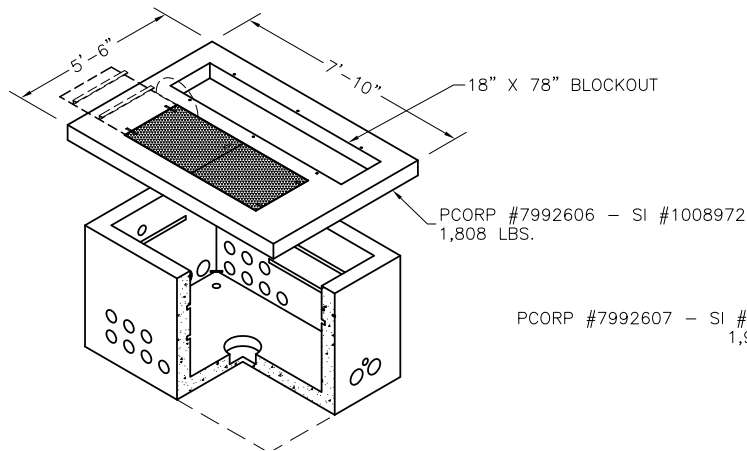
### TOP

PCORP #7992605 - SI #1720630  
1762 LBS.

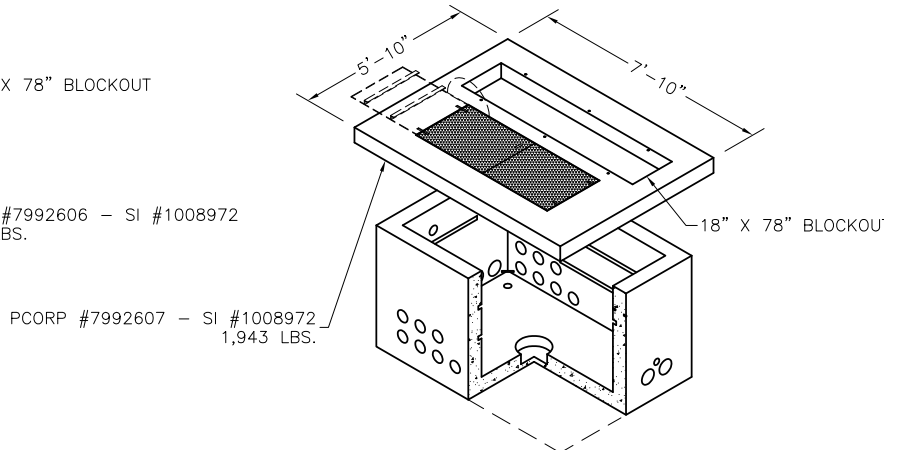


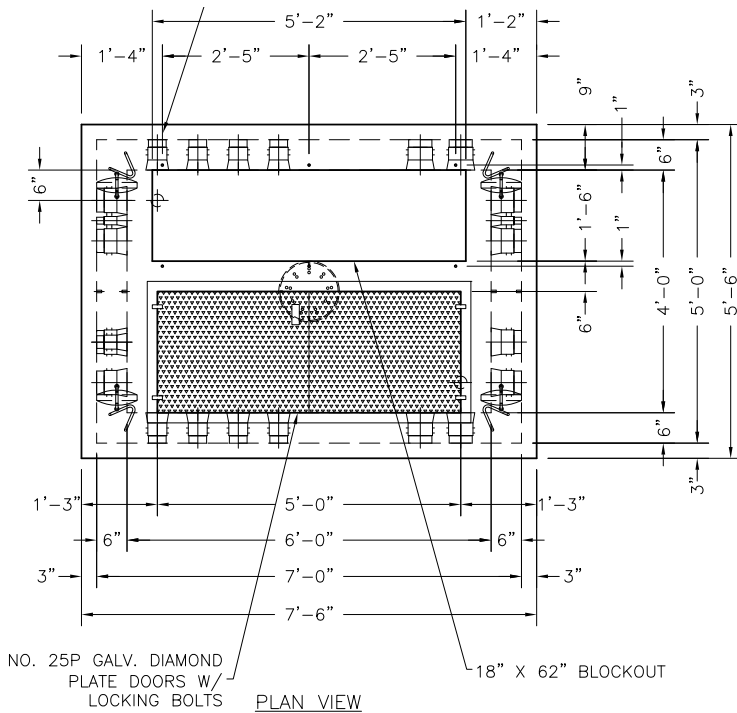
### OPTIONAL TOPS

25kV, 3-PHASE SECTIONALIZING CABINET PADVAULT

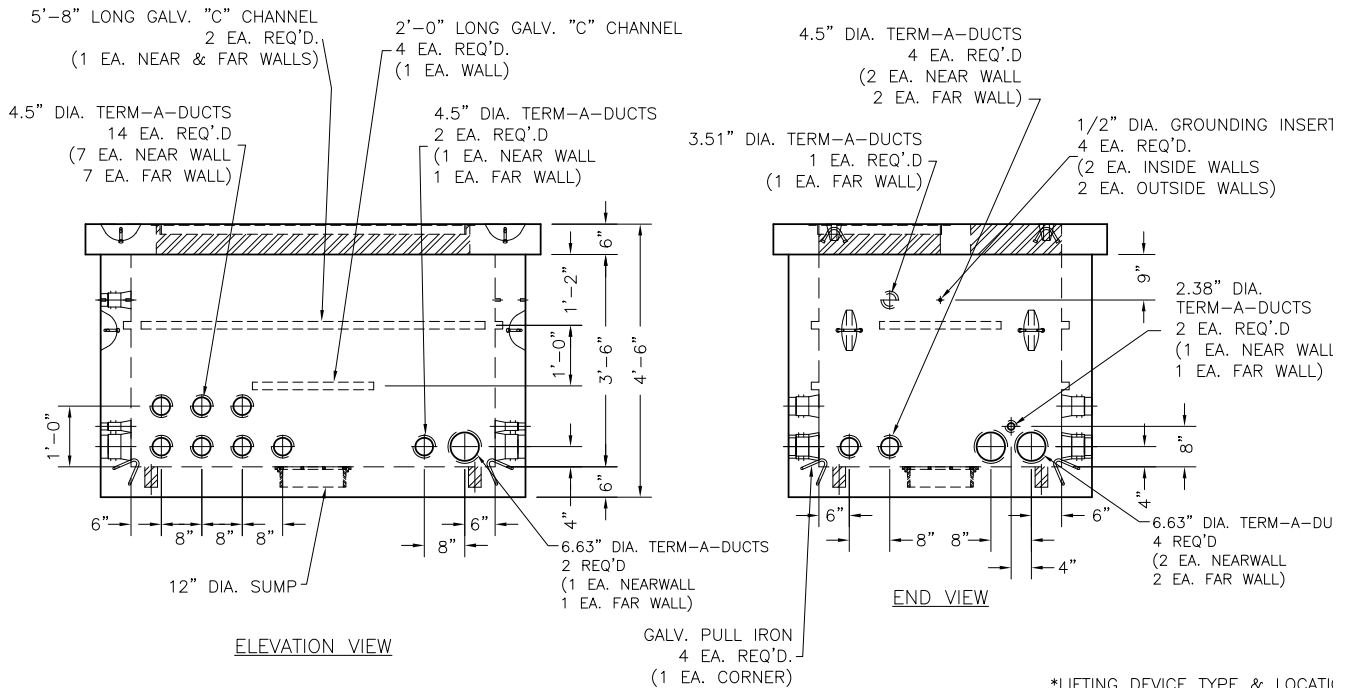


35kV, 3-PHASE SECTIONALIZING CABINET PADVAULT





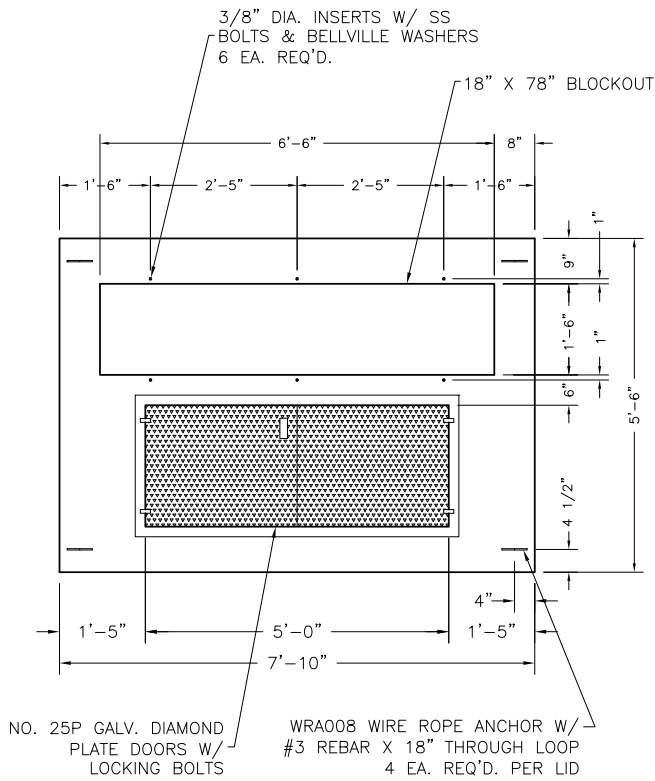
15 kV, 3-PHASE SECTIONALIZING CABINET PADVAULT  
PCORP #7992605 - SI #1720630



\*LIFTING DEVICE TYPE & LOCATI  
MAY CHANGE WITHOUT NOTICE.

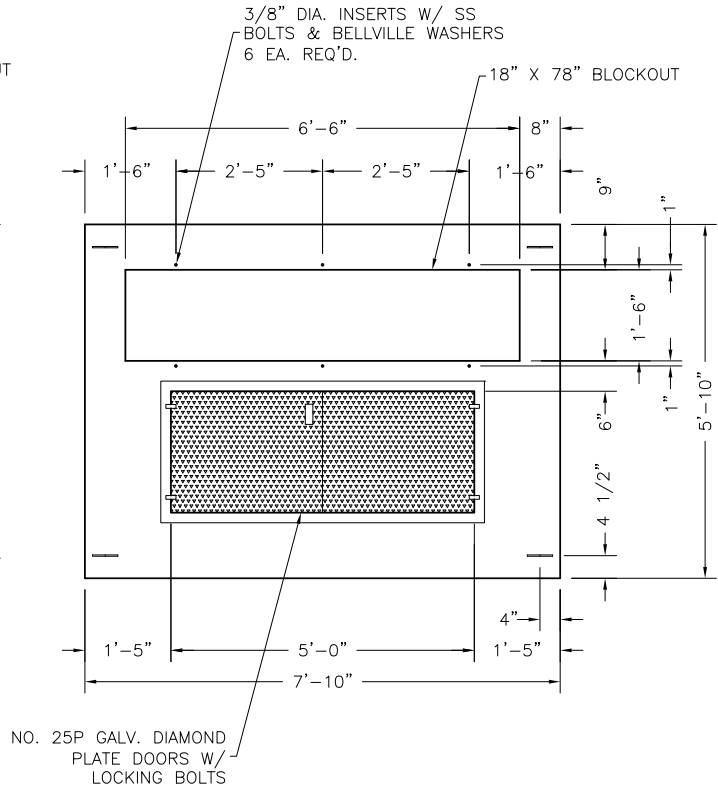
**GV 221**

*4'x6' Padvault  
3 Phase Sectionalizing Cab.  
Pacificorp*



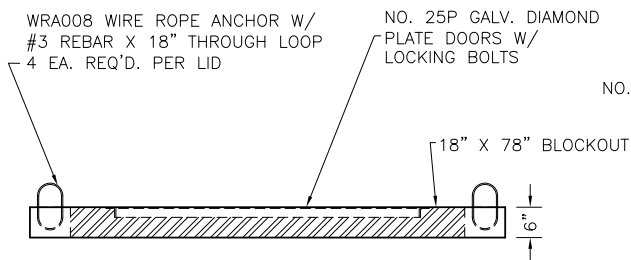
PLAN VIEW

25 kV, 3-PHASE SECTIONALIZING CABINET PAD  
SI #1008972

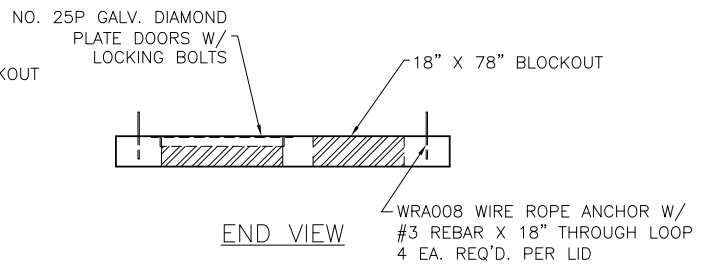


PLAN VIEW

35 kV, 3-PHASE SECTIONALIZING CABINET PAD  
SI #1008972



ELEVATION VIEW



END VIEW

\*LIFTING DEVICE TYPE & LOCATION  
MAY CHANGE WITHOUT NOTICE.

**Oldcastle Precast**  
801 West 12th Street  
Ogden, Utah 84404

Phone: (801) 399-1171  
Fax: (801) 392-7849

For more information about our products, please visit  
[oldcastleprecast.com](http://oldcastleprecast.com)

[oldcastleprecast.com](http://oldcastleprecast.com)