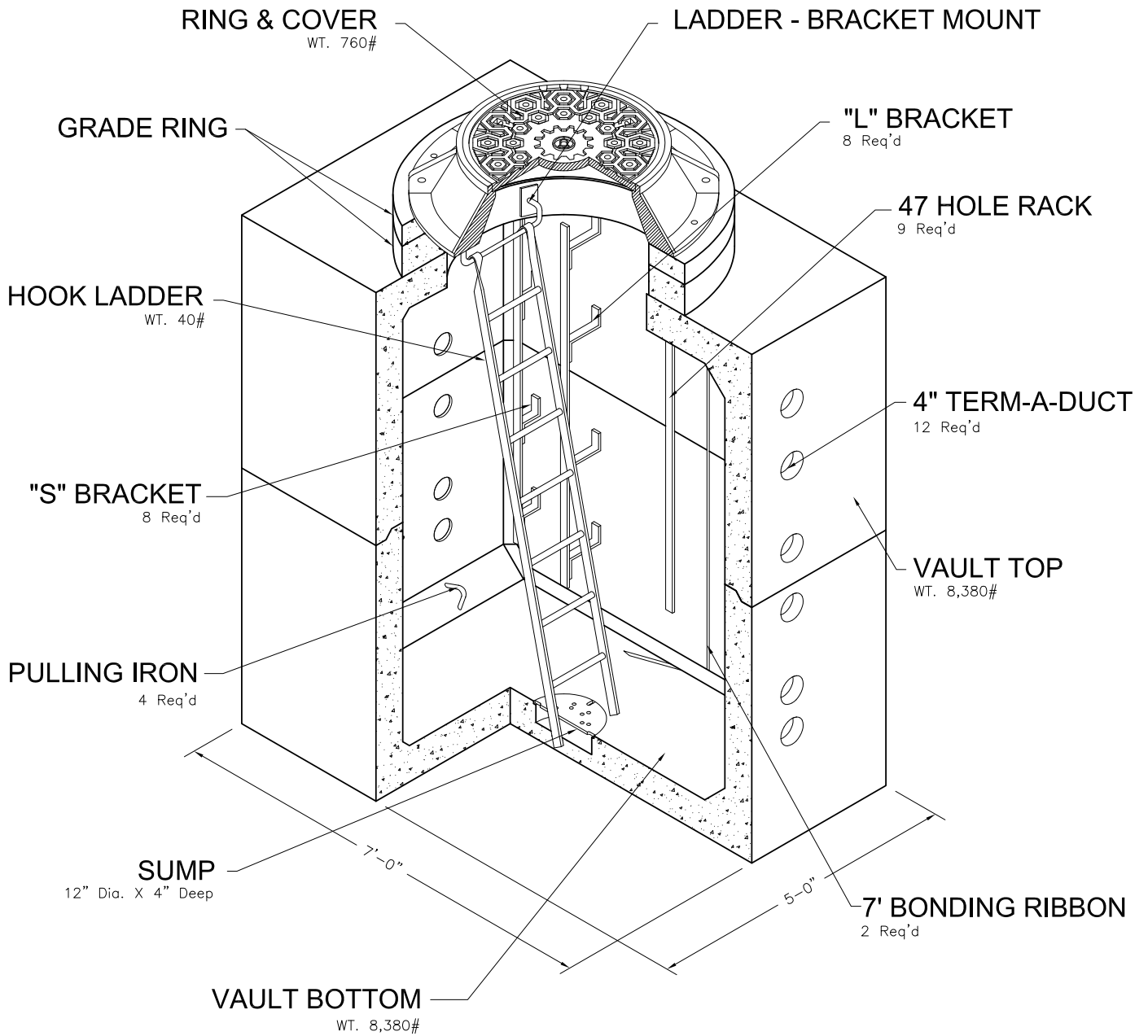


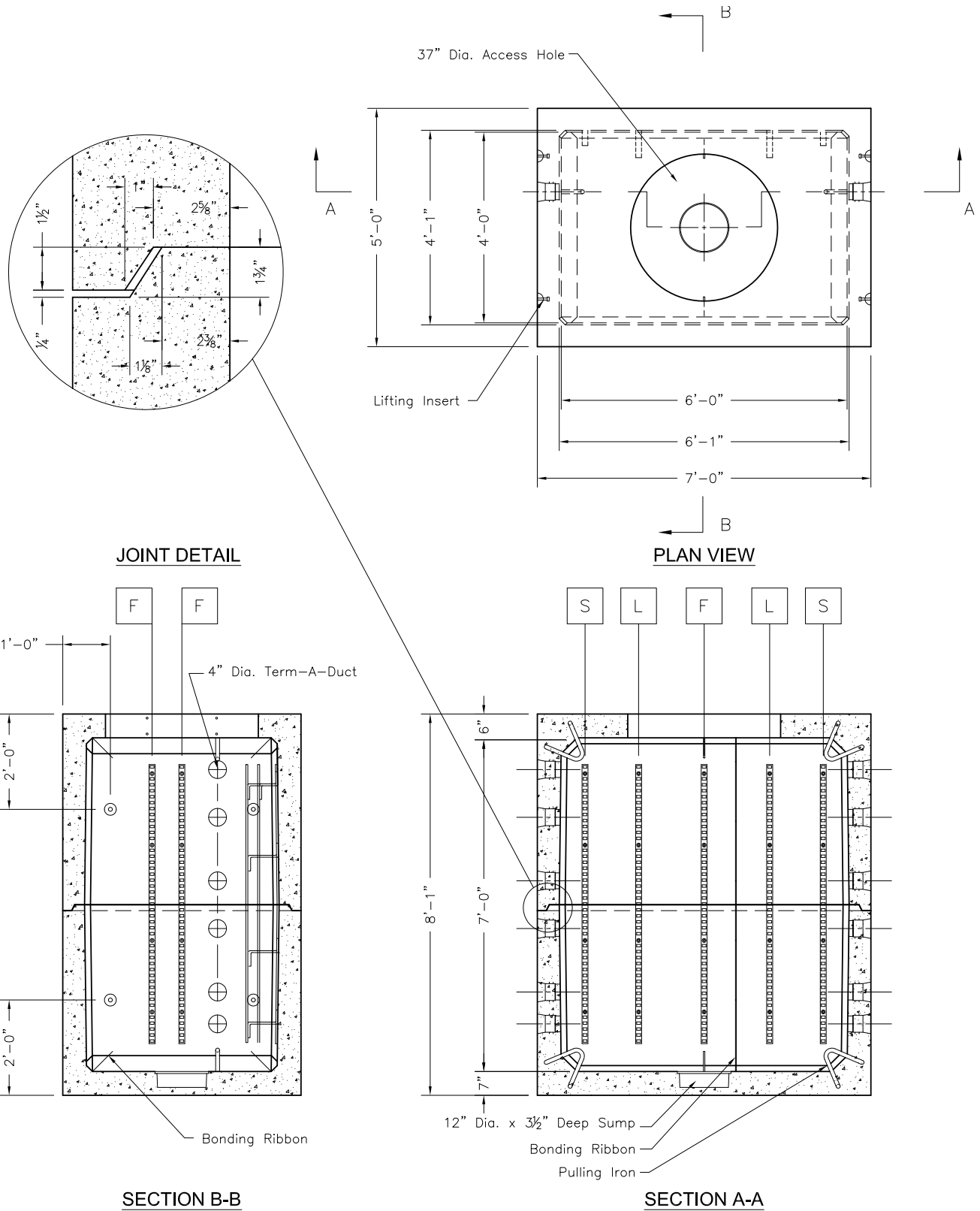
4'x6'
Pull Box

4'x6'x7'0"
Communications Vault
Qwest Standard



GENERAL NOTES:

1. Vaults are Designed to Meet ASTM C85 and ACI 318 with AASHTO HS-20 Loading
2. See U.S. West Specifications Governing Vault Openings.
3. See Hardware Section for Racking Kit Racking Kit Specifications.



Oldcastle Precast
 801 West 12th Street
 Ogden, Utah 84404

Phone: (801) 399-1171
 Fax: (801) 392-7849

For more information about our products, please visit
oldcastleprecast.com

oldcastleprecast.com