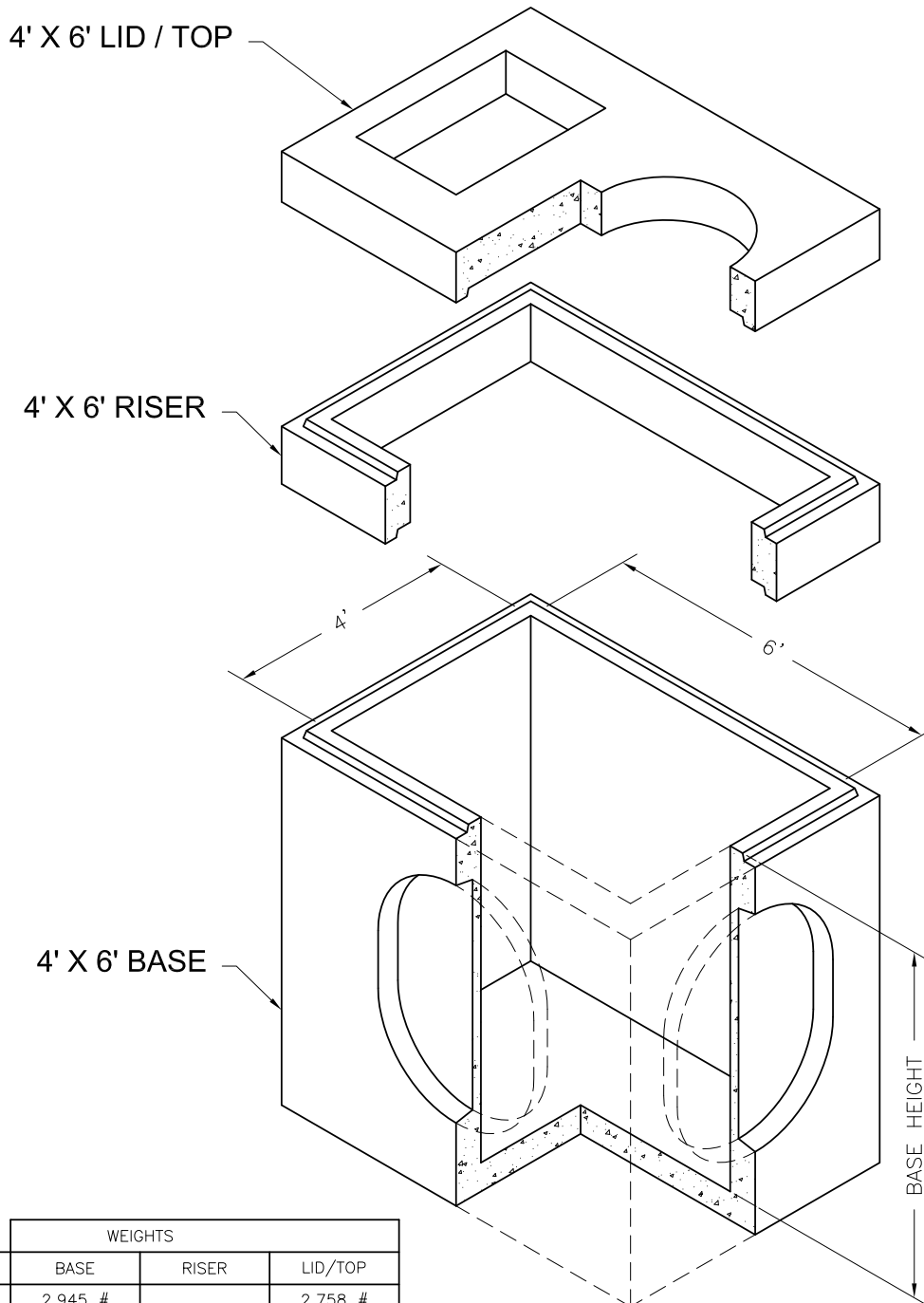


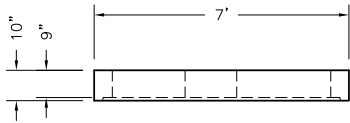
**4'x6'
Combo**

4'x6' Combo Box
Bases, Risers and Lids

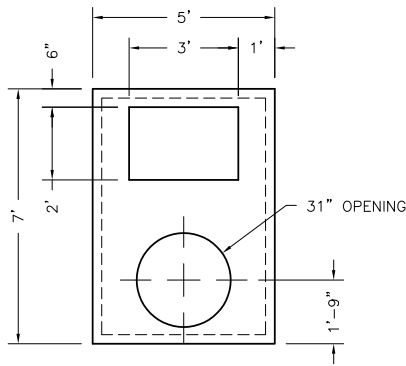


WEIGHTS			
HEIGHT	BASE	RISER	LID/TOP
0'	2,945 #		2,758 #
1'		1,650 #	
2'		3,300 #	
3'		4,950 #	
3'-6"	6,704 #		6,704 #
4'	7,530 #		
5'	8,880 #		
6'	10,530 #		

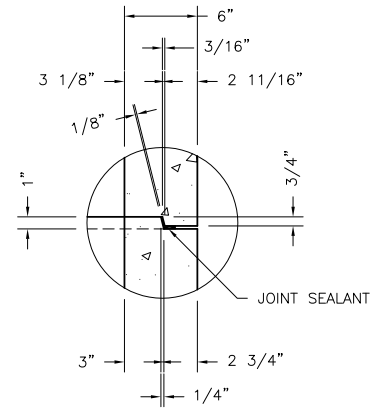
NOTES:
 1. Vault design complies with ASTM C-857 and C-858 with less than 2' of earth cover and an AASHTO HS-20 loading.
 2. Lifting insert type and location may change without notice.



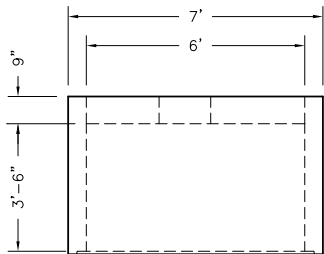
**4'x6' COMBO BOX LID
ELEVATION VIEW**



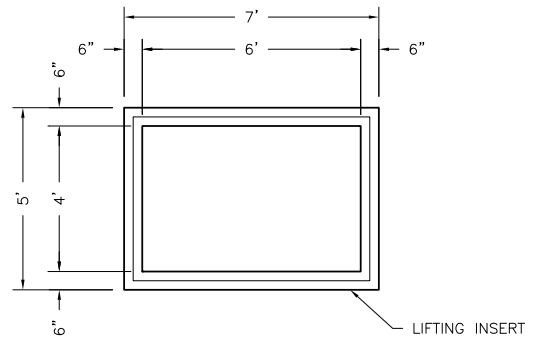
**4'x6' CATCH BASIN LID/TOP
PLAN VIEW**



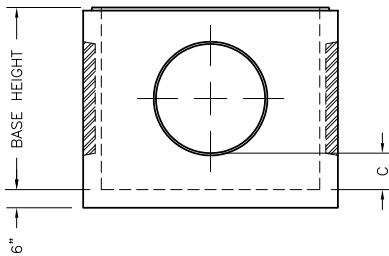
JOINT DETAIL



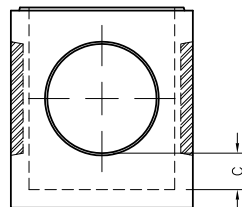
**4'x6' COMBO BOX TOP
ELEVATION VIEW**



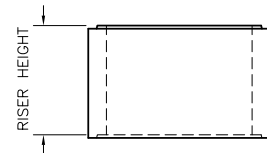
**4'x6' COMBO BOX BASE / RISER
PLAN VIEW**



**4'x6' COMBO BOX BASE
SIDE ELEVATION VIEW**

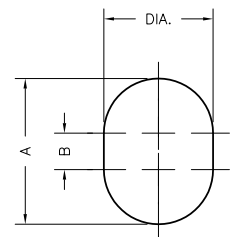


**4'x6' COMBO BOX BASE
END ELEVATION VIEW**



**4'x6' CATCH BASIN RISER
ELEVATION VIEW**

BASE HEIGHT	WIDE SIDE KNOCKOUT DIMENSIONS			SHORT SIDE KNOCKOUT DIMENSIONS			C
	DIA.	A	B	DIA.	A	B	
3'-6"	36"	36"	0"	36"	36"	0"	0"
4'	36"	36"	0"	36"	36"	0"	0"
5'	36"	36"	0"	36"	36"	0"	12"
6'	36"	48"	12"	36"	48"	12"	12"



KNOCKOUTS ARE 4" DEEP

Oldcastle Precast
801 West 12th Street
Ogden, Utah 84404

Phone: (801) 399-1171
Fax: (801) 392-7849

For more information about our products, please visit
oldcastleprecast.com

oldcastleprecast.com