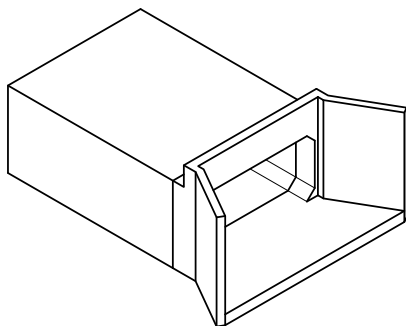
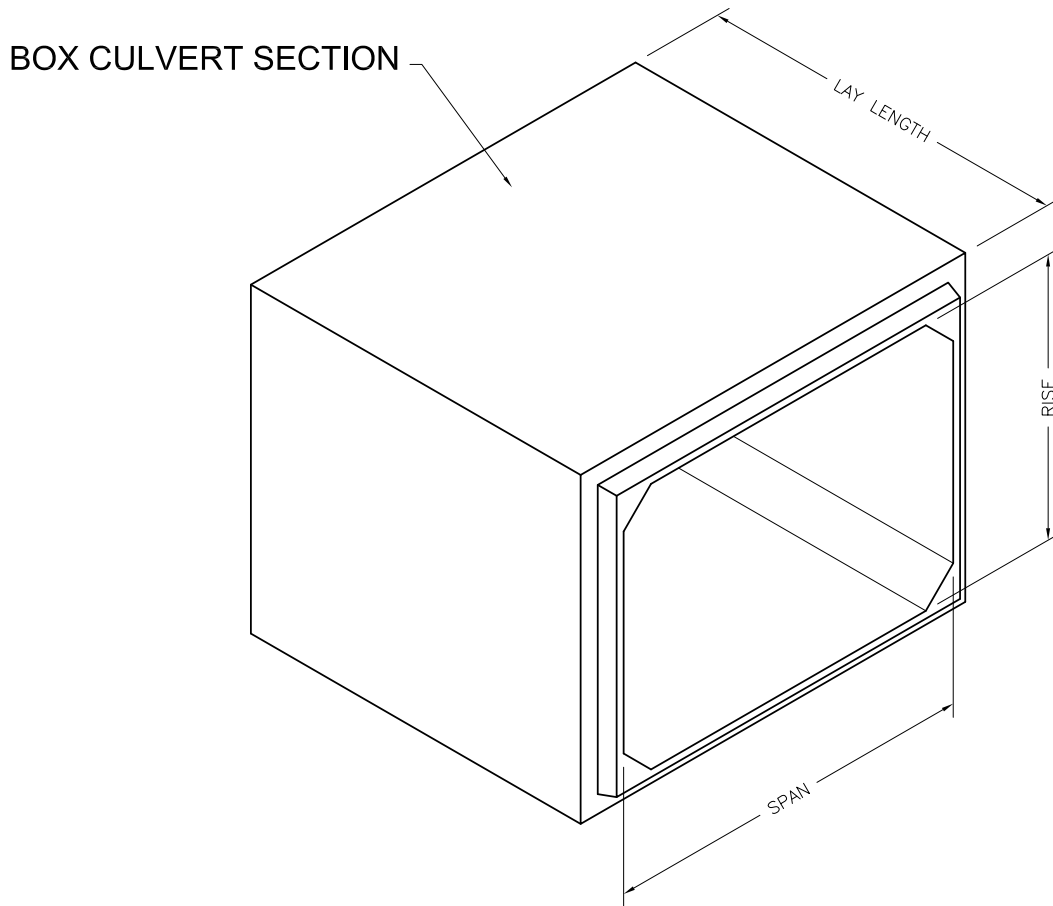
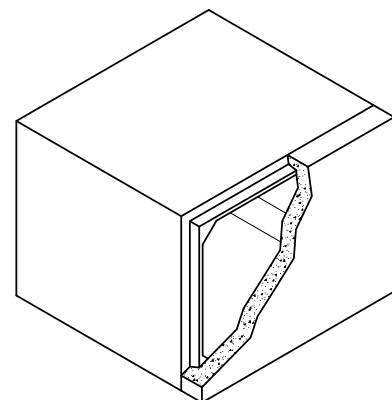


**Box
Culvert**

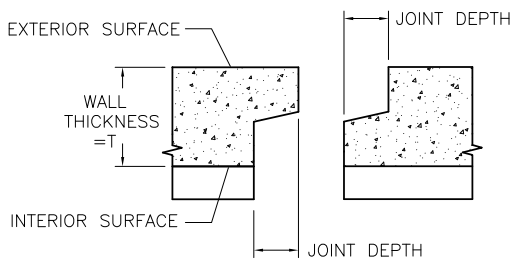
Box Culvert
4'x3' thru 12'x12'
ASTM C-1433



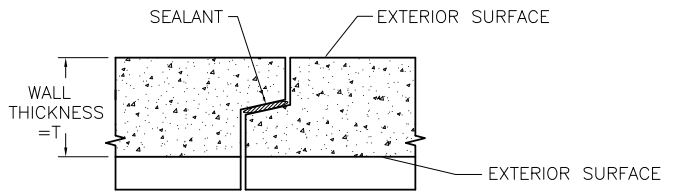
BOX CULVERT W/ END TREATMENT



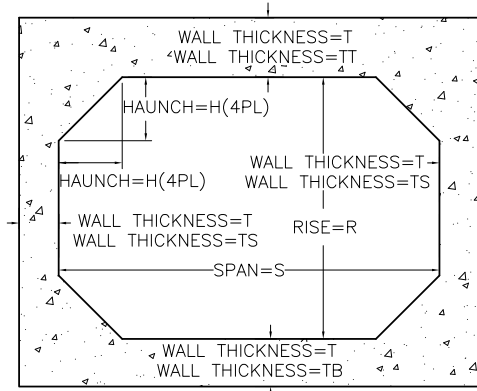
BOX CULVERT W/ END CAP
FOR DETENTION / RETENTION



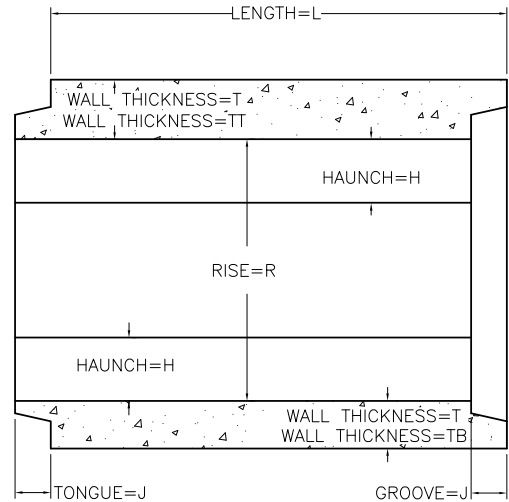
JOINT DETAILS
NO REINFORCEMENT SHOWN



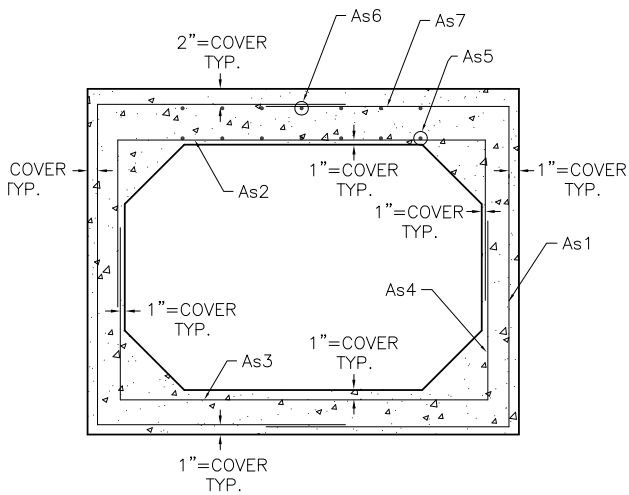
JOINT DETAIL ASSEMBLED
NO REINFORCEMENT SHOWN



CROSS SECTION
AT CENTERLINE OF BOX LENGTH
NO REINFORCEMENT SHOWN



PROFILE SECTION
AT CENTERLINE OF BOX SPAN
NO REINFORCEMENT SHOWN



TYPICAL REINFORCEMENT
ASTM C-1433

NOTE:

AREA OF REINFORCEMENT, NUMBER OF CAGES, AND CONCRETE COMPRESSIVE STRENGTHS SHALL BE IN CONFORMANCE WITH A.S.T.M. SPECIFICATION

ALL DIMENSIONS ARE SUBJECT TO ALLOWABLE SPECIFICATION TOLERANCES AND PARAMETERS.

Oldcastle Precast
801 West 12th Street
Ogden, Utah 84404

Phone: (801) 399-1171
Fax: (801) 392-7849

For more information about our products, please visit
oldcastleprecast.com

oldcastleprecast.com

SPAN S FEET	RISE R FEET	WALL			HAUNCH H INCHES	LENGTH L FEET	WEIGHT WT. #’S/FT.	TONGUE J INCHES	GROOVE J INCHES	WATERWY AREA SQ. FT.	EQUIV. DIA. INCHES
		Tt	Ts	Tb							
4'	2'	8"	5"	6"	8"	8'	910	4.50"	4.50"	7.1	36.1"
4'	3'	8"	5"	6"	8"	8'	1030	4.50"	4.50"	11.1	45.1"
4'	4'	8"	5"	6"	8"	8'	1160	4.50"	4.50"	15.1	52.6"
5'	2'	8"	6"	7"	8"	8'	1280	4.50"	4.50"	9.1	40.9"
5'	3'	8"	6"	7"	8"	8'	1430	4.50"	4.50"	14.1	50.9"
5'	4'	8"	6"	7"	8"	8'	1580	4.50"	4.50"	19.1	59.2"
5'	5'	8"	6"	7"	8"	8'	1730	4.50"	4.50"	24.1	66.5"
6'	2'	8"	7"	7"	8"	8'	1700	4.50"	4.50"	11.1	45.1"
6'	3'	8"	7"	7"	8"	8'	1880	4.50"	4.50"	17.3	56.3"
6'	4'	8"	7"	7"	8"	8'	2060	4.50"	4.50"	23.3	65.4"
6'	5'	8"	7"	7"	8"	8'	2230	4.50"	4.50"	29.1	73.1"
6'	6'	8"	7"	7"	8"	8'	2410	4.50"	4.50"	35.1	80.2"
7'	2'	8"	8"	8"	8"	8'	2200	4.50"	4.50"	13.1	49.0"
7'	3'	8"	8"	8"	8"	8'	2400	4.50"	4.50"	20.1	60.7"
7'	4'	8"	8"	8"	8"	8'	2600	4.50"	4.50"	27.1	70.5"
7'	5'	8"	8"	8"	8"	8'	2800	4.50"	4.50"	34.1	79.1"
7'	6'	8"	8"	8"	8"	8'	3000	4.50"	4.50"	41.1	86.8"
7'	7'	8"	8"	8"	8"	8'	3200	4.50"	4.50"	48.1	93.9"
8'	2'	8"	8"	8"	8"	8'	2400	4.50"	4.50"	15.1	52.6"
8'	3'	8"	8"	8"	8"	8'	2600	4.50"	4.50"	23.1	65.1"
8'	4'	8"	8"	8"	8"	8'	2800	4.50"	4.50"	31.1	75.5"
8'	5'	8"	8"	8"	8"	8'	3000	4.50"	4.50"	39.1	84.7"
8'	6'	8"	8"	8"	8"	8'	3200	4.50"	4.50"	47.1	92.9"

8'	7'	8"	8"	8"	10"	6'	3400	4.50"	4.50"	54.6	100.1"
8'	8'	8"	8"	8"	10"	6'	3600	4.50"	4.50"	62.6	107.1"
9'	3'	9"	9"	9"	10"	6'	3220	4.50"	4.50"	25.6	68.5"
9'	4'	9"	9"	9"	10"	6'	3440	4.50"	4.50"	34.6	79.7"
9'	5'	9"	9"	9"	10"	6'	3660	4.50"	4.50"	43.6	89.4"
9'	6'	9"	9"	9"	10"	6'	3880	4.50"	4.50"	52.6	98.2"
9'	7'	9"	9"	9"	10"	6'	4110	4.50"	4.50"	61.6	106.3"
9'	8'	9"	9"	9"	10"	6'	4330	4.50"	4.50"	70.6	113.8"
9'	9'	9"	9"	9"	10"	6'	4560	4.50"	4.50"	79.6	120.8"
10'	3'	10"	10"	10"	10"	6'	3880	4.50"	4.50"	28.6	72.4"
10'	4'	10"	10"	10"	10"	6'	4130	4.50"	4.50"	38.6	84.1"
10'	5'	10"	10"	10"	10"	6'	4380	4.50"	4.50"	48.6	94.5"
10'	6'	10"	10"	10"	10"	6'	4630	4.50"	4.50"	58.6	103.7"
10'	7'	10"	10"	10"	10"	6'	4880	4.50"	4.50"	68.6	112.2"
10'	8'	10"	10"	10"	10"	6'	5130	4.50"	4.50"	78.6	120.1"
10'	9'	10"	10"	10"	10"	6'	5380	4.50"	4.50"	88.6	127.5"
10'	10'	10"	10"	10"	10"	6'	5630	4.50"	4.50"	98.6	134.5"
11'	3'	11"	11"	11"	10"	6'	4605	4.50"	4.50"	31.6	76.1"
11'	4'	11"	11"	11"	10"	6'	4880	4.50"	4.50"	42.6	88.4"
11'	5'	11"	11"	11"	10"	6'	5155	4.50"	4.50"	53.6	99.1"
11'	6'	11"	11"	11"	10"	6'	5430	4.50"	4.50"	64.6	108.8"
11'	7'	11"	11"	11"	10"	6'	5735	4.50"	4.50"	75.6	117.7"
11'	8'	11"	11"	11"	10"	6'	5980	4.50"	4.50"	86.6	126.0"
11'	9'	11"	11"	11"	10"	6'	6255	4.50"	4.50"	97.6	133.8"
12'	3'	12"	12"	12"	10"	6'	5400	4.50"	4.50"	34.6	79.7"
12'	4'	12"	12"	12"	10"	6'	5700	4.50"	4.50"	46.6	92.4"
12'	5'	12"	12"	12"	10"	6'	6000	4.50"	4.50"	58.6	103.7"
12'	6'	12"	12"	12"	10"	6'	6300	4.50"	4.50"	70.6	113.8"
12'	7'	12"	12"	12"	10"	6'	6600	4.50"	4.50"	82.6	123.1"
12'	8'	12"	12"	12"	10"	6'	6900	4.50"	4.50"	94.6	131.7"
12'	9'	12"	12"	12"	10"	6'	7200	4.50"	4.50"	106.6	139.8"
12'	10'	12"	12"	12"	10"	6'	7500	4.50"	4.50"	118.6	147.5"
12'	11'	12"	12"	12"	10"	6'	7810	4.50"	4.50"	130.6	154.7"
12'	12'	12"	12"	12"	10"	6'	8120	4.50"	4.50"	142.6	161.7"

**Box
Culvert**

*Box Culvert
4'x3' thru 12'x12'
ASTM C-1433*