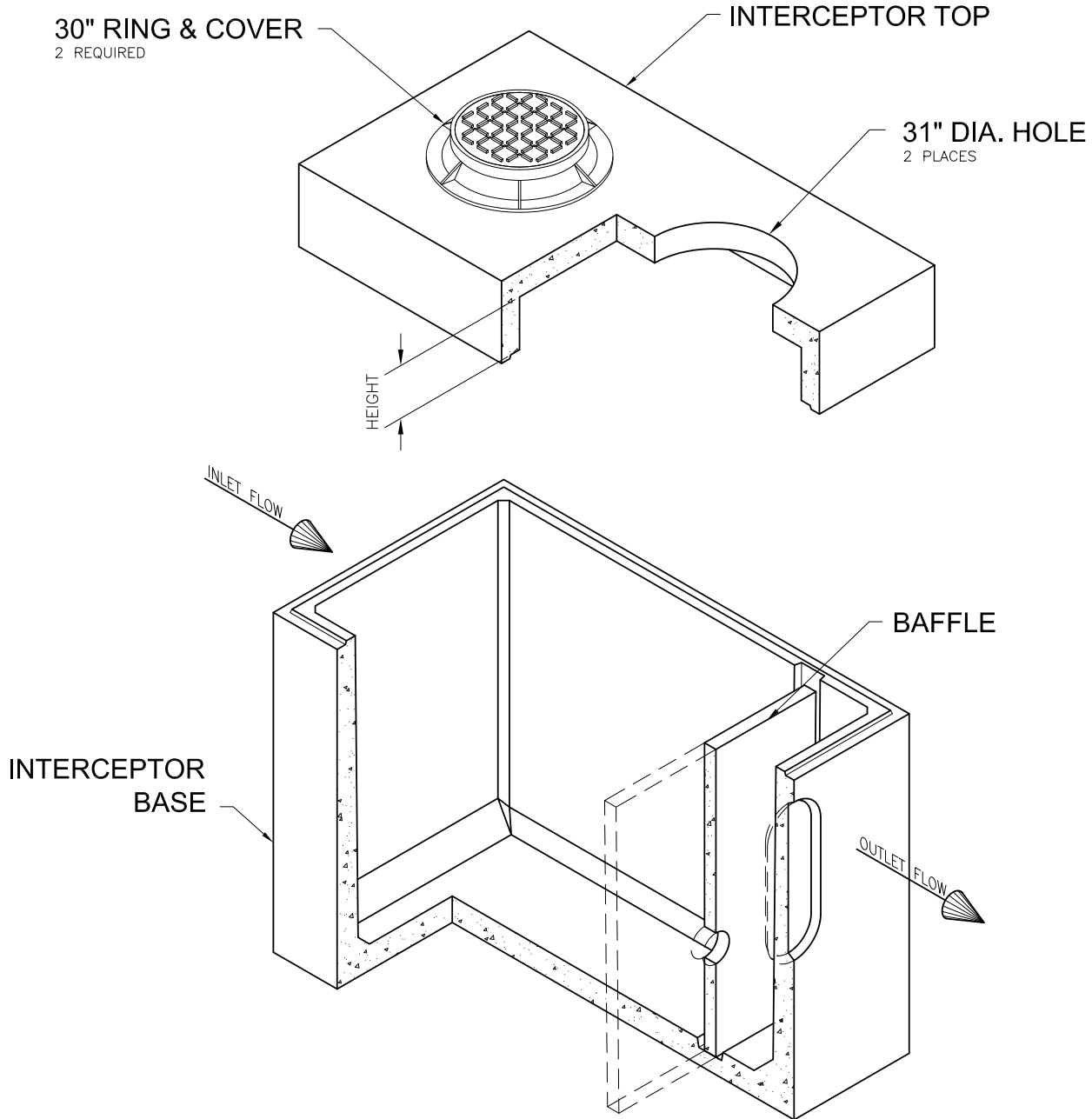


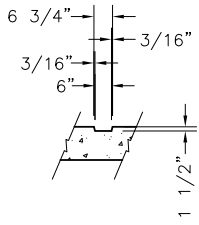
**48  
Grease  
Trap**

48 Grease Trap  
1,250 Gallon  
HS-20 Traffic

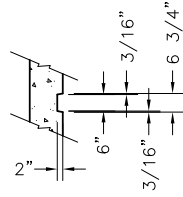


SECTION	LID	1' TOP	2' TOP	3' TOP
RING & COVER	810 #	810 #	810 #	810 #
LID	3,420 #	3,673 #	5,233 #	6,792 #
WEIR	946 #	946 #	946 #	946 #
DAM	673 #	673 #	673 #	673 #
BASE	15,074 #	15,074 #	15,074 #	15,074 #
TOTAL WEIGHT	20,698 #	20,698 #	22,258 #	23,817 #

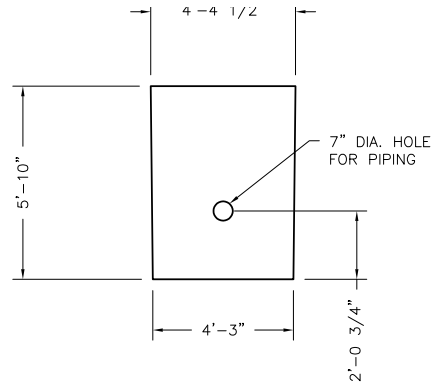
- NOTES:
1. Vault design complies with ASTM C-857 and C-858 with less than 2' of earth cover and an AASHTO HS-20 loading.
  2. 1,250 Gallon capacity is at a 5' water depth.
  3. Contractor to grout baffles in place.
  4. Contractor to fill all lift insert recesses with grout prior to backfill.
  5. Contractor must fill the Separator unit with clear water before it is put into service.
  6. Lifting insert type and location may change without notice.



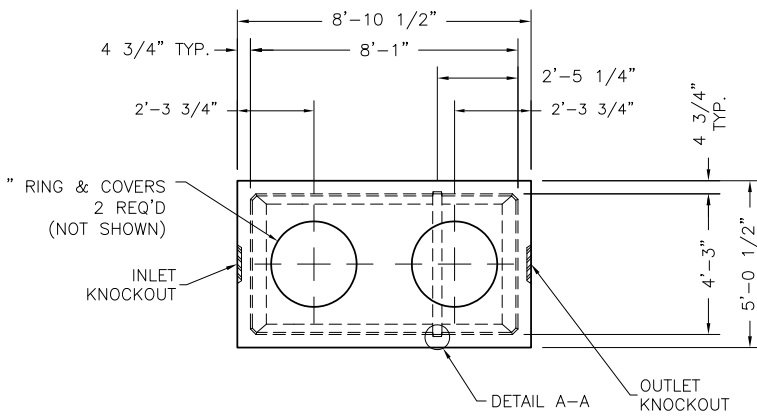
**DETAIL A-A**



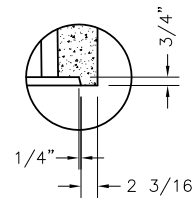
**DETAIL B-B**



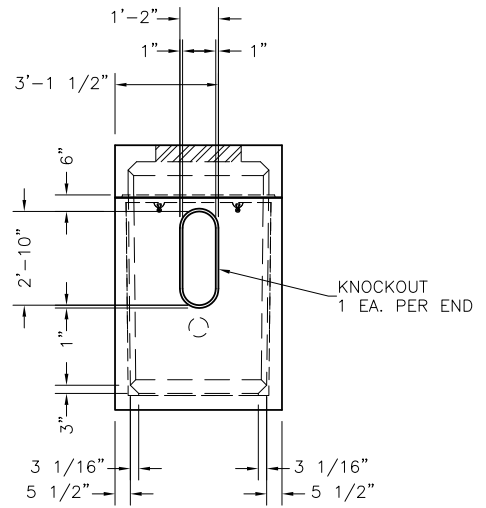
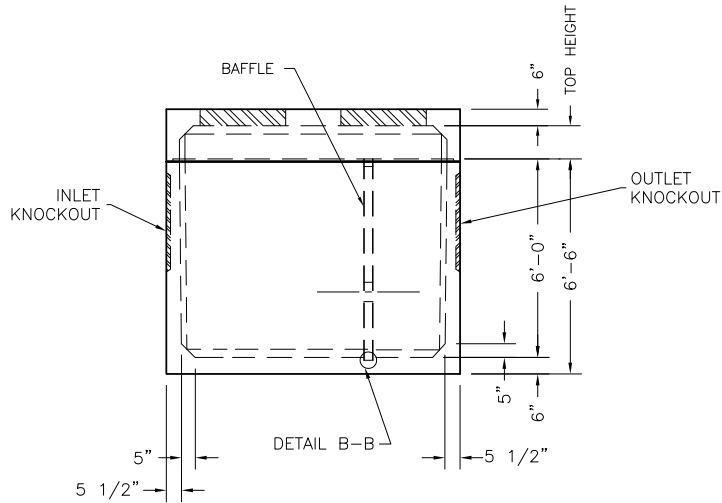
**INTERCEPTOR Baffle Detail**



**PLAN VIEW**



**JOINT Detail**



**Oldcastle Precast**  
801 West 12th Street  
Ogden, Utah 84404

Phone: (801) 399-1171  
Fax: (801) 392-7849

For more information about our products, please visit  
[oldcastleprecast.com](http://oldcastleprecast.com)

[oldcastleprecast.com](http://oldcastleprecast.com)