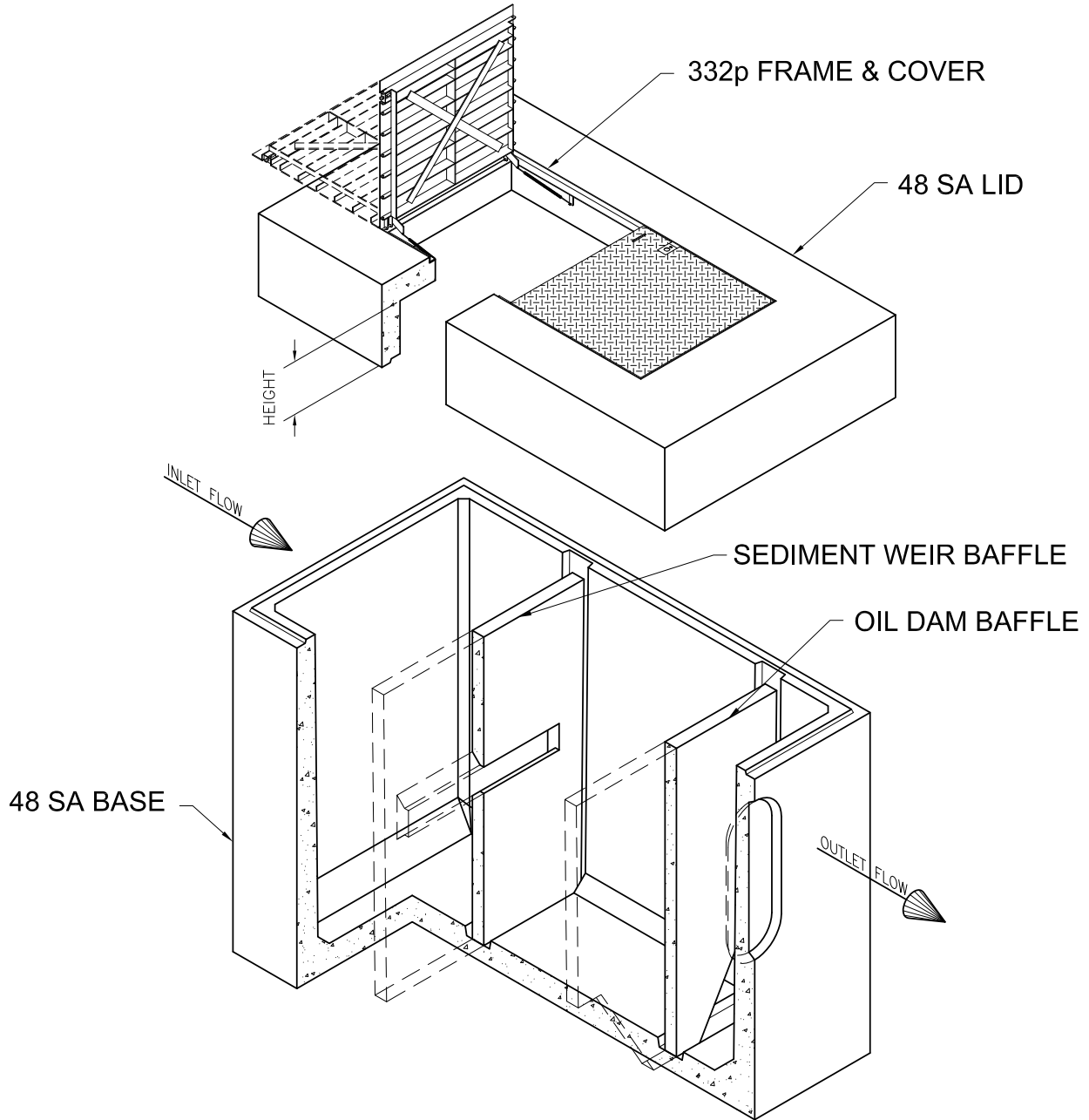


48 SA

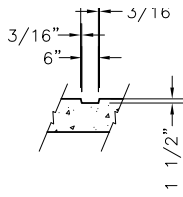
48 SA Oil / Water Separator
1,250 Gallon
Incidental Traffic



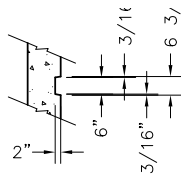
SECTION	1' TOP	2' TOP	3' TOP
FRAME & COVER	332 #	332 #	332 #
LID	3,673 #	5,233 #	6,792 #
WEIR	946 #	946 #	946 #
DAM	673 #	673 #	673 #
BASE	15,074 #	15,074 #	15,074 #
TOTAL WEIGHT	20,698 #	22,258 #	23,817 #

NOTES:

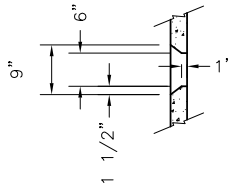
1. Vault design complies with ASTM C-857 and C-858 with less than 2' of earth cover and an AASHTO HS-20 loading.
2. 1,250 Gallon capacity is at a 5' water depth.
3. Contractor to grout baffles in place.
4. Contractor to fill all lift insert recesses with grout prior to backfill.
5. Contractor must fill the Separator unit with clear water before it is put into service.
6. Lifting insert type and location may change without notice.



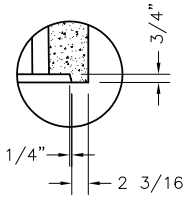
DETAIL A-A



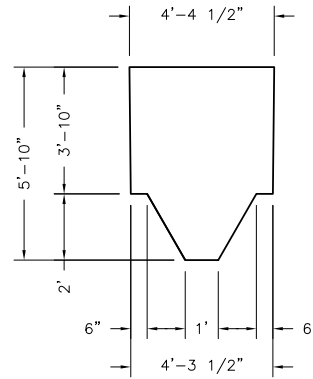
DETAIL B-B



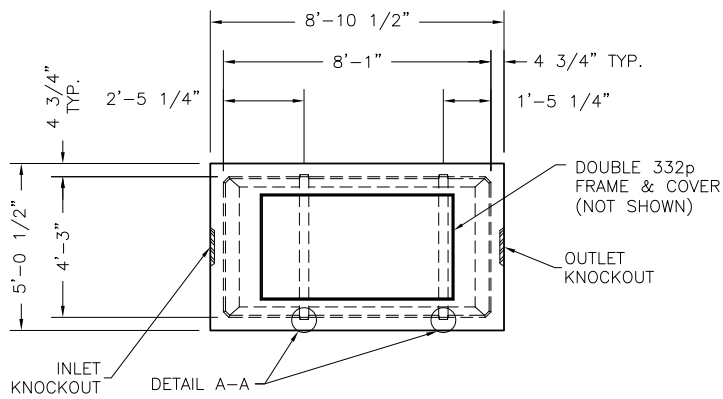
WEIR OPENING SECTION DETAIL



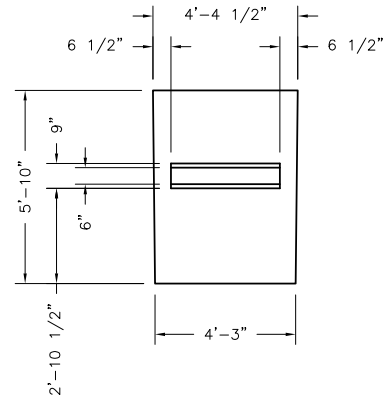
JOINT DETAIL



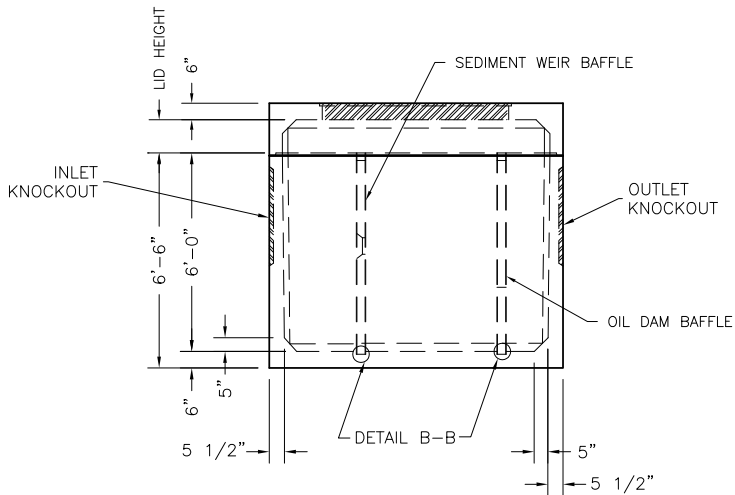
OIL DAM BAFFLE DETAIL



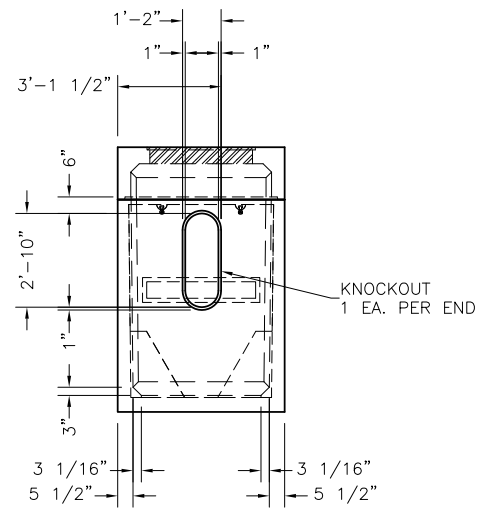
PLAN VIEW



SEDIMENT WEIR BAFFLE DETAIL



ELEVATION VIEW



END VIEW

Oldcastle Precast
801 West 12th Street
Ogden, Utah 84404

Phone: (801) 399-1171
Fax: (801) 392-7849

For more information about our products, please visit
oldcastleprecast.com

oldcastleprecast.com