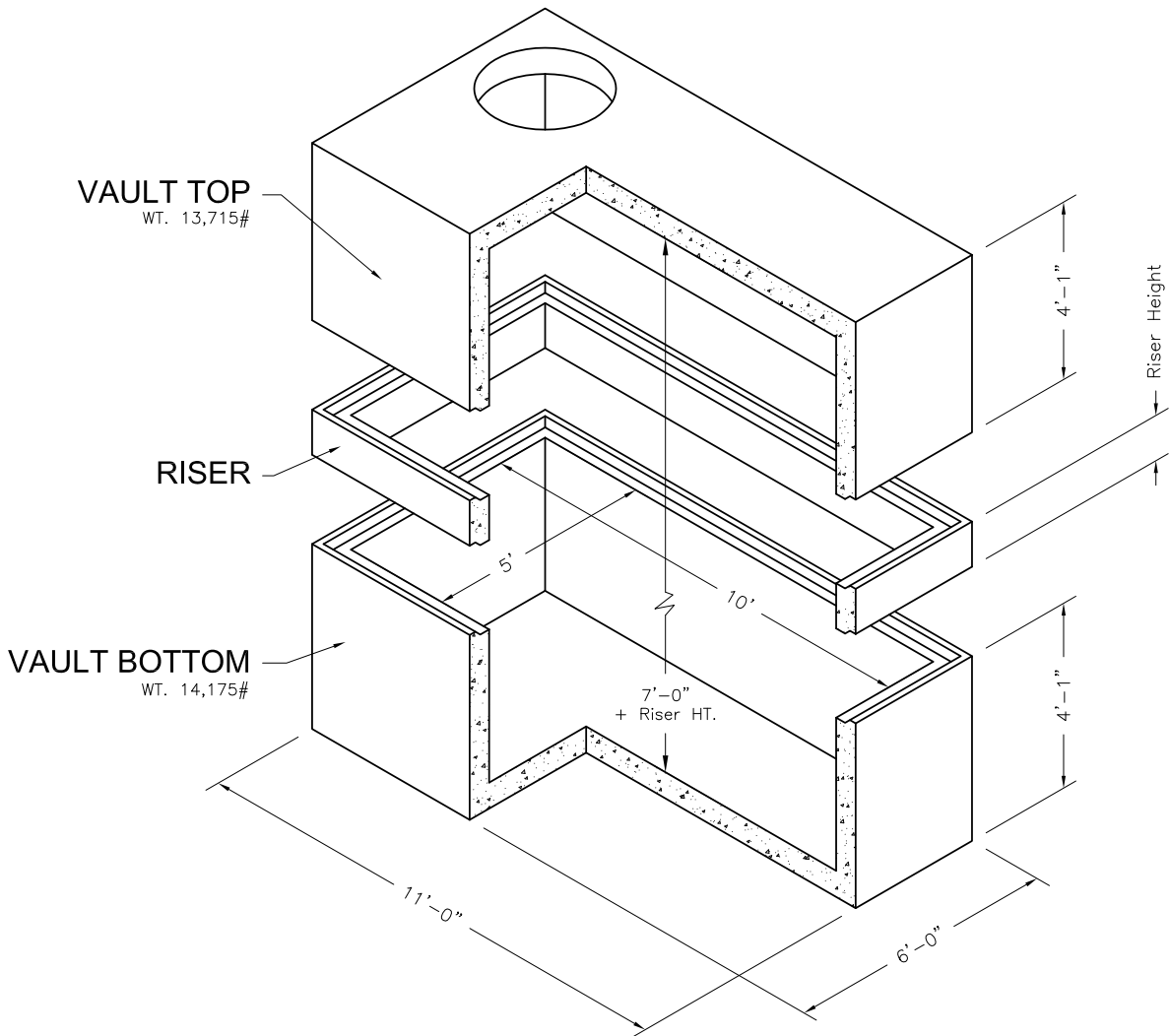


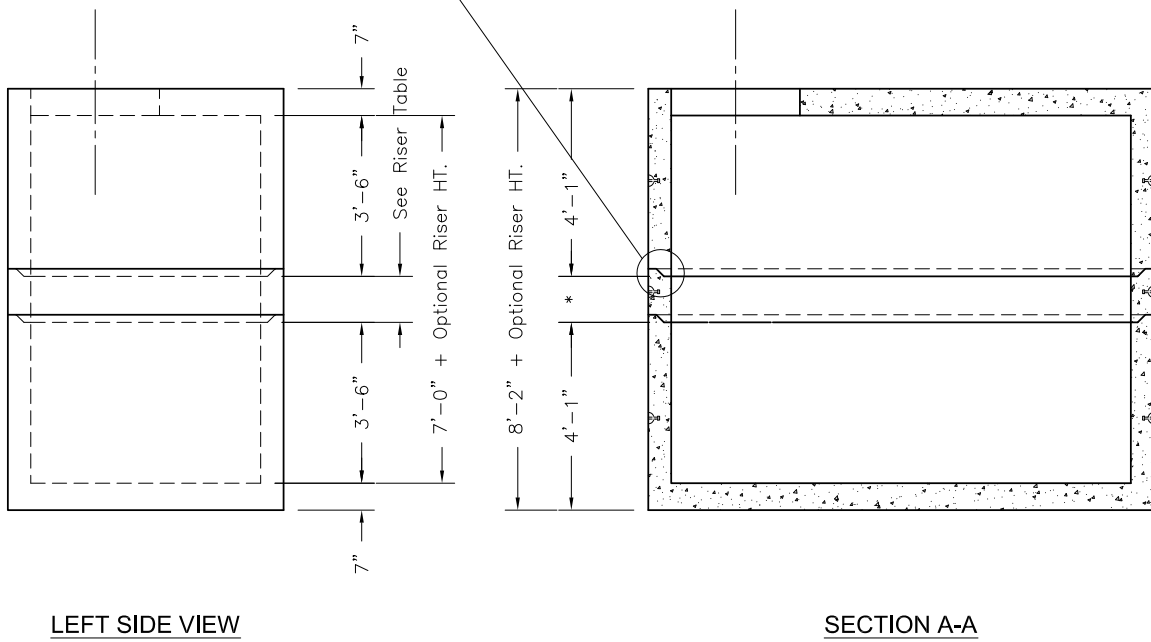
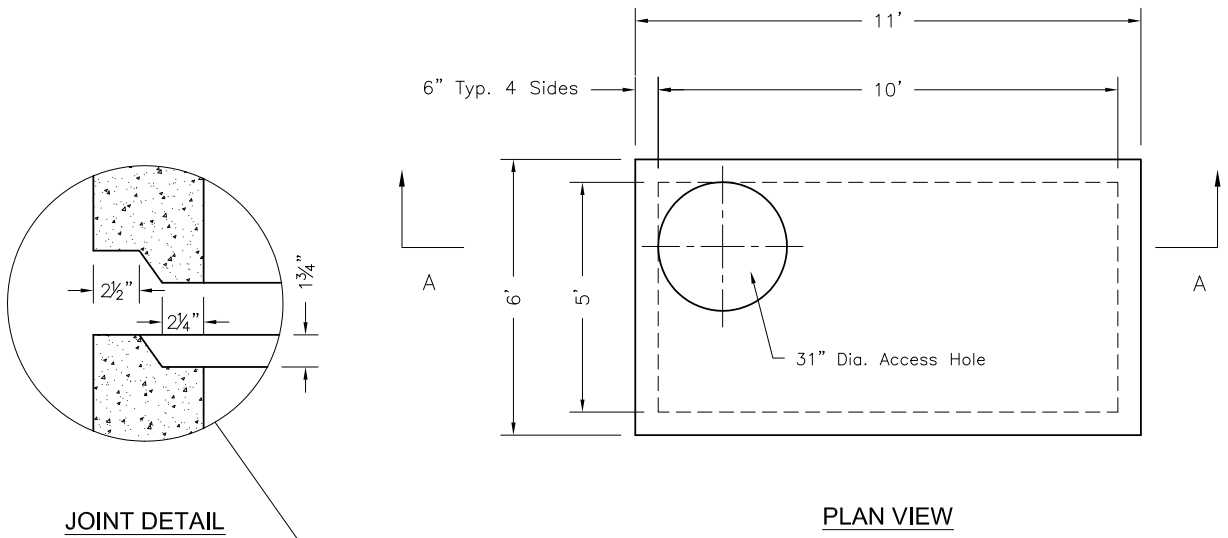
**5'x10'
Vault**

5'x10' Utility Vault
Bottom, Riser and Top



Riser	
Height	Weight
1'	2,400#
2'	4,800#
3'	7,200#

NOTES:
 1. Vault design complies with ASTM C-857 and C-858 with less than 2' of earth cover and ar AASHTO HS-20 loading.
 2. Lifting insert type and location may change without notice.



Oldcastle Precast
 801 West 12th Street
 Ogden, Utah 84404

Phone: (801) 399-1171
 Fax: (801) 392-7849

For more information about our products, please visit
oldcastleprecast.com

oldcastleprecast.com