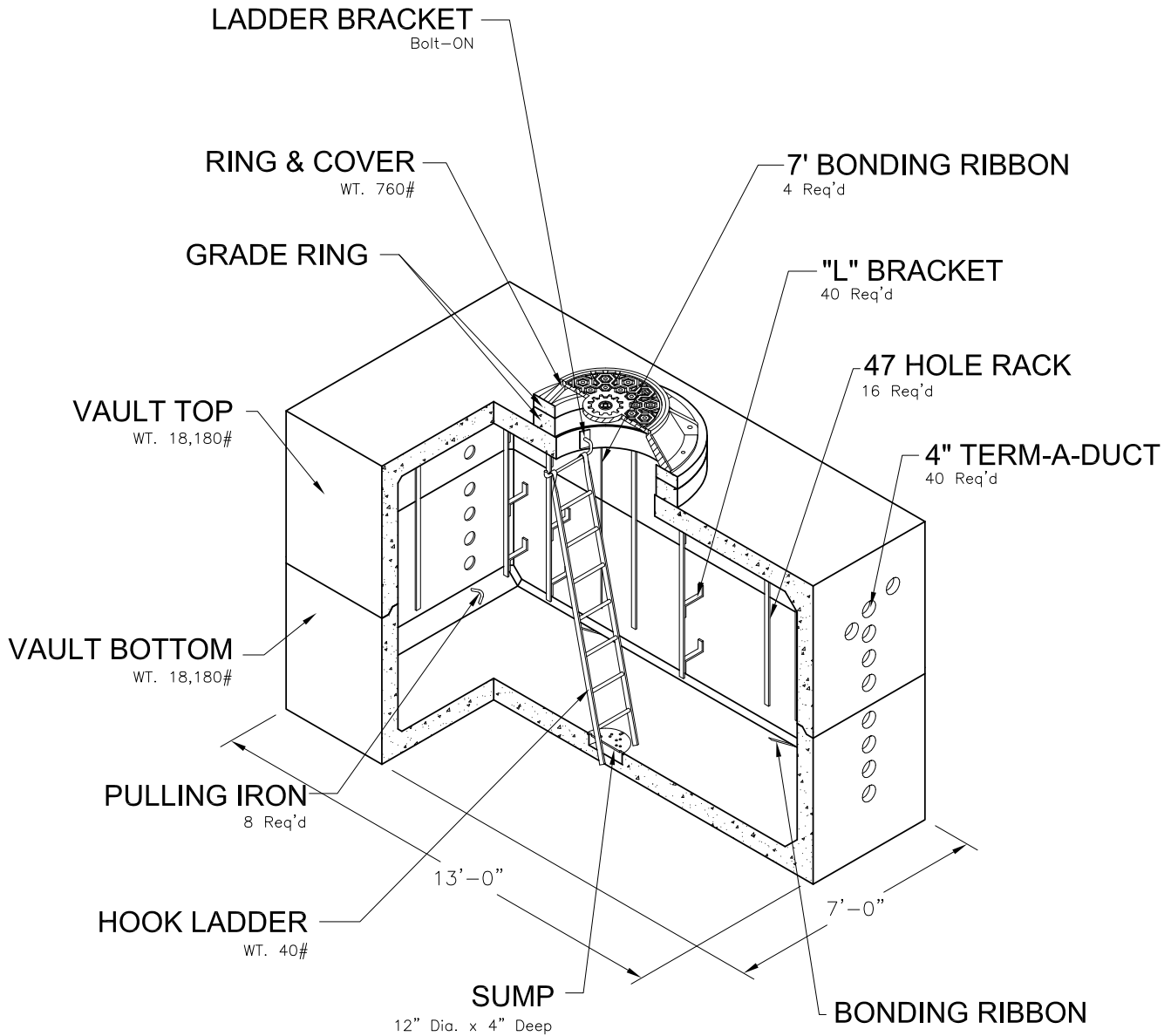


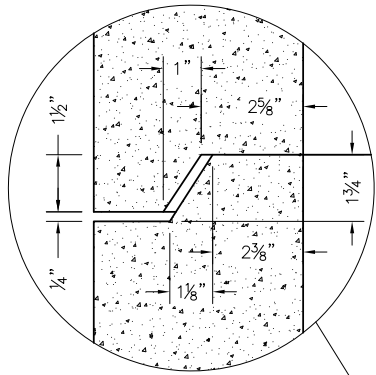
6'x12'
Qwest

6'x12'x7' Vault
Communications Vault
Qwest Standard

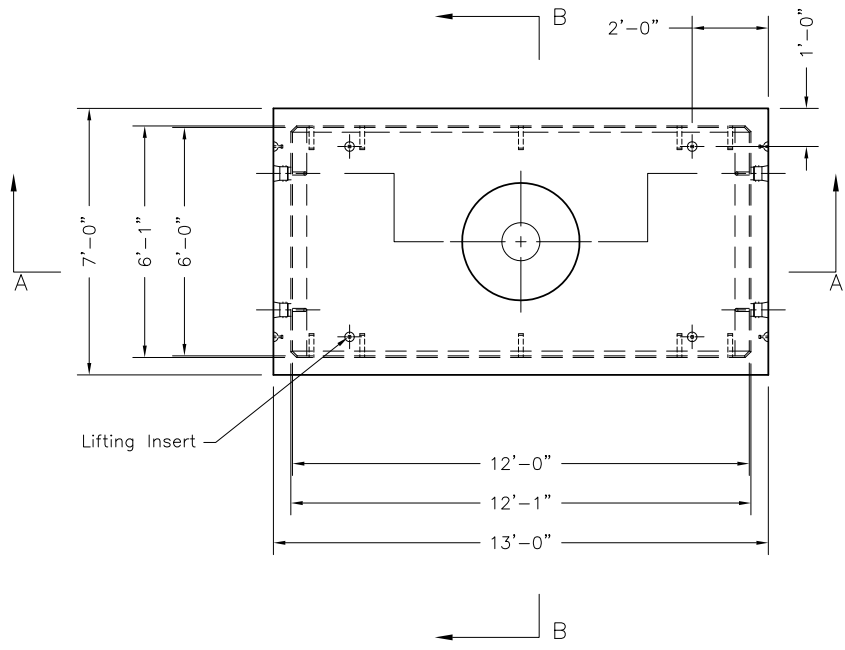


GENERAL NOTES:

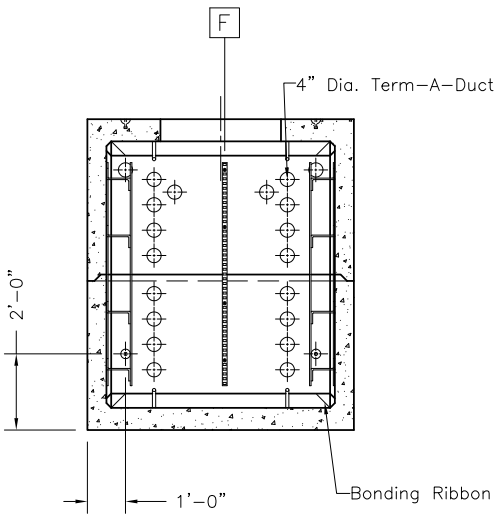
1. Vaults are Designed to Meet ASTM C857 or ACI 318 with AASHTO HS-20 Loading.
2. See U.S. West Specifications Governing Vault Openings.



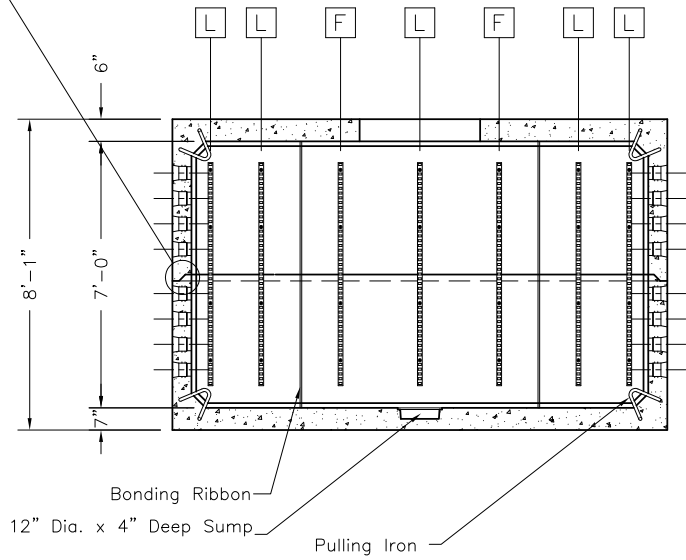
JOINT DETAIL



PLAN VIEW



SECTION B-B



SECTION A-A

Oldcastle Precast
 801 West 12th Street
 Ogden, Utah 84404

Phone: (801) 399-1171
 Fax: (801) 392-7849

For more information about our products, please visit
oldcastleprecast.com

oldcastleprecast.com