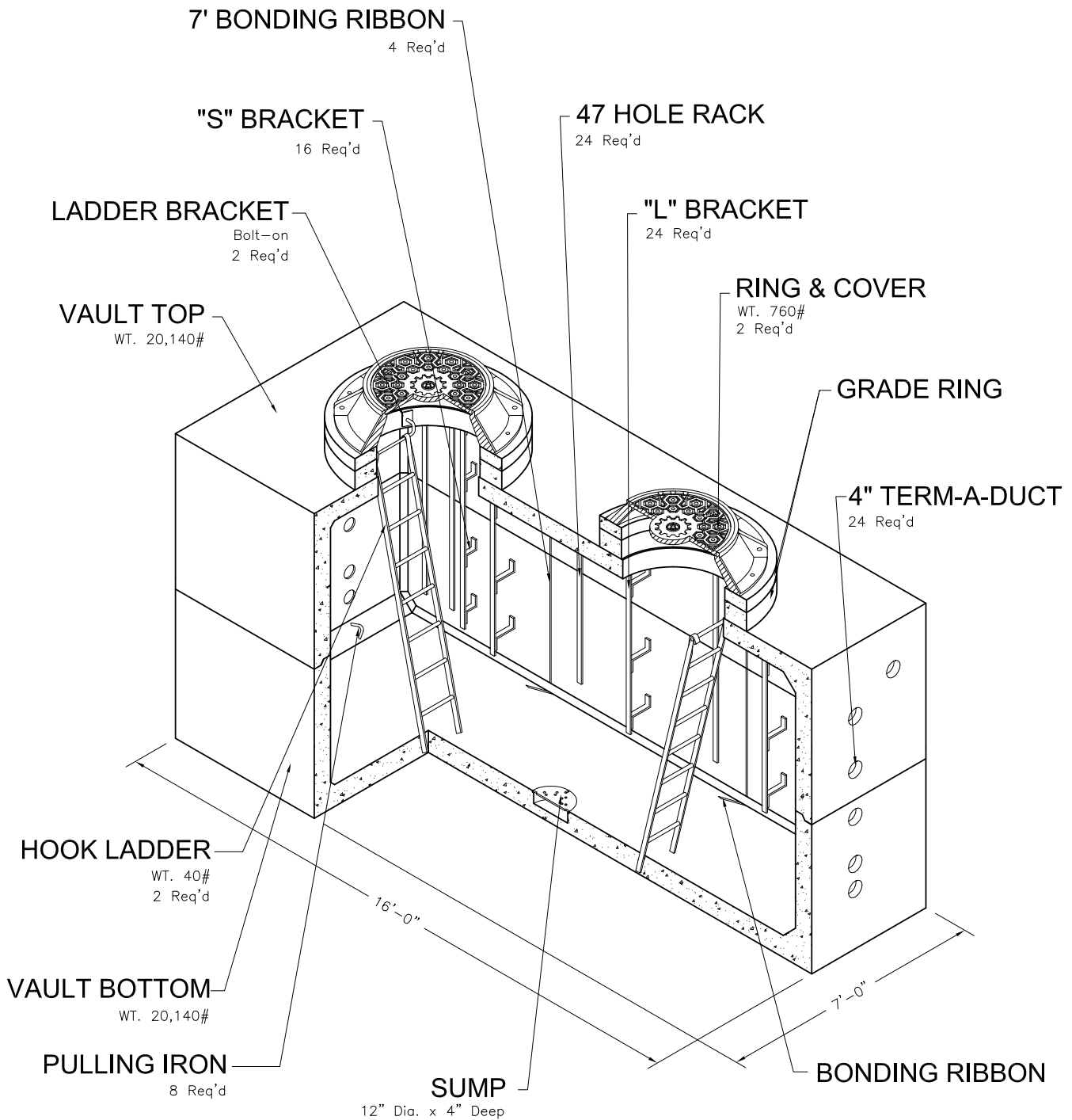


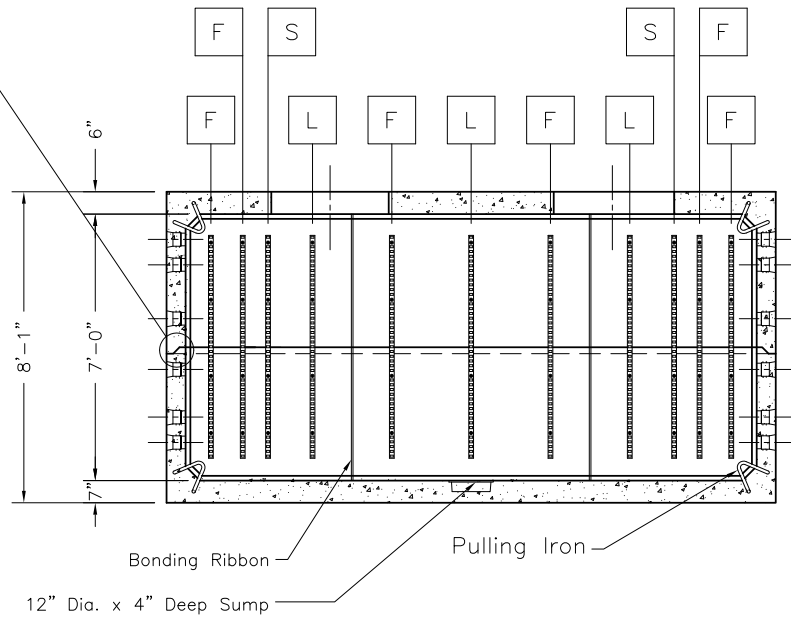
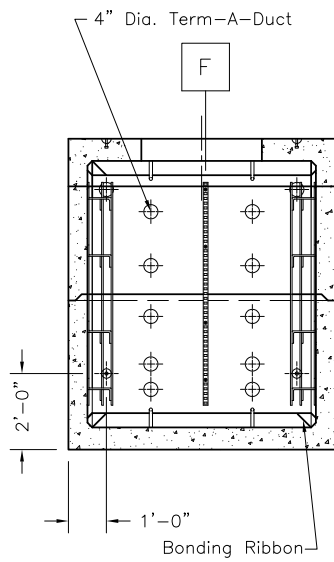
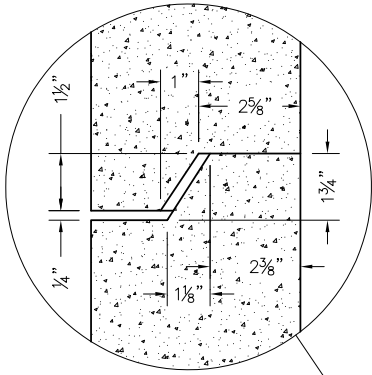
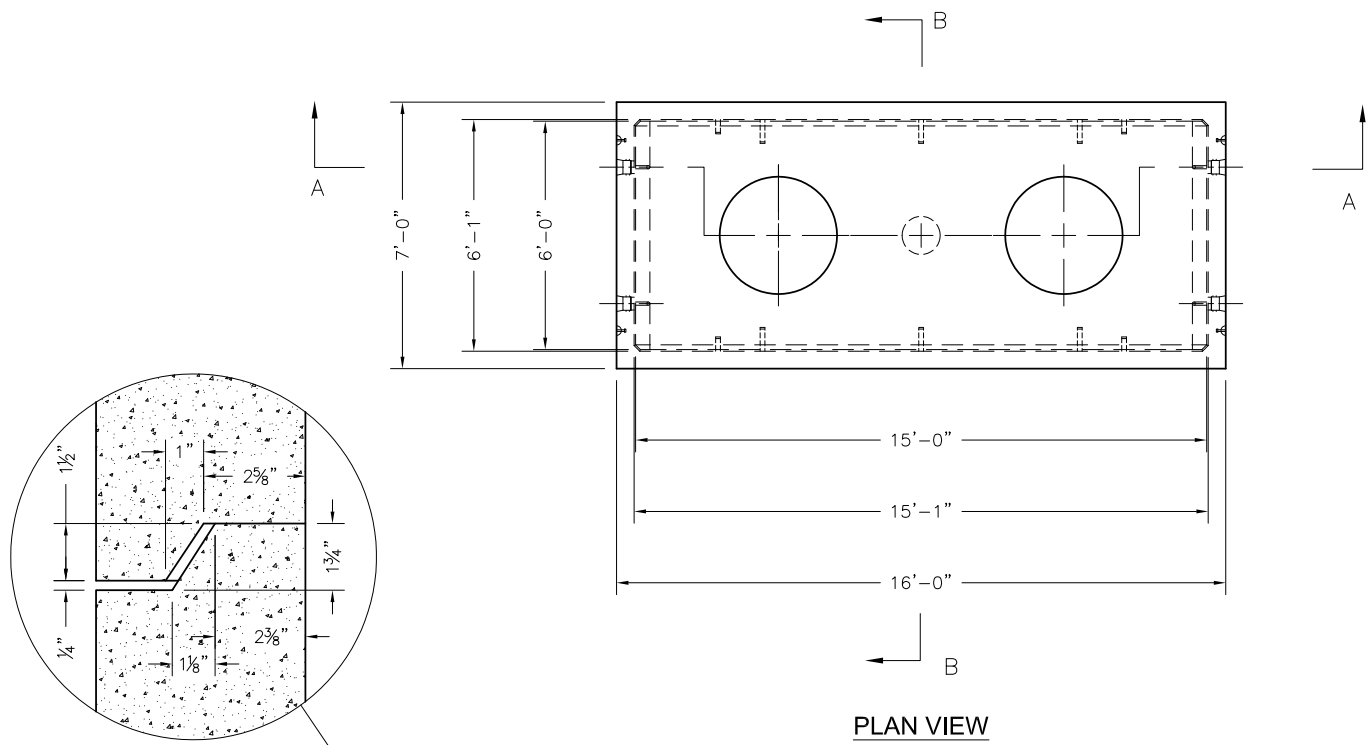
**6'x15'**  
**Qwest**

6'x15'x7' Vault  
Communications Vault  
Qwest Standard



GENERAL NOTES:

1. Vaults are Designed to Meet ASTM C857 or ACI 318 with AASHTO HS-20 Loading.
2. See U.S. West Specifications Governing. Vault Openings.



**Oldcastle Precast**  
 801 West 12th Street  
 Ogden, Utah 84404

Phone: (801) 399-1171  
 Fax: (801) 392-7849

For more information about our products, please visit  
[oldcastleprecast.com](http://oldcastleprecast.com)

[oldcastleprecast.com](http://oldcastleprecast.com)