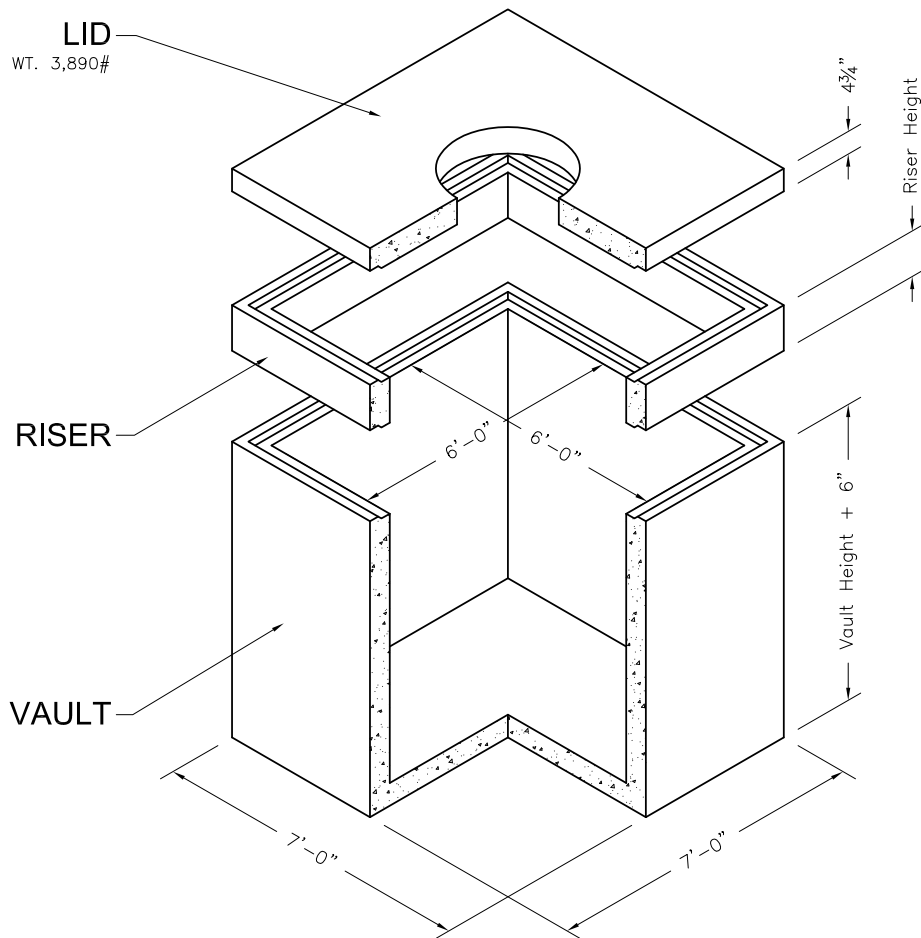


6'x6' Vault

6'x6' Utility Vault
Bottom, Riser and Top



Riser

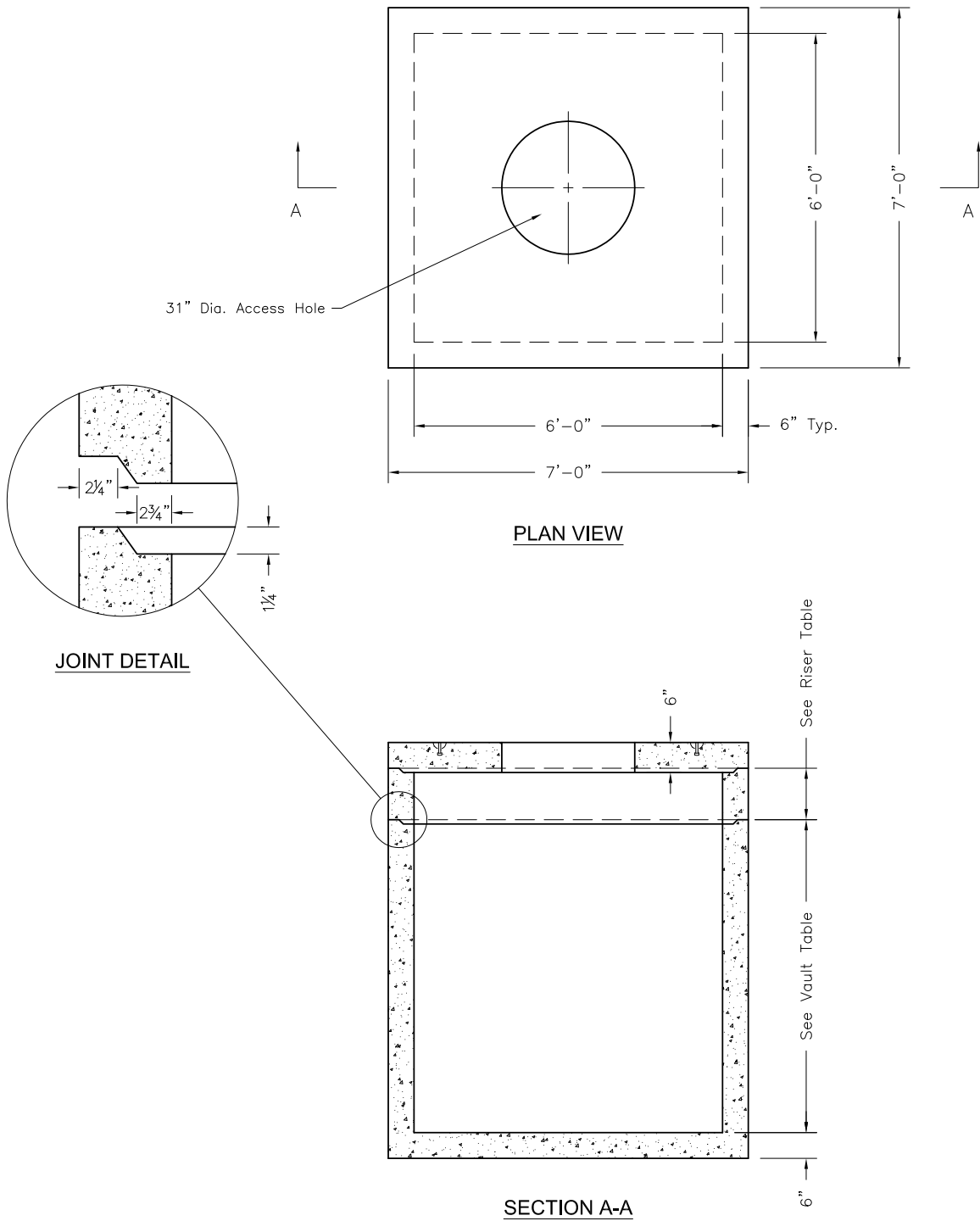
Height	Weight
1'	1,950#
2'	3,900#
3'	5,850#
4'	7,800#
5'	9,750#
6'	11,700#

Vault

Height	Weight
4'	11,320#
5'	13,270#
6'	15,220#

NOTES:

1. Vault design complies with ASTM C-857 and C-858 with less than 2' of earth cover and ar AASHTO HS-20 loading.
2. Lifting insert type and location may change without notice.



Oldcastle Precast
 801 West 12th Street
 Ogden, Utah 84404

Phone: (801) 399-1171
 Fax: (801) 392-7849

For more information about our products, please visit
oldcastleprecast.com

oldcastleprecast.com