

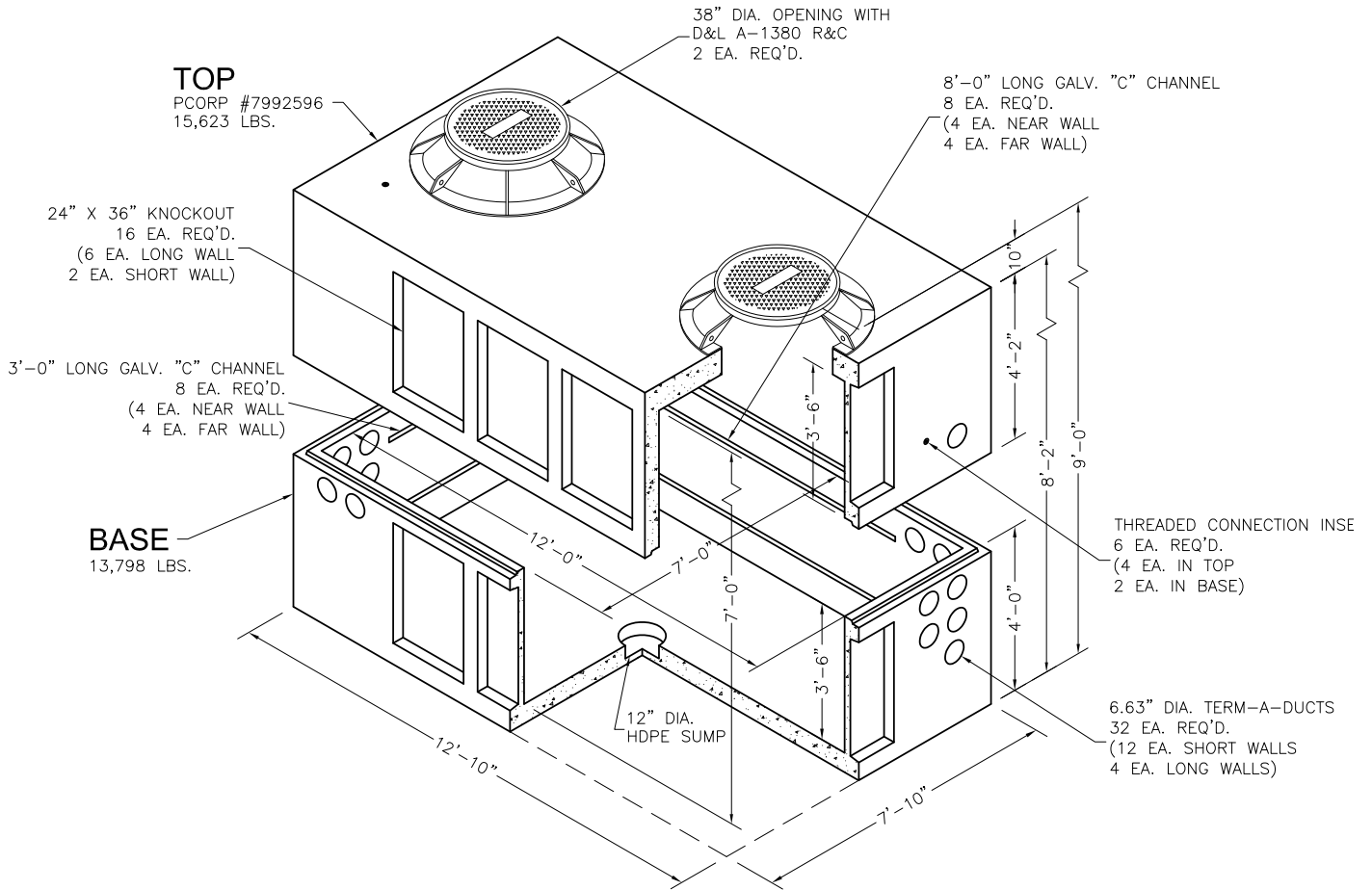
# GV 401

## 7'x12' Padvault Traffic / Switchgear Pacifcorp



### 7' X 12' MANHOLE

- FULL TRAFFIC VAULT, STOCK ITEM 7992596
- INCIDENTAL TRAFFIC VAULT, STOCK ITEM 7992597
- 15 KV, 600 AMPS, AIR INSULATED SWITCHGEAR PADVAULT, STOCK ITEM 7992598-STOCK ITEM 1720663
- 25 KV, 600 AMPS, AIR INSULATED SWITCHGEAR PADVAULT, STOCK ITEM 7992599-STOCK ITEM 1720673

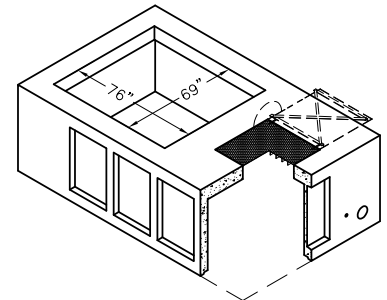
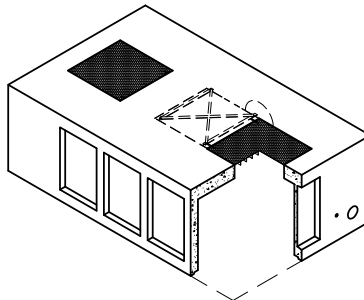
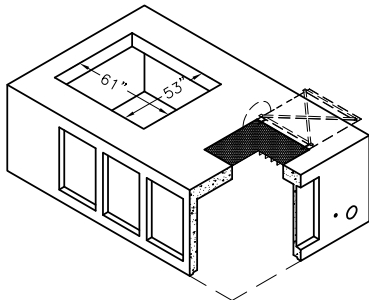


### OPTIONAL TOPS

15KV, 600 AMPS, AIR INSULATED SWITCHGEAR PADVAULT

INCIDENTAL TRAFFIC VAULT

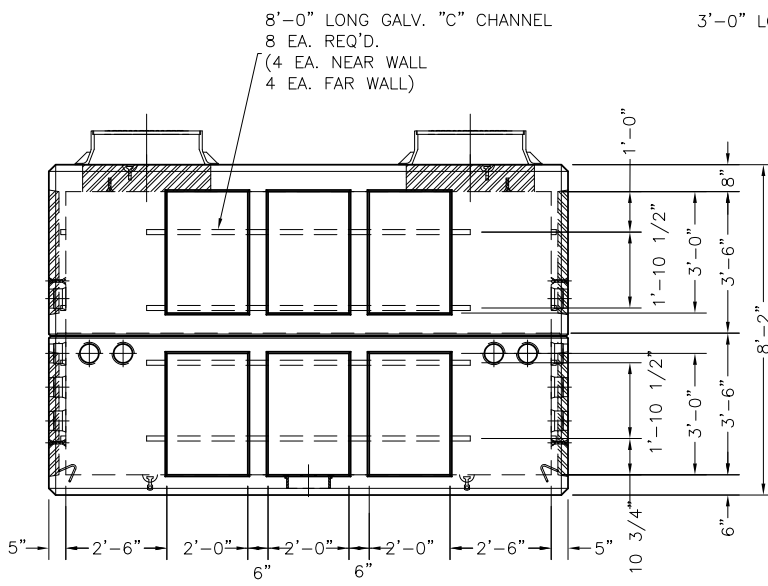
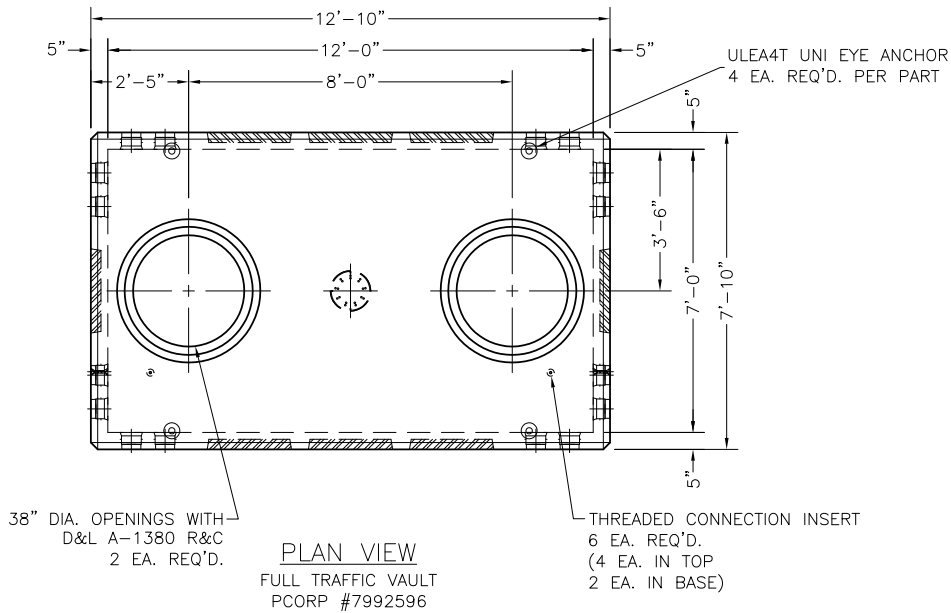
25KV, 600 AMPS, AIR INSULATED SWITCHGEAR PADVAULT



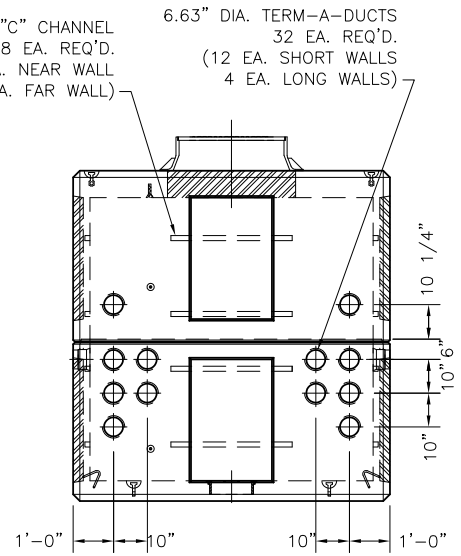
PCORP #7992598 - SI #1720663  
13,526 LBS.

PCORP #7992597  
14,871 LBS.

PCORP #7992599 - SI #1720673  
12,130 LBS.



**ELEVATION VIEW**



**END VIEW**

\*LIFTING DEVICE TYPE & LOCATION  
MAY CHANGE WITHOUT NOTICE.

**Oldcastle Precast**  
801 West 12th Street  
Ogden, Utah 84404

Phone: (801) 399-1171  
Fax: (801) 392-7849

For more information about our products, please visit  
**oldcastleprecast.com**

*oldcastleprecast.com*