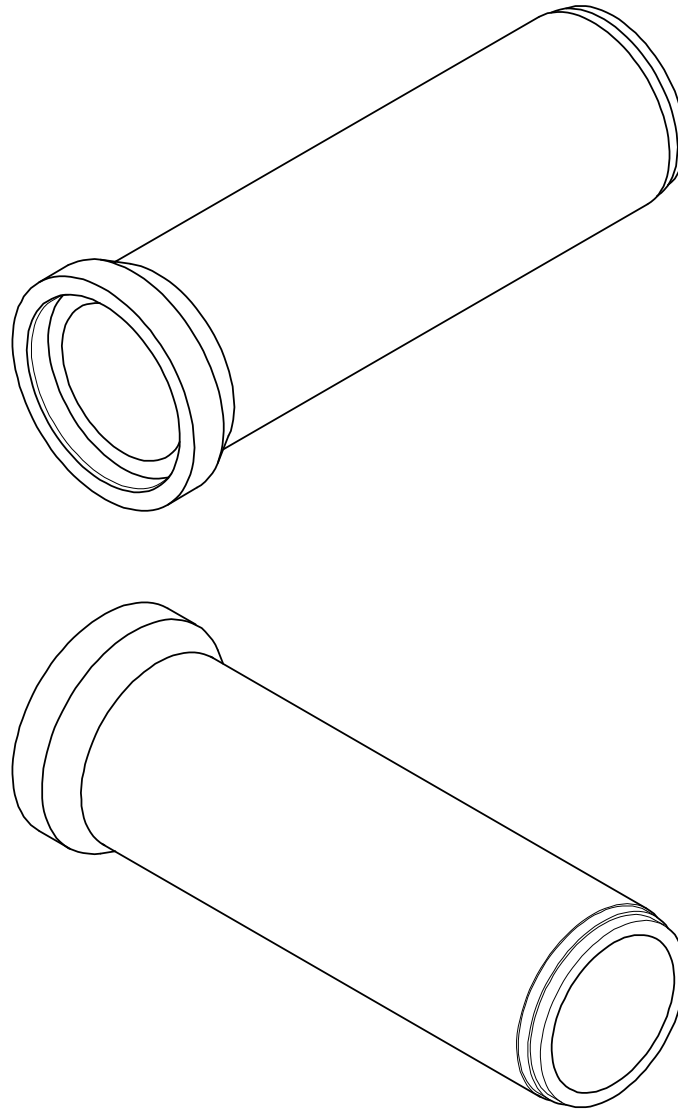
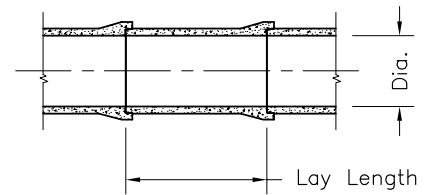


**Profile
Pipe**

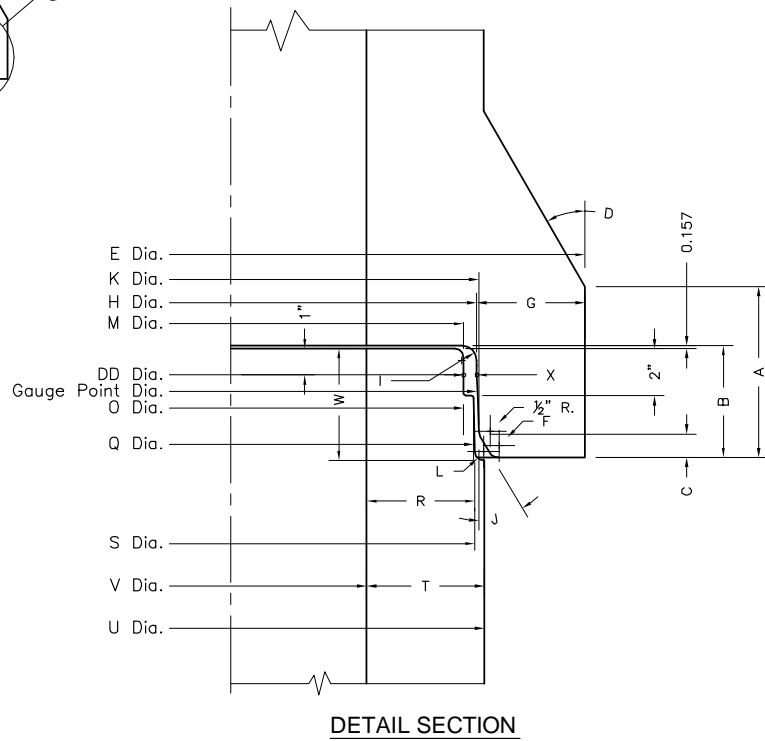
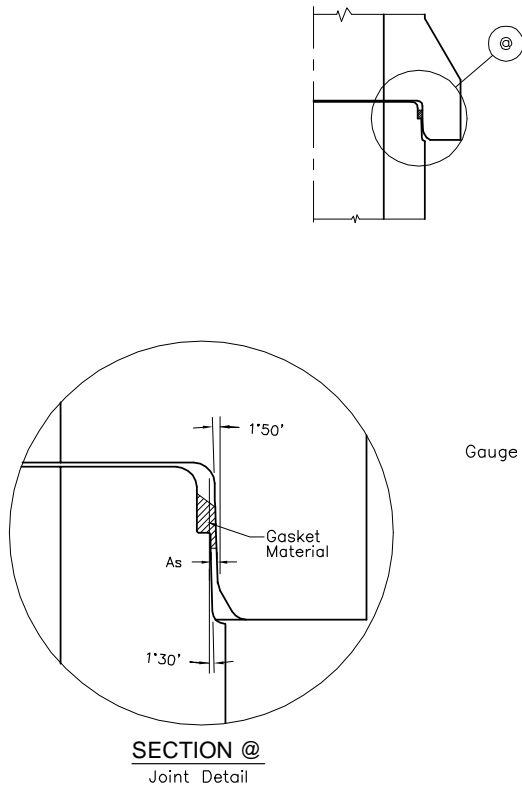
Concrete Pipe - 8' Length
12" thru 48"
Profile Joint



DIA.	WEIGHT / FT	ASTM SPECIFICATION & CLASS	
		REINFORCED	NON-REINFORCED
12"	120 #	C-76	C-14
15"	156 #	II, III, IV, V	3
18"	200 #	II, III, IV, V	3
21"	219 #	II, III, IV, V	3
24"	293 #	II, III, IV, V	2
30"	442 #	II, III, IV, V	1
36"	551 #	II, III, IV, V	1
42"	828 #	II, III, IV, V	-
48"	1,000 #	II, III, IV, V	-



- NOTES:
1. Pipe is also available in Low-Head Pressure pipe meeting ASTM C-361, up to 125 feet of head.
 2. Pipe fittings are available.



Diameter	A	B	C	D	E Dia.	F Radius	G	H Dia.
12"	5.125	3.750	0.625	30"	20.625	0.375	2.375	15.876
15"	5.250	3.750	0.625	30"	24.125	0.375	2.500	19.128
18"	5.250	3.750	0.625	30"	27.625	0.375	2.625	22.376
21"	5.375	3.750	0.625	30"	31.625	0.375	2.875	25.876
24"	5.750	3.875	0.625	30"	35.625	0.375	3.121	29.383
30"	6.125	3.875	0.625	30"	43.125	0.375	3.613	35.900
36"	6.375	3.875	0.625	30"	51.125	0.375	4.113	42.900
42"	6.750	4.625	1.125	30"	58.500	0.500	4.240	50.021
48"	7.250	4.750	1.125	30"	66.250	0.500	4.614	57.023

Inside Diameter	I Radius	J	K Dia.	L Radius	DD	Gauge Point	M Dia.	O Dia.	Q Dia.
12"	0.500	23"	16.076	0.125	14.940	15.940	14.876	15.004	15.816
15"	0.500	23"	19.328	0.125	18.190	19.192	18.126	18.254	19.066
18"	0.500	23"	22.576	0.125	21.440	22.440	21.376	21.504	22.316
21"	0.500	23"	26.076	0.125	24.940	25.940	24.876	25.004	25.816
24"	0.375	23"	29.591	0.125	28.447	29.447	28.383	28.511	29.323
30"	0.500	23"	36.108	0.250	34.972	35.996	34.908	35.036	36.028
36"	0.500	23"	43.108	0.250	41.972	43.028	41.908	42.036	42.848
42"	0.625	30"	50.245	0.375	49.093	50.085	49.029	49.157	49.969
48"	0.625	30"	57.255	0.375	56.095	57.087	56.031	56.159	56.971

Inside Diameter	R	S Dia.	T	U Dia.	V Dia.	W	X	As
12"	2.000	15.928	2.250	16.500	12.000	3.750	0.500	0.094
15"	2.125	19.178	2.375	19.750	15.000	3.750	0.500	0.094
18"	2.250	22.428	2.500	23.000	18.000	3.750	0.500	0.094
21"	2.500	25.928	2.750	26.500	21.000	3.750	0.500	0.094
24"	2.750	29.443	3.000	30.000	24.000	3.875	0.500	0.094
30"	3.074	36.148	3.500	37.000	30.000	3.875	0.496	0.090
36"	3.484	42.968	4.000	44.000	36.000	3.875	0.496	0.090
42"	4.069	50.137	4.500	51.000	42.000	4.625	0.496	0.090

Oldcastle Precast
801 West 12th Street
Ogden, Utah 84404

Phone: (801) 399-1171
Fax: (801) 392-7849

For more information about our products, please visit
oldcastleprecast.com

oldcastleprecast.com