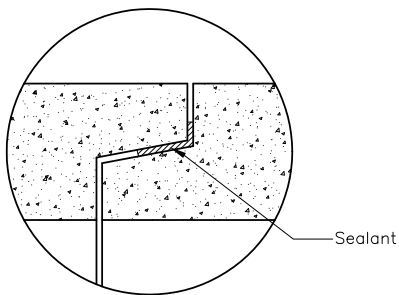
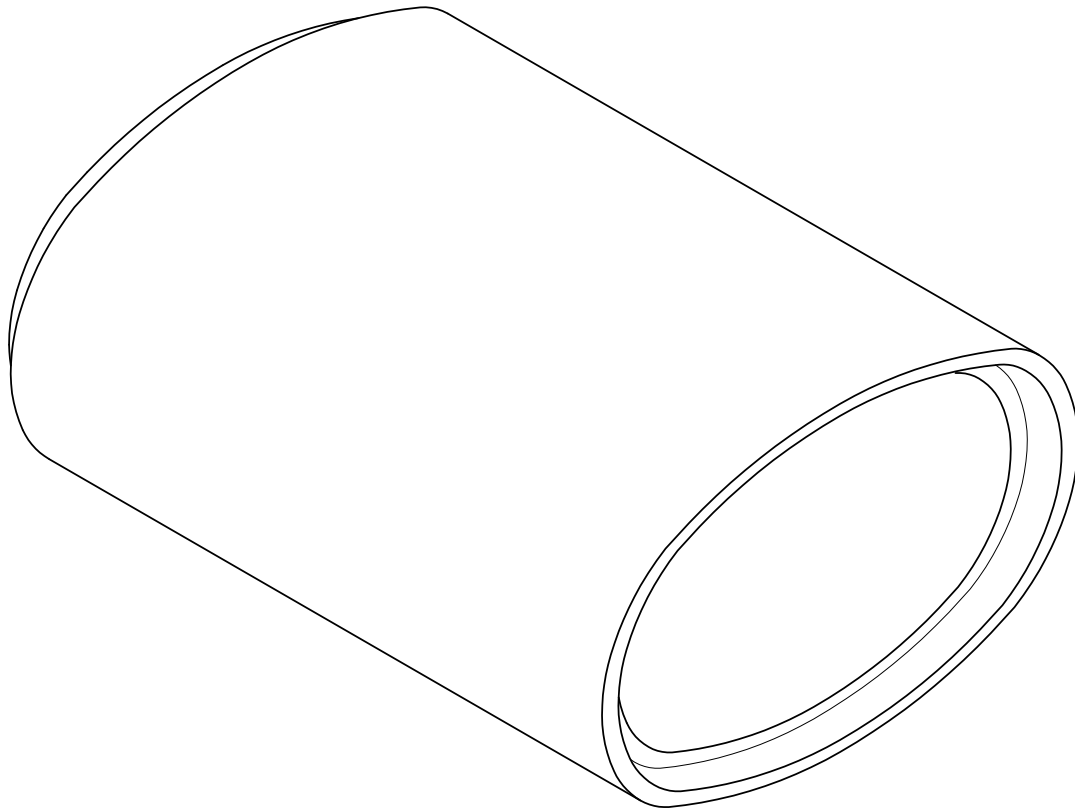


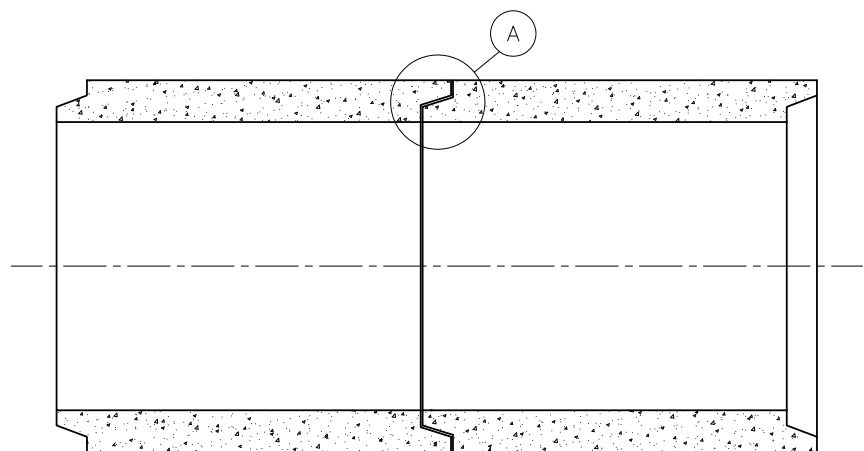
Elliptical Pipe

Elliptical Pipe



DETAIL A

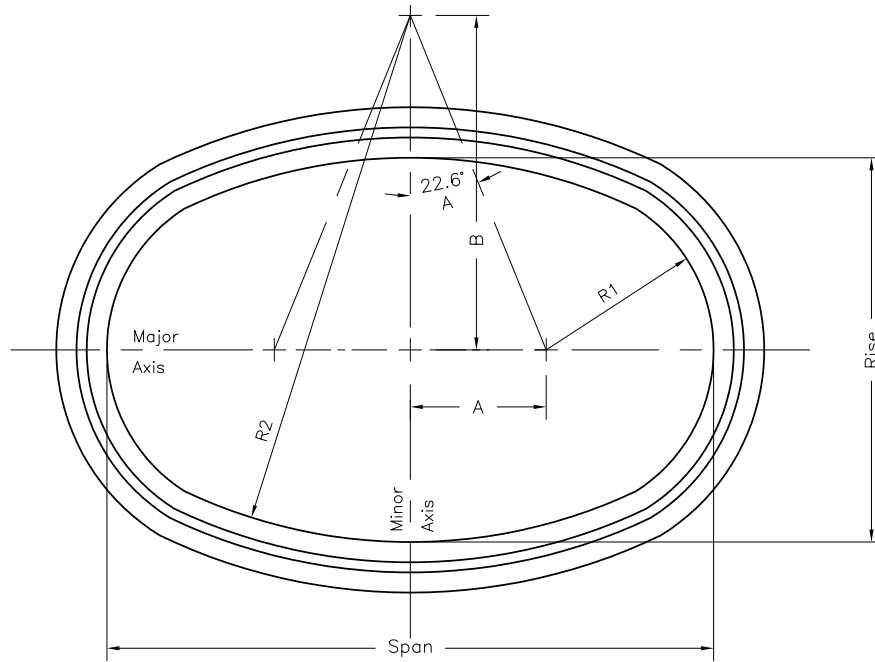
Sealant Detail



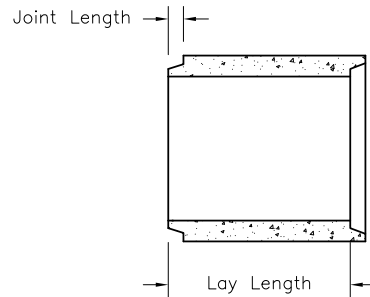
JOINT SECTION

NOTES:

1. Elliptical Pipe is designed to meet ASTM C-507.
2. Available in classes HEA, HE1 to HE4, VE2 to VE6.



END VIEW



CROSS SECTION

Equiv. Diameter	Span	Rise	A IN.	B IN.	R1 IN.	R2 IN.	Wall Thickness	Lay Length	Joint Length	Cross Sectional Area (S.F.)	Approx. Weight Lbs./L.F.
18"	22.75"	14.25"	5.375	12.875	6.000	20.000	2 1/4"	8'-0"	2"	1.83	195
24"	30.25"	19.25"	6.875	16.625	8.250	26.250	3 1/4"	8'-0"	2"	3.28	300
30"	37.75"	24"	8.625	20.750	10.250	32.750	3 3/4"	8'-0"	2 1/2"	5.10	430
36"	45.50"	28.75"	10.500	24.875	12.250	39.250	4 1/2"	8'-0"	3"	7.36	625
42"	53.25"	34"	12.125	29.000	14.500	46.000	5"	7'-6"	NA	10.2	815
48"	60"	38.25"	13.500	32.375	16.500	51.500	5 1/2"	8'-0"	3 3/4"	12.9	1,000
54"	68"	43.50"	15.250	36.750	18.750	58.500	6"	8'-0"	4"	16.7	1,235
60"	75.50"	48.25"	17.000	40.875	20.750	65.000	6 1/2"	8'-0"	4"	20.5	1,475
66"	83"	53"	18.750	45.000	22.750	71.500	7"	7'-6"	NA	24.8	1,745
72"	90.50"	57.75"	20.500	49.125	24.750	78.000	7 1/2"	7'-6"	NA	29.4	2,040
78"	98"	62.75"	22.000	53.125	27.000	84.500	8"	6'-0"	NA	34.6	2,350
84"	105.50"	67.50"	23.750	57.000	29.000	90.750	8 1/2"	6'-0"	NA	40.1	2,680
90"	113"	72.50"	25.500	61.000	31.000	97.250	9"	6'-0"	NA	46.1	3,050
96"	120.50"	77.25"	27.000	65.125	33.250	103.750	9 1/2"	6'-0"	NA	52.4	3,420
102"	128"	82"	28.750	69.000	35.250	110.000	9 3/4"	6'-0"	NA	59.1	3,725
108"	135.50"	87"	30.250	72.750	37.500	116.250	10"	6'-0"	NA	66.4	4,050
114"	143"	91.75"	32.000	76.875	39.500	122.750	10 1/2"	6'-0"	NA	73.9	4,470
120"	150.75"	96.75"	33.875	80.875	41.500	129.250	11"	6'-0"	NA	82.1	4,930

Oldcastle Precast
801 West 12th Street
Ogden, Utah 84404

Phone: (801) 399-1171
Fax: (801) 392-7849

For more information about our products, please visit
oldcastleprecast.com

oldcastleprecast.com