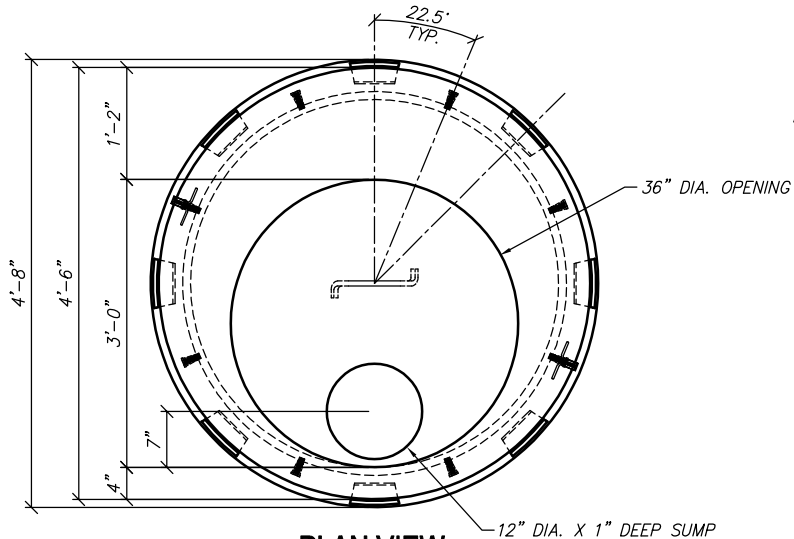
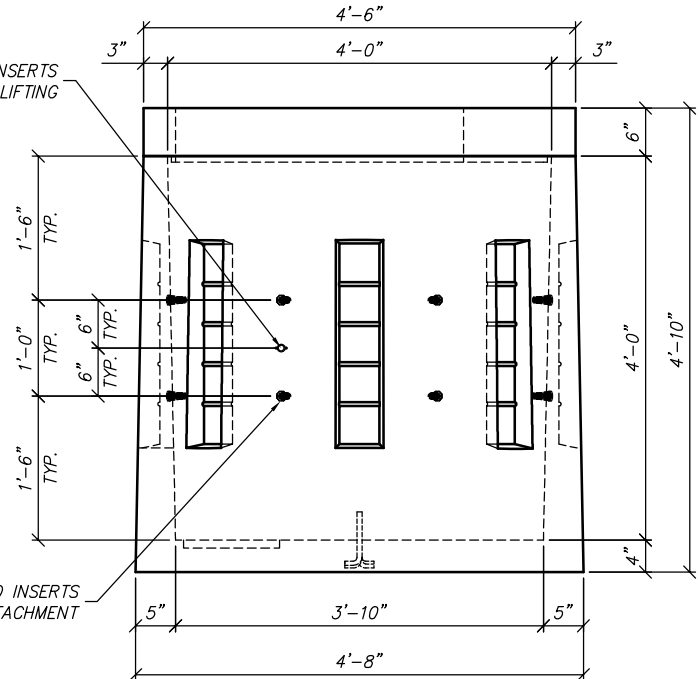


REV	DESCRIPTION	BY	DATE
A	MOVED 3/4" INSERTS TO EXTERIOR WALL	AT	5/29/12
B	CHANGED PULL IRON TO HOOK LIFT	AT	10/5/12
C	NCS UPDATES	CP	6/27/17



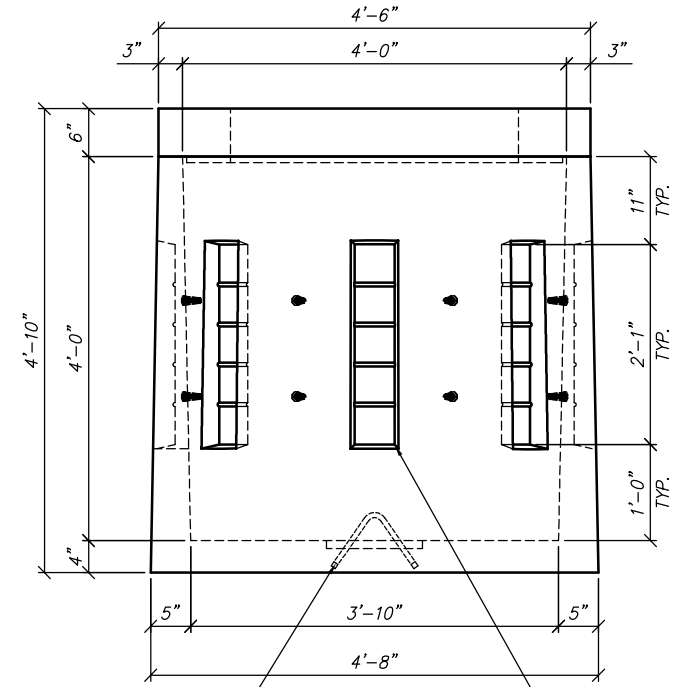
**PLAN VIEW**  
SCALE: 1/2" = 1'-0"

(2) 3/4" THIN SLAB FERRULE INSERTS  
EXTERIOR WALL 180° APART FOR LIFTING



**END VIEW**  
SCALE: 1/2" = 1'-0"

(16) 1/2" THREADED INSERTS  
INTERIOR WALL FOR RACKING ATTACHMENT



**SIDE VIEW**  
SCALE: 1/2" = 1'-0"

BURKE 8" HOOK LIFT  
(USED ONLY FOR PULLING)


(8) 6" X 26" X 2" DEEP KNOCKOUTS

**STRUCTURAL NOTES**

1. CONCRETE: 28 DAY COMPRESSIVE STRENGTH  $f_c = 5,000$  psi
2. REBAR: ASTM A-615 GRADE 60  
ASTM A-185 GRADE 65
3. MESH: ASTM A-497 GRADE 65
4. DESIGN: ACI 318-08 BUILDING CODE  
ASTM C-478 "STANDARD SPECIFICATION FOR PRECAST CONCRETE MANHOLE SECTIONS" AASHTO M199
5. LOADS: HS20-44 W/30% IMPACT PER AASHTO  
120 PCF SOIL DENSITY
6. SOIL COVER: 0' TO 5' (MAX.)

**GENERAL NOTES**

1. ALL JOINTS SHALL BE SEALED USING CONSEAL CS-102 BUTYL RUBBER ROPE.



**Oldcastle Precast**<sup>®</sup>  
411 E. FRYE RD. CHANDLER, AZ 85225  
PHONE: (480) 963-2878

THIS DOCUMENT IS THE PROPERTY OF OLDCASTLE PRECAST, INC. IT IS CONFIDENTIAL, SUBMITTED FOR REFERENCE PURPOSES ONLY, AND SHALL NOT BE USED IN ANY WAY INJURIOUS TO THE INTERESTS OF, OR WITHOUT THE WRITTEN PERMISSION OF OLDCASTLE PRECAST, INC. COPYRIGHT ©2017 OLDCASTLE PRECAST, INC. ALL RIGHTS RESERVED

**48" DIA. FIBER OPTIC VAULT**

CUSTOMER					
STANDARD					
DATE	SALES	DRAWN	ENGINEER	CHECKED	SALES ORDER
2/24/12		AT			---
DRAWING NUMBER				REVISION	SHEET
V18L1-1				---	1 OF 1
				REV DATE	