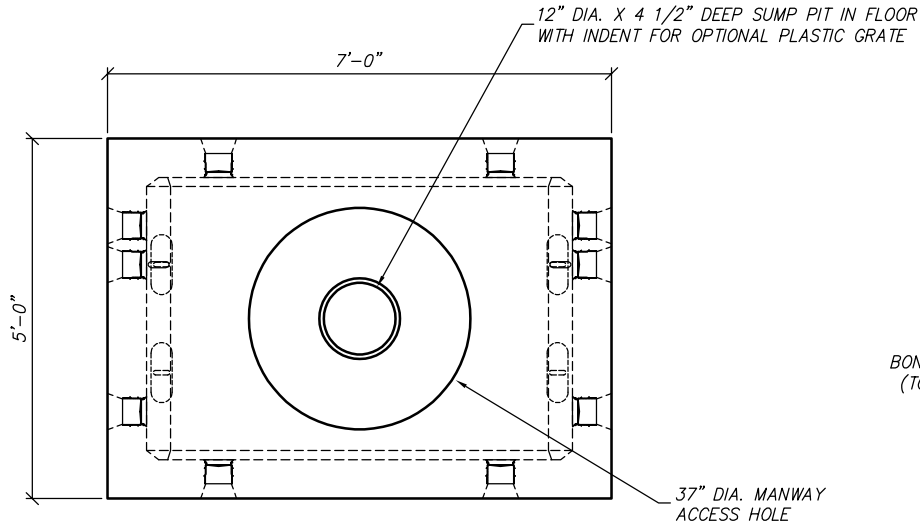
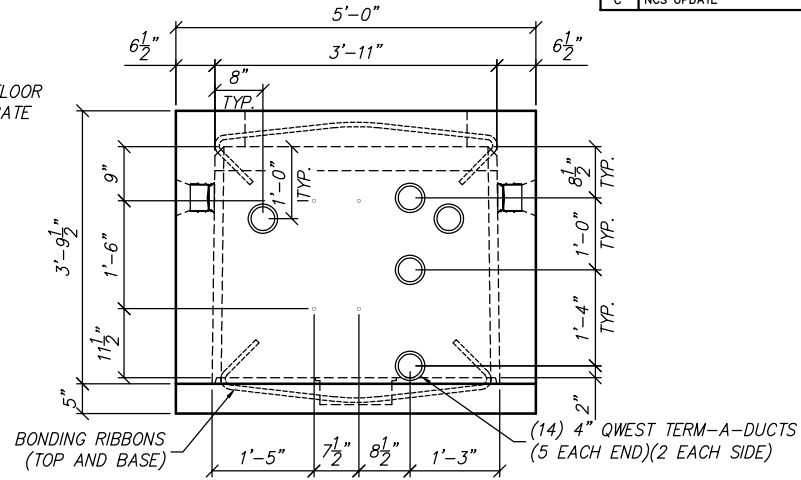


REV	DESCRIPTION	BY	DATE
A	MOVED SIDE TERM-A-DUCTS UP	FS	12/16/03
B	REMOVED PAINT INTERIOR & CHANGED TB	JD	02/19/08
C	NCS UPDATE	CP	6/27/17



**PLAN VIEW**

SCALE: 3/8" = 1'-0"



**END VIEW**

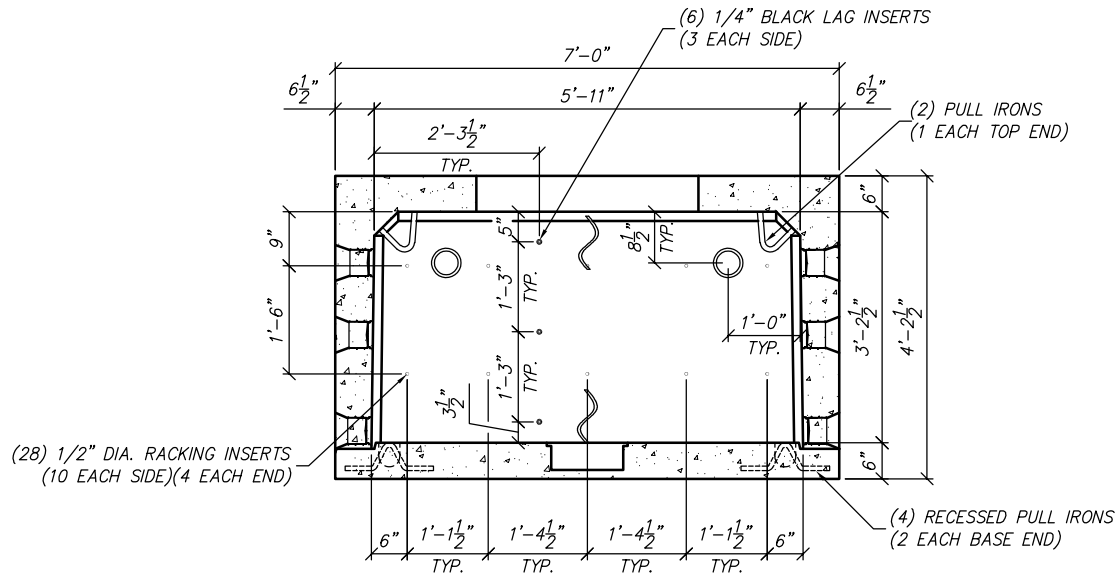
SCALE: 3/8" = 1'-0"

**STRUCTURAL NOTES**

1. CONCRETE: 28 DAY COMPRESSIVE STRENGTH  $f_c = 5,000$  psi
2. REBAR: ASTM A-615 GRADE 60
3. MESH: ASTM A-1084 GRADE 65
4. DESIGN: ACI 318-14 BUILDING CODE  
ASTM C-857 "MINIMUM STRUCTURAL DESIGN LOADING FOR UNDERGROUND PRECAST CONCRETE UTILITY STRUCTURES"
5. LOADS: HS20-44 W/30% IMPACT PER AASHTO  
80 PSF LATERAL LIVE LOAD SURCHARGE - UP TO 8'-0" DEPTH  
SOIL: 40 PCF LATERAL SOIL PRESSURE ABOVE WATER TABLE  
80 PCF LATERAL SOIL PRESSURE BELOW WATER TABLE  
120 PCF SOIL DENSITY
6. SOIL COVER: 0' TO 5' (MAX.)
7. WATER TABLE: 5'-0" BELOW GRADE

**GENERAL NOTES**

1. ALL JOINTS SHALL BE SEALED USING CONSEAL CS-101 BUTYL RUBBER ROPE.



**SECTION VIEW**

SCALE: 3/8" = 1'-0"



THIS DOCUMENT IS THE PROPERTY OF OLDCASTLE PRECAST, INC. IT IS CONFIDENTIAL, SUBMITTED FOR REFERENCE PURPOSES ONLY, AND SHALL NOT BE USED IN ANY WAY INJURIOUS TO THE INTERESTS OF, OR WITHOUT THE WRITTEN PERMISSION OF OLDCASTLE PRECAST, INC. COPYRIGHT ©2017 OLDCASTLE PRECAST, INC. ALL RIGHTS RESERVED

464 - TA

CUSTOMER STANDARD					
DATE	SALES	DRAWN	ENGINEER	CHECKED	SALES ORDER
9/10/99		LC			---
DRAWING NUMBER				REVISION	SHEET
V24T1-1				B	1 OF 1
				REV DATE	