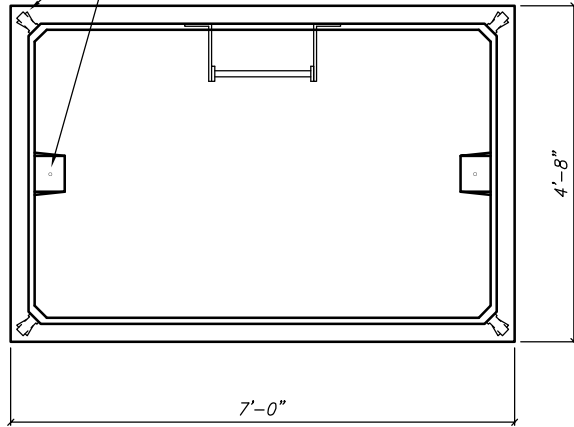


REV	DESCRIPTION	BY	DATE
A	NCS UPDATES	CP	7/11/17

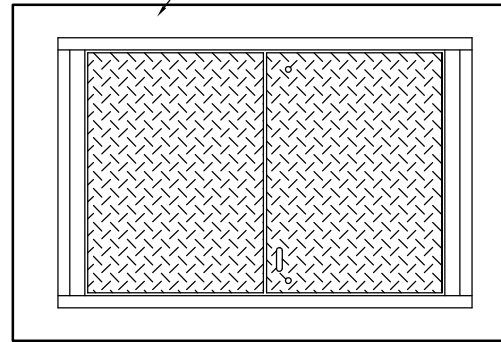
(6) 1 1/4" DIA. INSERTS  
(FOR CABLE PULLING EYE BOLTS)  
(1 EACH CORNER)  
(2 ON FLOOR)



**PLAN VIEW**

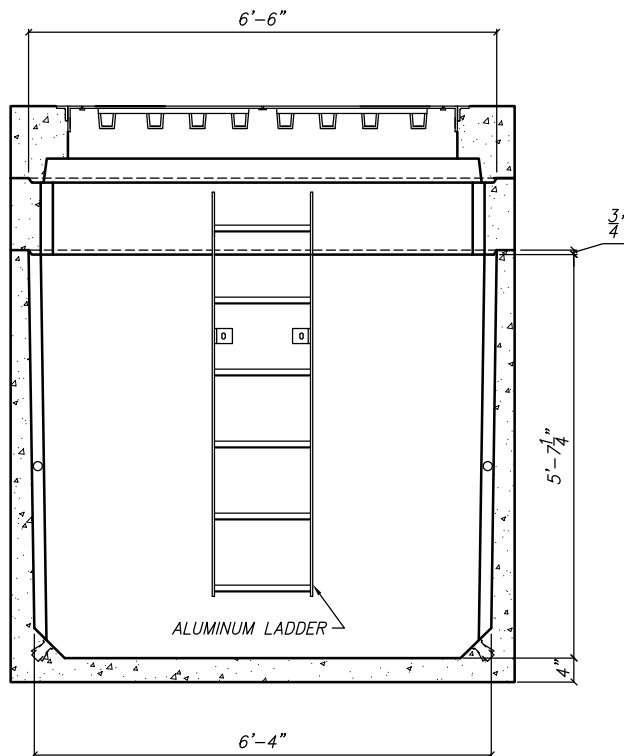
SCALE: 3/8" = 1'-0"

COVER NO. 57-3660



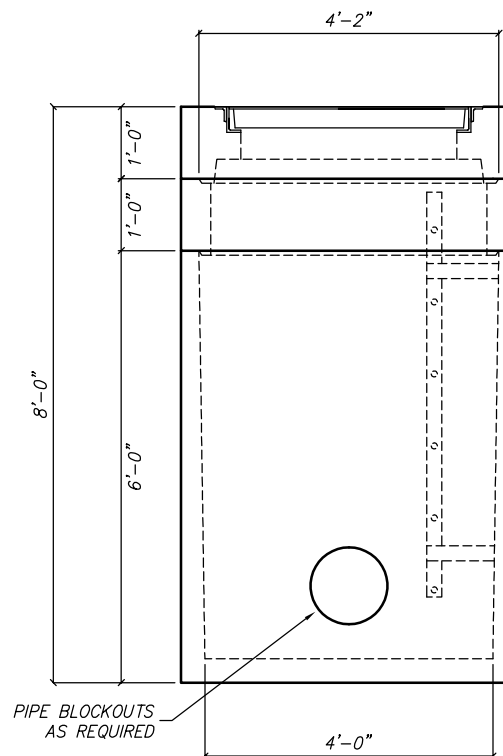
**PLAN VIEW WITH COVER**

SCALE: 3/8" = 1'-0"



**SECTION VIEW**

SCALE: 3/8" = 1'-0"



**END VIEW**

SCALE: 3/8" = 1'-0"

**STRUCTURAL NOTES**

1. CONCRETE: 28 DAY COMPRESSIVE STRENGTH  $f_c = 5,000$  psi
2. REBAR: ASTM A-615 GRADE 60
3. MESH: ASTM A-1064 GRADE 65
4. DESIGN: ACI 318-14 BUILDING CODE  
ASTM C-857 "MINIMUM STRUCTURAL DESIGN  
LOADING FOR UNDERGROUND PRECAST  
CONCRETE UTILITY STRUCTURES"
5. LOADS: NON-TRAFFIC  
SOIL: 40 PCF LATERAL SOIL PRESSURE ABOVE WATER TABLE  
80 PCF LATERAL SOIL PRESSURE BELOW WATER TABLE  
120 PCF SOIL DENSITY
6. SOIL COVER: 0' TO 5' (MAX.)
7. WATER TABLE: 5'-0" BELOW GRADE

**GENERAL NOTES**

1. ALL JOINTS SHALL BE SEALED USING CONSEAL CS-101 BUTYL RUBBER ROPE.



THIS DOCUMENT IS THE PROPERTY OF OLDCASTLE PRECAST, INC. IT IS CONFIDENTIAL, SUBMITTED FOR REFERENCE PURPOSES ONLY, AND SHALL NOT BE USED IN ANY WAY INJURIOUS TO THE INTERESTS OF, OR WITHOUT THE WRITTEN PERMISSION OF OLDCASTLE PRECAST, INC. COPYRIGHT ©2017 OLDCASTLE PRECAST, INC. ALL RIGHTS RESERVED

**577 FLUME VAULT**

CUSTOMER					
<b>STANDARD</b>					
DATE	SALES	DRAWN	ENGINEER	CHECKED	SALES ORDER
1/23/96		JM			---
DRAWING NUMBER				REVISION	SHEET
V28W2-1				REV DATE	1 OF 1