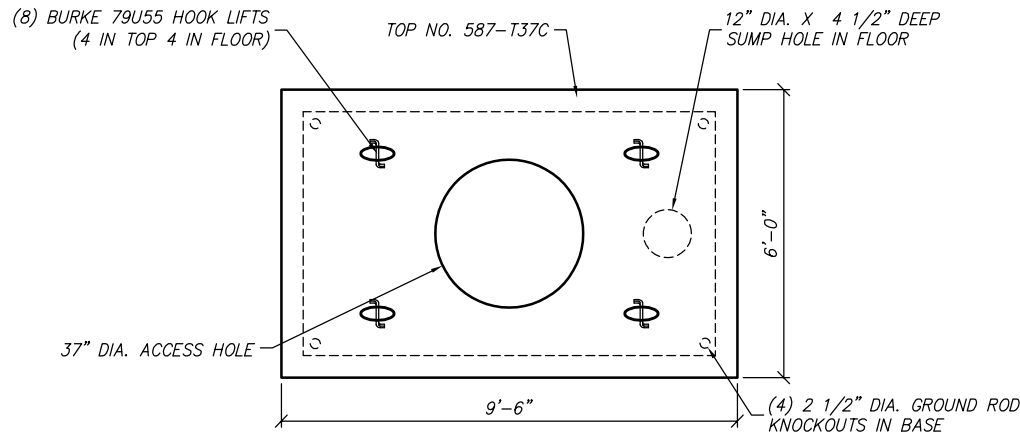


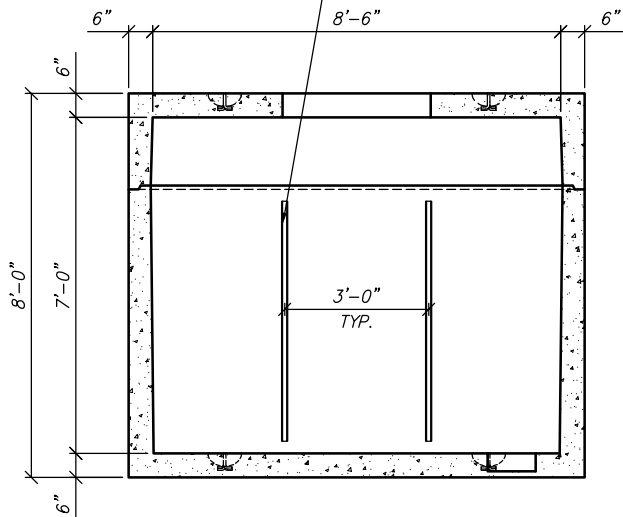
REV	DESCRIPTION	BY	DATE
A	REMOVED DUCTS K.O. AND PULLING IRONS ON SIDE WALL	AT	2/19/04
B	CHANGED SUMP TO 5" DEEP	AT	5/4/06
C	CHANGE OF TITLE-TEMPLATE & NOTES	JS	2/6/08
D	ADDED HOOK LIFTS	AT	11/13/09
E	INCREASED MAX DEPTH CAPACITY	AT	8/18/10
F	ADDED DIMENSIONS AND NOTES IN END VIEW	AT	8/18/10
G	CHANGED WATER TABLE TO BELOW VAULT	AT	3/8/11
H	NCS UPDATES	CP	6/26/17



PLAN VIEW

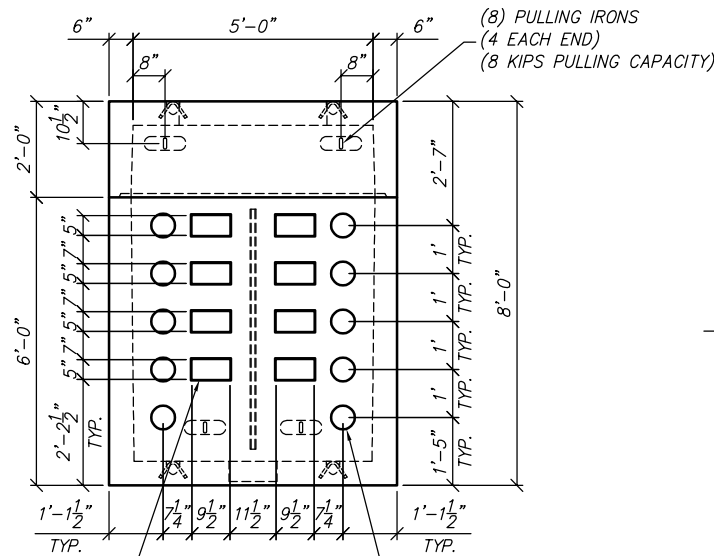
SCALE: 1/4" = 1'-0"

(6) P3200 UNISTRUT (5'-0")
(2 EACH SIDE)(1 EACH END)



SECTION VIEW

SCALE: 1/4" = 1'-0"



END VIEW

SCALE: 1/4" = 1'-0"

STRUCTURAL NOTES

1. CONCRETE: 28 DAY COMPRESSIVE STRENGTH $f_c = 7,000$ psi
2. REBAR: ASTM A-615 GRADE 60
3. MESH: ASTM A-1064 GRADE 85
4. DESIGN: ACI 318-14 BUILDING CODE
ASTM C-857 "MINIMUM STRUCTURAL DESIGN LOADING FOR UNDERGROUND PRECAST CONCRETE UTILITY STRUCTURES"
5. LOADS: HS20-44 W/30% IMPACT PER AASHTO
80 PSF LATERAL LIVE LOAD SURCHARGE - UP TO 8'-0" DEPTH
SOIL: 40 PCF LATERAL SOIL PRESSURE ABOVE WATER TABLE
120 PCF SOIL DENSITY
6. SOIL COVER: 0' TO 11' (MAX.)
7. WATER TABLE: BELOW VAULT

GENERAL NOTES

1. ALL JOINTS SHAL BE SEALED USING CONSEAL CS-101 BUTYL RUBBER ROPE.



THIS DOCUMENT IS THE PROPERTY OF OLDCASTLE PRECAST, INC. IT IS CONFIDENTIAL, SUBMITTED FOR REFERENCE PURPOSES ONLY, AND SHALL NOT BE USED IN ANY WAY INJURIOUS TO THE INTERESTS OF, OR WITHOUT THE WRITTEN PERMISSION OF OLDCASTLE PRECAST, INC. COPYRIGHT ©2017 OLDCASTLE PRECAST, INC. ALL RIGHTS RESERVED

587-LA

ELECTRICAL VAULT

CUSTOMER
STANDARD

DATE	SALES	DRAWN	ENGINEER	CHECKED	SALES ORDER
6/29/17		JS			
DRAWING NUMBER				REVISION	SHEET
V36L1-1				G REV DATE 3/8/11	1 OF 1