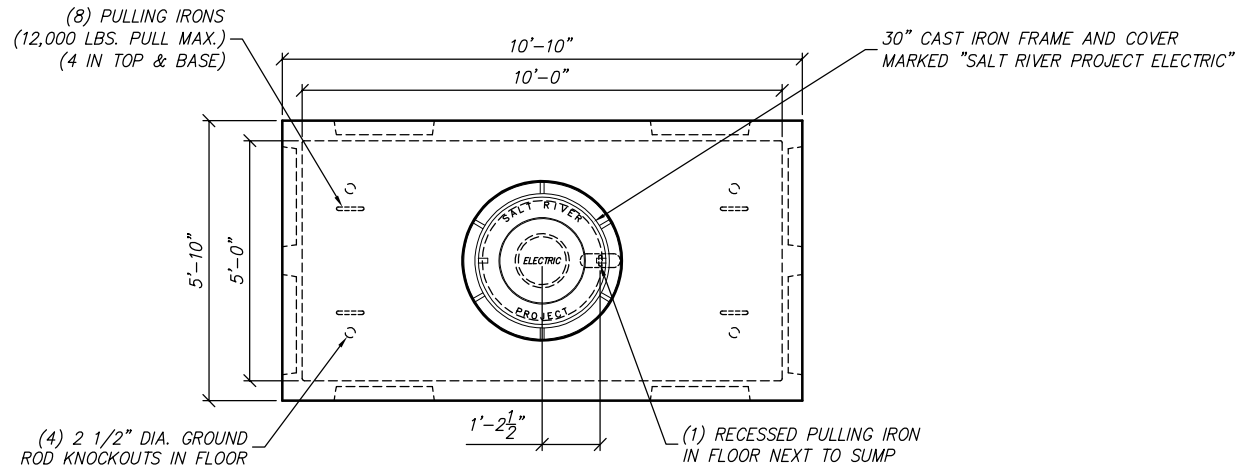
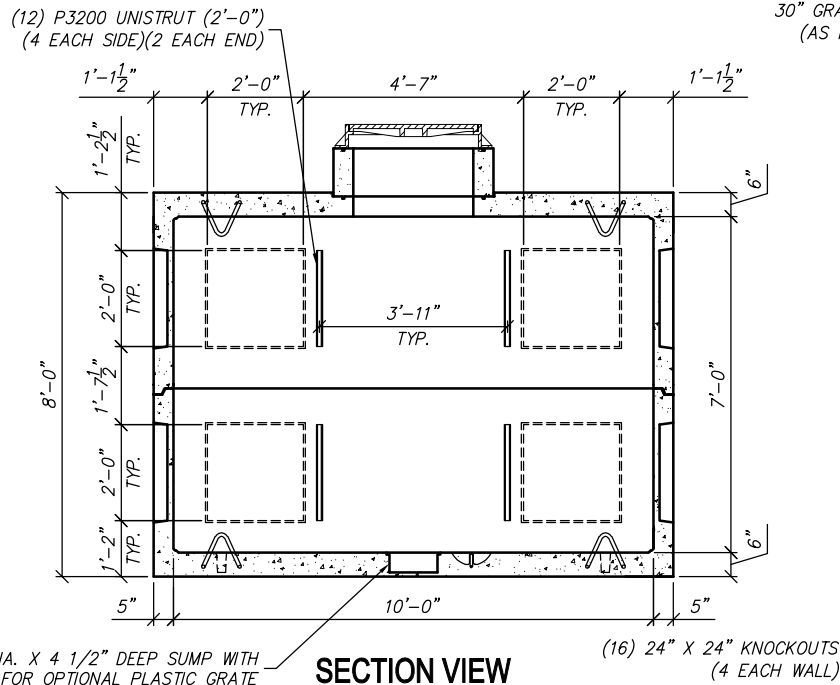


REV	DESCRIPTION	BY	DATE
A	NCS UPDATES	CP	6/27/17



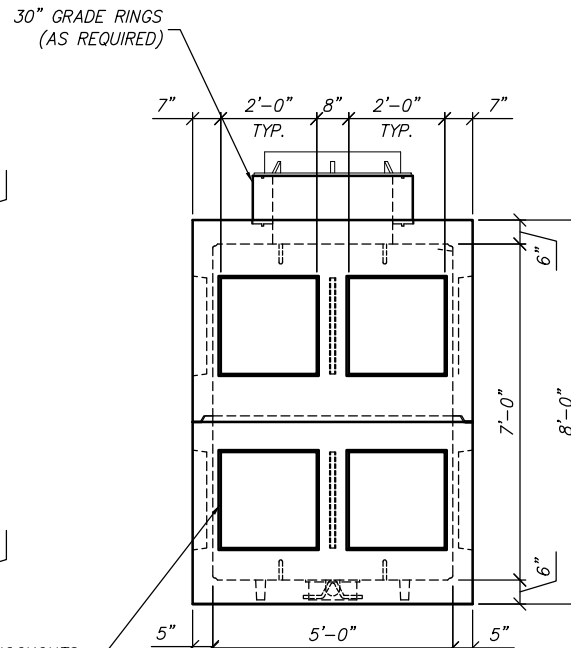
### PLAN VIEW

SCALE: 1/4" = 1'-0"



### SECTION VIEW

SCALE: 1/4" = 1'-0"



### END VIEW

SCALE: 1/4" = 1'-0"

### STRUCTURAL NOTES

- CONCRETE: 28 DAY COMPRESSIVE STRENGTH  $f_c$  BASE = 5,000 psi  
TOP = 7,000 psi
- REBAR: ASTM A-615 GRADE 60
- MESH: ASTM A-1064 GRADE 65
- DESIGN: ACI 318-14 BUILDING CODE  
ASTM C-857 "MINIMUM STRUCTURAL DESIGN  
LOADING FOR UNDERGROUND PRECAST  
CONCRETE UTILITY STRUCTURES"
- LOADS: HS20-44 W/30% IMPACT PER AASHTO  
80 PSF LATERAL LIVE LOAD SURCHARGE - UP TO 8'-0" DEPTH  
SOIL: 40 PCF LATERAL SOIL PRESSURE ABOVE WATER TABLE  
80 PCF LATERAL SOIL PRESSURE BELOW WATER TABLE  
120 PCF SOIL DENSITY
- SOIL COVER: 0' TO 5' (MAX.)
- WATER TABLE: 5'-0" BELOW GRADE

### GENERAL NOTES

- ALL JOINTS SHALL BE SEALED USING CONSEAL CS-101 BUTYL RUBBER ROPE.



THIS DOCUMENT IS THE PROPERTY OF OLDCASTLE PRECAST, INC. IT IS CONFIDENTIAL, SUBMITTED FOR REFERENCE PURPOSES ONLY, AND SHALL NOT BE USED IN ANY WAY INJURIOUS TO THE INTERESTS OF, OR WITHOUT THE WRITTEN PERMISSION OF OLDCASTLE PRECAST, INC. COPYRIGHT ©2017 OLDCASTLE PRECAST, INC. ALL RIGHTS RESERVED

### 510-SRP (NEW STYLE) PRECAST VAULT

ELECTRICAL DISTRIBUTION CONSTRUCTION STANDARDS  
SRP

### CUSTOMER SALT RIVER PROJECT STANDARD

DATE	SALES PK	DRAWN AT	ENGINEER	CHECKED	SALES ORDER
2/14/14					---
DRAWING NUMBER				REVISION	SHEET
V37L4-1				---	1 OF 1
				REV DATE	
				---	