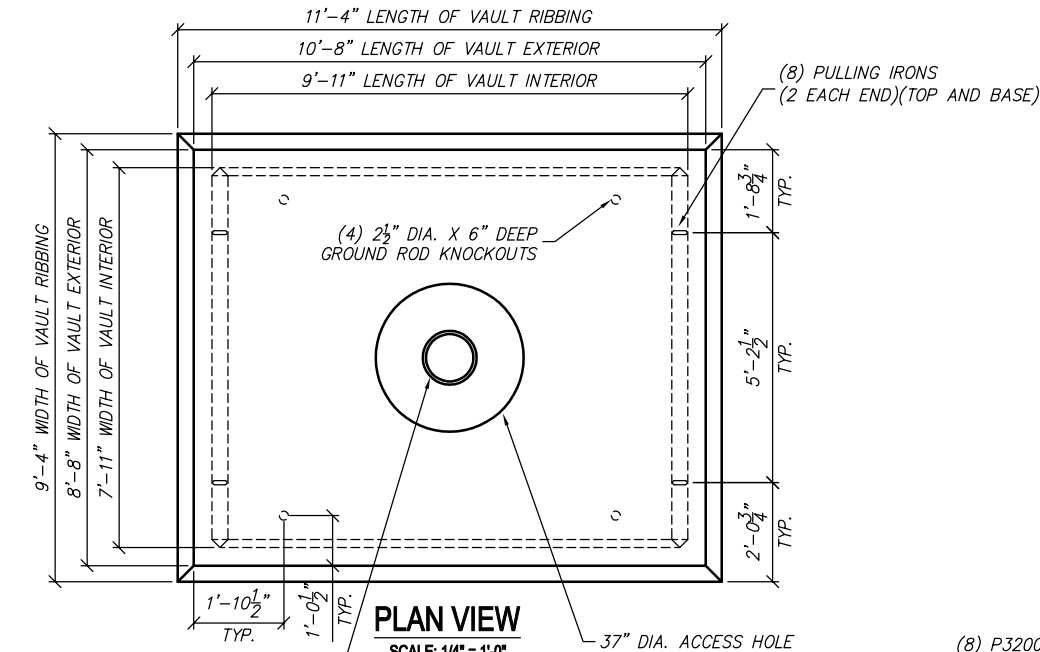
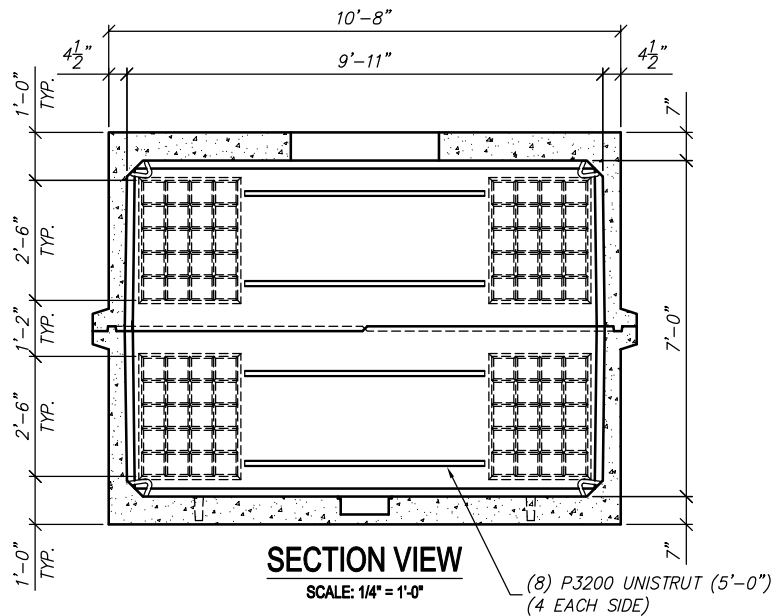
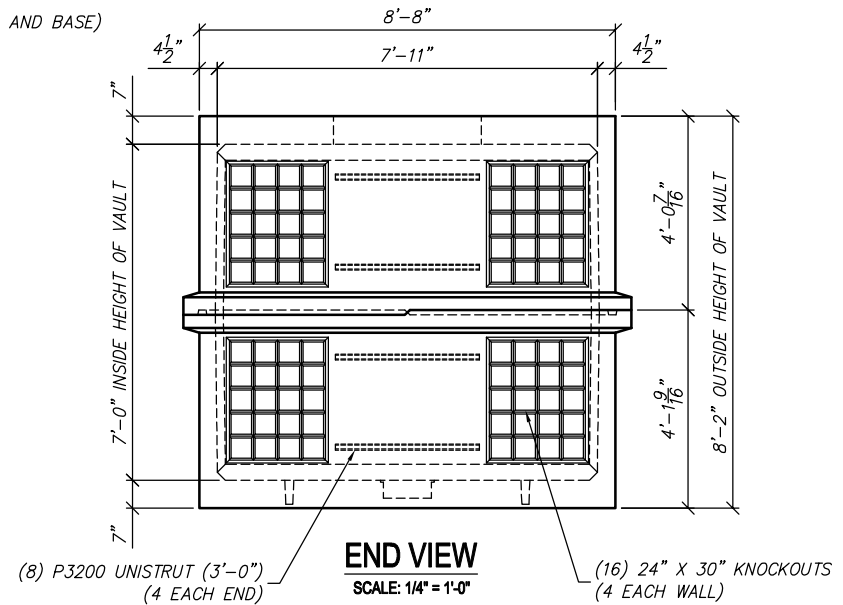


REV	DESCRIPTION	BY	DATE
A	NEW TITLE BLOCK & CHANGED NOTES TO 7000 PSI	JD	9/05/08
B	NCS UPDATES	CP	7/19/17



12" DIA. X 4 1/2" DEEP SUMP WITH LIP FOR OPTIONAL PLASTIC GRATE



### STRUCTURAL NOTES

1. CONCRETE: 28 DAY COMPRESSIVE STRENGTH  $f_c = 5,000$  psi
2. REBAR: ASTM A-615 GRADE 60
3. MESH: ASTM A-1064 GRADE 65
4. DESIGN: ACI 318-14 BUILDING CODE  
 ASTM C-857 "MINIMUM STRUCTURAL DESIGN LOADING FOR UNDERGROUND PRECAST CONCRETE UTILITY STRUCTURES"
5. LOADS: HS20-44 W/30% IMPACT PER AASHTO  
 80 PSF LATERAL LIVE LOAD SURCHARGE - UP TO 8'-0" DEPTH  
 SOIL: 40 PCF LATERAL SOIL PRESSURE ABOVE WATER TABLE  
 80 PCF LATERAL SOIL PRESSURE BELOW WATER TABLE  
 120 PCF SOIL DENSITY
6. SOIL COVER: 0' TO 5" (MAX.)
7. WATER TABLE: 5'-0" BELOW GRADE

### GENERAL NOTES

1. ALL JOINTS SHALL BE SEALED USING CONSEAL CS-101 BUTYL RUBBER ROPE.



THIS DOCUMENT IS THE PROPERTY OF OLDCASTLE PRECAST, INC. IT IS CONFIDENTIAL, SUBMITTED FOR REFERENCE PURPOSES ONLY, AND SHALL NOT BE USED IN ANY WAY INJURIOUS TO THE INTERESTS OF, OR WITHOUT THE WRITTEN PERMISSION OF OLDCASTLE PRECAST, INC. COPYRIGHT ©2017 OLDCASTLE PRECAST, INC. ALL RIGHTS RESERVED

810-LA

CUSTOMER  
**STANDARD**

DATE	SALES	DRAWN	ENGINEER	CHECKED	SALES ORDER
7/12/17		JM			
DRAWING NUMBER				REVISION	SHEET
V64L1-1				— REV DATE	1 OF 3