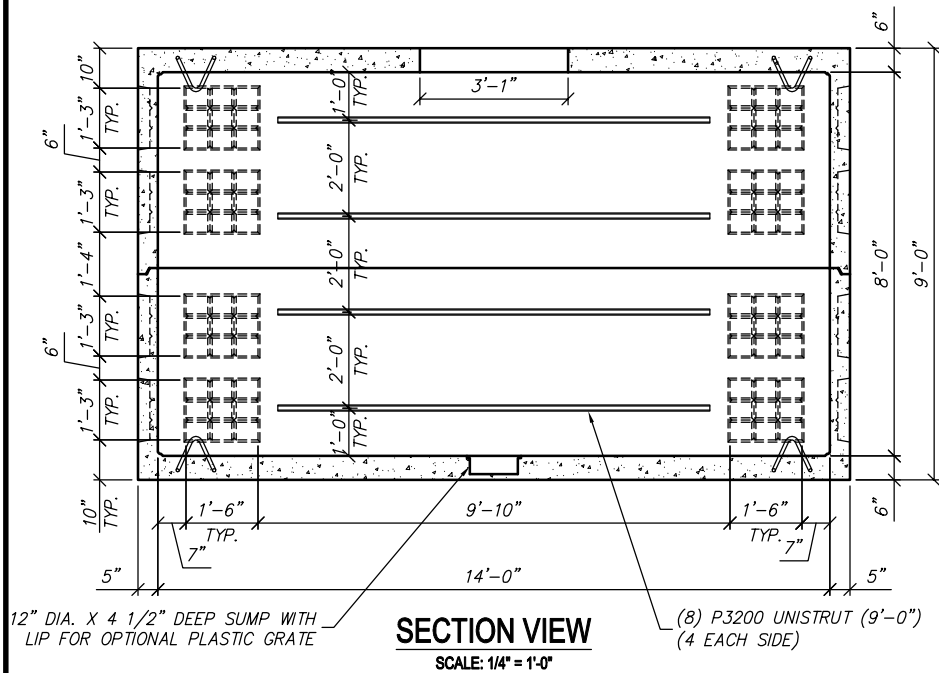
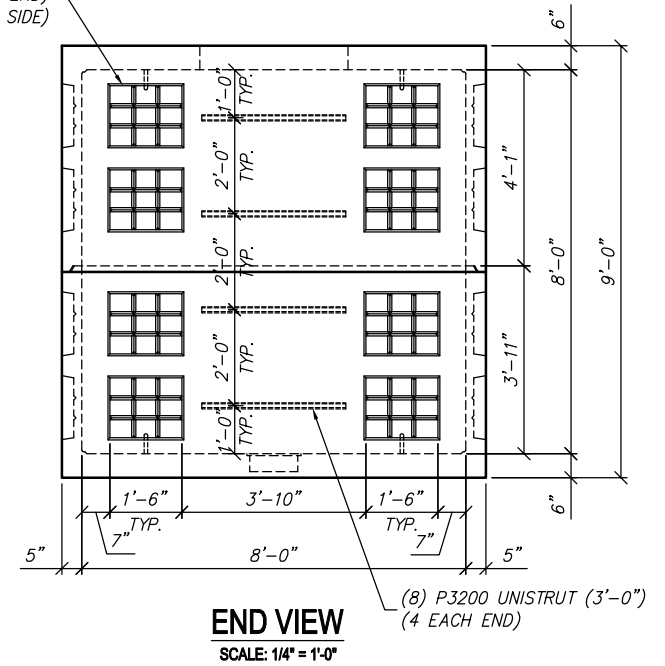
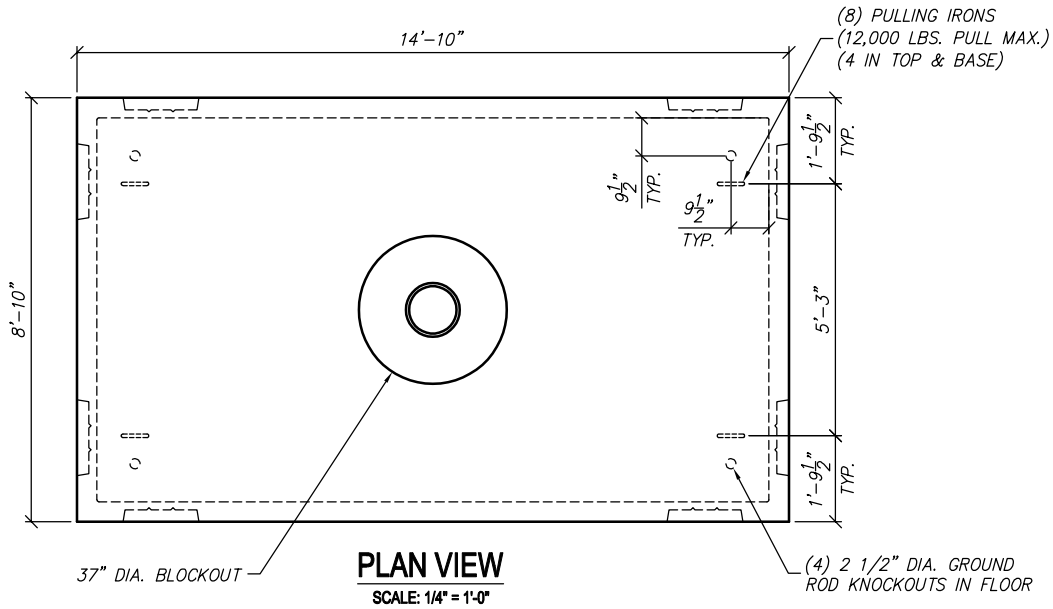


REV	DESCRIPTION	BY	DATE
A	CHANGED TITLE BLOCK	AT	8/18/08
B	CHANGED TITLE BLOCK	AT	6/14/12
C	NCS UPDATES	CP	7/20/17



STRUCTURAL NOTES

1. CONCRETE: 28 DAY COMPRESSIVE STRENGTH ftc BASE = 5,000 psi
TOP = 7,000 psi
2. REBAR: ASTM A-615 GRADE 60
3. MESH: ASTM A-1064 GRADE 65
4. DESIGN: ACI 318-14 BUILDING CODE
ASTM C-857 "MINIMUM STRUCTURAL DESIGN
LOADING FOR UNDERGROUND PRECAST
CONCRETE UTILITY STRUCTURES"
5. LOADS: HS20-44 W/30% IMPACT PER AASHTO
80 PSF LATERAL LIVE LOAD SURCHARGE - UP TO 8'-0" DEPTH
SOIL: 40 PCF LATERAL SOIL PRESSURE ABOVE WATER TABLE
80 PCF LATERAL SOIL PRESSURE BELOW WATER TABLE
120 PCF SOIL DENSITY
6. SOIL COVER: 0' TO 5" (MAX.)
7. WATER TABLE: 5'-0" BELOW GRADE

GENERAL NOTES

1. ALL JOINTS SHALL BE SEALED USING CONSEAL CS-101 BUTYL RUBBER ROPE.



THIS DOCUMENT IS THE PROPERTY OF OLDCASTLE PRECAST, INC. IT IS CONFIDENTIAL, SUBMITTED FOR REFERENCE PURPOSES ONLY, AND SHALL NOT BE USED IN ANY WAY INJURIOUS TO THE INTERESTS OF, OR WITHOUT THE WRITTEN PERMISSION OF OLDCASTLE PRECAST, INC. COPYRIGHT ©2017 OLDCASTLE PRECAST, INC. ALL RIGHTS RESERVED

814-LA (NEW STYLE)

CUSTOMER					
STANDARD					
DATE	SALES	DRAWN	ENGINEER	CHECKED	SALES ORDER
7/12/17		FS			
DRAWING NUMBER				REVISION	SHEET
V67L1-1				REV DATE	1 OF 1