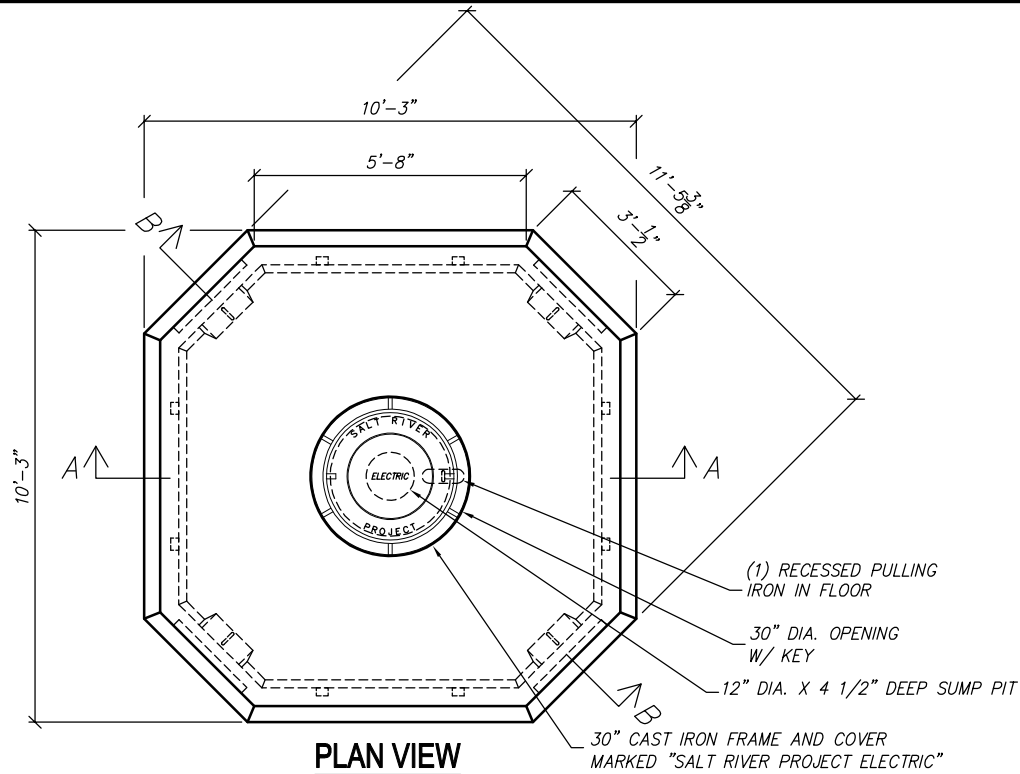


REV	DESCRIPTION	BY	DATE
A	CHANGED CONCRETE STRENGTH	AT	4/1/10
B	ADDED NEW TITLE BLOCK UPDATED DRAWING	AT	12/5/13
C	CHANGED CAST IRON ADDED STOCK NUMBER	AT	1/7/14
D	NCS UPDATES	CP	6/27/17



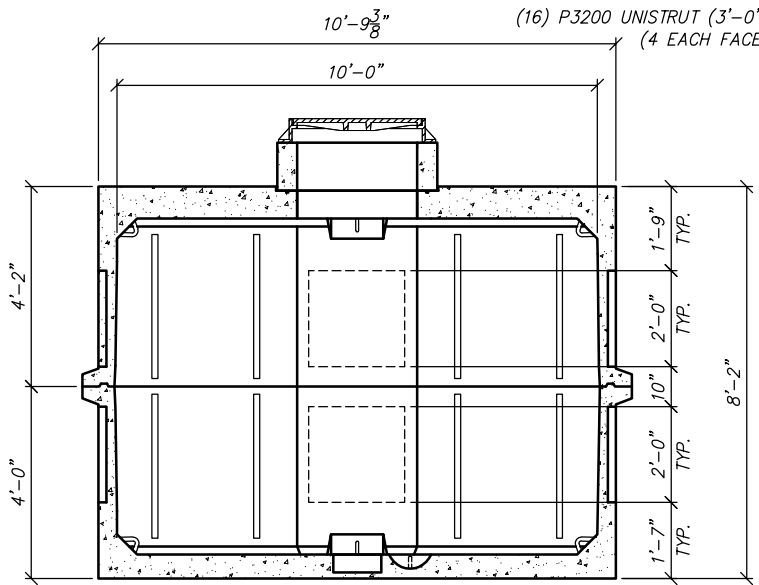
**PLAN VIEW**  
SCALE: 1/4" = 1'-0"

**STRUCTURAL NOTES**

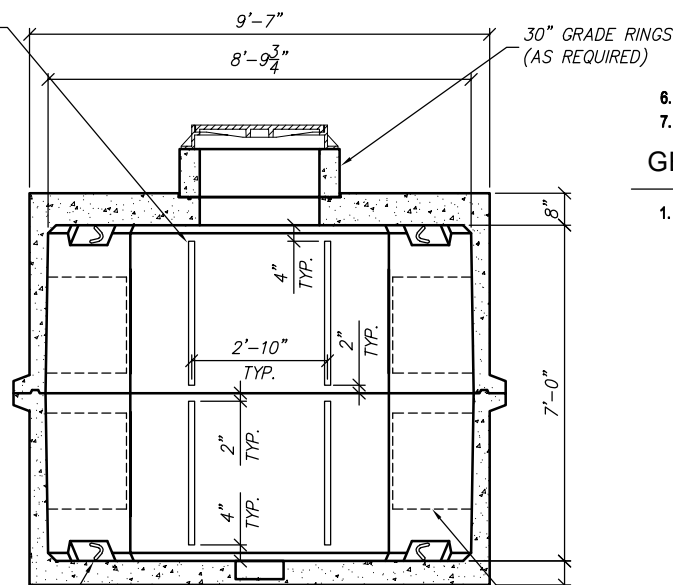
1. CONCRETE: 28 DAY COMPRESSIVE STRENGTH  $f_c$  TOP = 5,000 psi  
BASE = 7,000 psi
2. REBAR: ASTM A-615 GRADE 60
3. MESH: ASTM A-1064 GRADE 65
4. DESIGN: ACI 318-14 BUILDING CODE  
ASTM C-857 "MINIMUM STRUCTURAL DESIGN  
LOADING FOR UNDERGROUND PRECAST  
CONCRETE UTILITY STRUCTURES"
5. LOADS: HS20-44 W/30% IMPACT PER AASHTO  
80 PSF LATERAL LIVE LOAD SURCHARGE - UP TO 8'-0" DEPTH  
SOIL: 40 PCF LATERAL SOIL PRESSURE ABOVE WATER TABLE  
80 PCF LATERAL SOIL PRESSURE BELOW WATER TABLE  
120 PCF SOIL DENSITY
6. SOIL COVER: 0' TO 5' (MAX.)
7. WATER TABLE: 5'-0" BELOW GRADE

**GENERAL NOTES**

1. ALL JOINTS SHALL BE SEALED USING CONSEAL CS-101 BUTYL RUBBER ROPE.



**SECTION B-B**  
SCALE: 1/4" = 1'-0"



**SECTION A-A**  
SCALE: 1/4" = 1'-0"

(8) PULLING IRONS  
(2 EACH CORNER)

(8) 24" X 24" THIN  
WALL KNOCKOUTS  
(2 EACH CORNER)



THIS DOCUMENT IS THE PROPERTY OF OLDCASTLE PRECAST, INC. IT IS CONFIDENTIAL, SUBMITTED FOR REFERENCE PURPOSES ONLY, AND SHALL NOT BE USED IN ANY WAY INJURIOUS TO THE INTERESTS OF, OR WITHOUT THE WRITTEN PERMISSION OF OLDCASTLE PRECAST, INC. COPYRIGHT ©2017 OLDCASTLE PRECAST, INC. ALL RIGHTS RESERVED

**1010-SRP PRECAST VAULT**

ELECTRIC DISTRIBUTION CONSTRUCTION STANDARDS  
SRP STOCK # 5034697 (OLD # 0637154)

**CUSTOMER  
SALT RIVER PROJECT STANDARD**

DATE	SALES	DRAWN	ENGINEER	CHECKED	SALES ORDER
1/7/14		EG			
DRAWING NUMBER				REVISION	SHEET
V74L3-1				REV DATE	1 OF 1