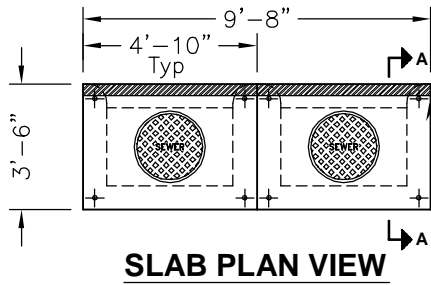
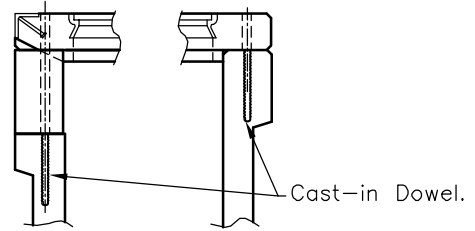
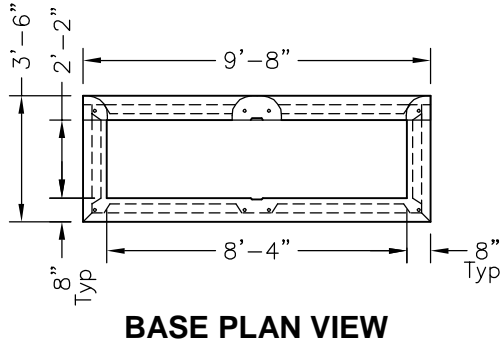


8" Thick Precast Standard Catch Basin Tops (2 Req'd)  
Per D.C.W.A.S.A. Dwg. (sw/30.11)

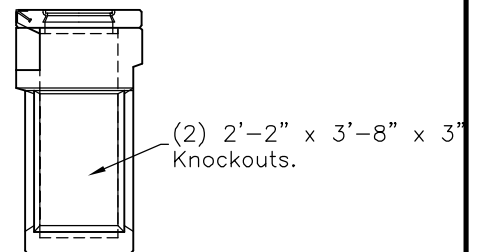
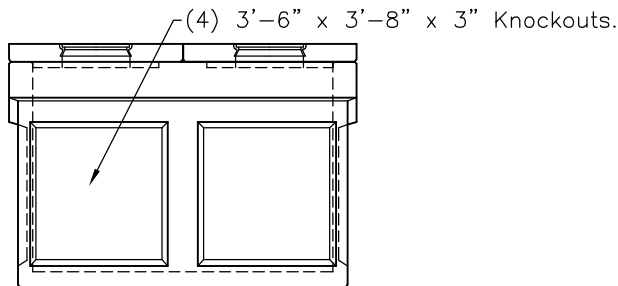
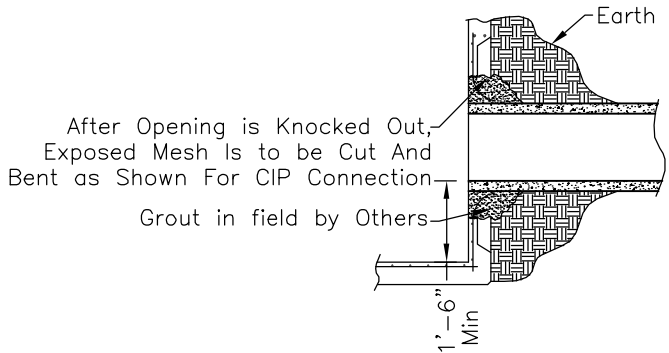
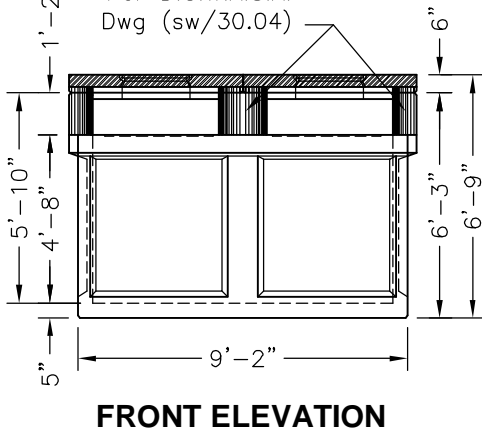


**GENERAL NOTES:**

1. Concrete  $f'c = 5,000$  psi.
2. Reinforcing Steel, ASTM A-615-84 Grade 60  
ASTM A-185 WWF Grade 72.5
3. Design Live Load = HS-20
4. Earth Cover = 0'-0" Min. to 0'-0" Max.
5. Contractor to:
  - Supply and Install All Piping
  - Knockout Openings as Needed and Grout in All Pipes.
6. Section Weights:
  - Top Slabs = 1,470 Lbs (.735 Tons) Ea.
  - Base = 7,950 Lbs (3.98 Tons)
  - Cheek Block Cnr. = 65 Lbs
  - Cheek Block Mid. = 130 Lbs



Precast Standard Cheek Blocks  
Per D.C.W.A.S.A.  
Dwg (sw/30.04)



SCALE: 3/16" = 1'-0"



5115 Massaponax Church Road. Fredericksburg, Virginia  
Phone: 540.898.6300 Fax: 540.898.2389

**WASA-2284-DB**

FILE NAME: 365DICDBLCB

ISSUE DATE: January, 2003

**D.C.W.A.S.A. Double Catch Basin**

Copyright © 2003 Oldcastle Precast