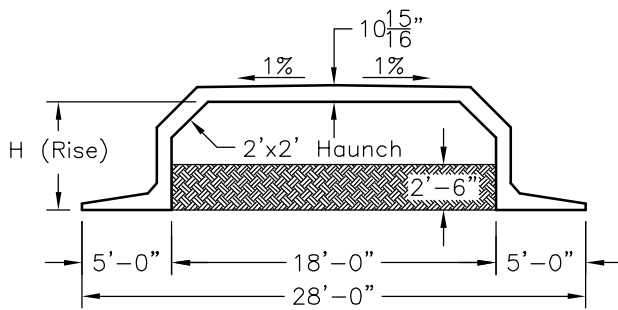
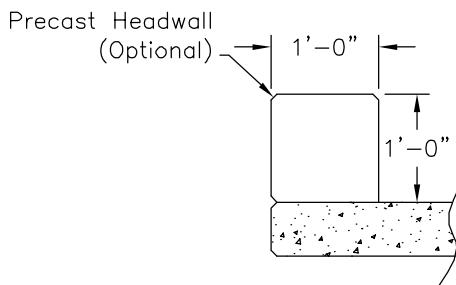


PLAN VIEW

Precast Wing Wall
Options Available.



ELEVATION VIEW

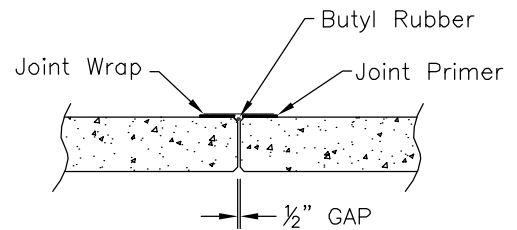
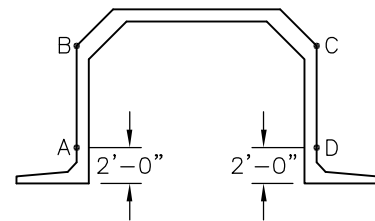


HEADWALL OPTION

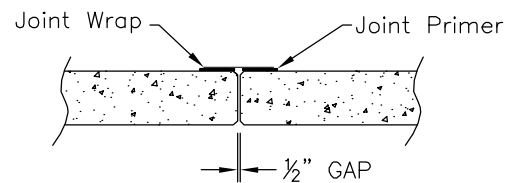
GENERAL NOTES:

1. Concrete: 28 Day Compressive Strength $f'c = 5,000$ psi
2. Steel Reinforcement: ASTM A-615, Grade 60
3. Design Live Load: HS-20
4. Earth Cover: 0'-6" Min to 5'-0" Max

Structure	H (Rise)	Waterway Areas	Section Weights
OM 18/4	4 ft	23 sf	17 Tons
OM 18/6	6 ft	59 sf	19 Tons
OM 18/8	8 ft	95 sf	21 Tons
OM 18/10	10 ft	131 sf	23 Tons
OM 18/12	12 ft	167 sf	25 Tons



DETAIL FROM B-C



DETAIL FROM A-B & C-D

SCALE: 3/32" = 1'-0"



5115 Massaponax Church Road, Fredericksburg, Virginia
Phone: 540.898.6300 Fax: 540.898.2389

OM 18 SERIES

FILE NAME: OMEGA BRIDGE - 18

ISSUE DATE: January, 2003

**18'-0" Span
Omega Bridge
Standard Layout**

Copyright © 2003 Oldcastle Precast, Inc.