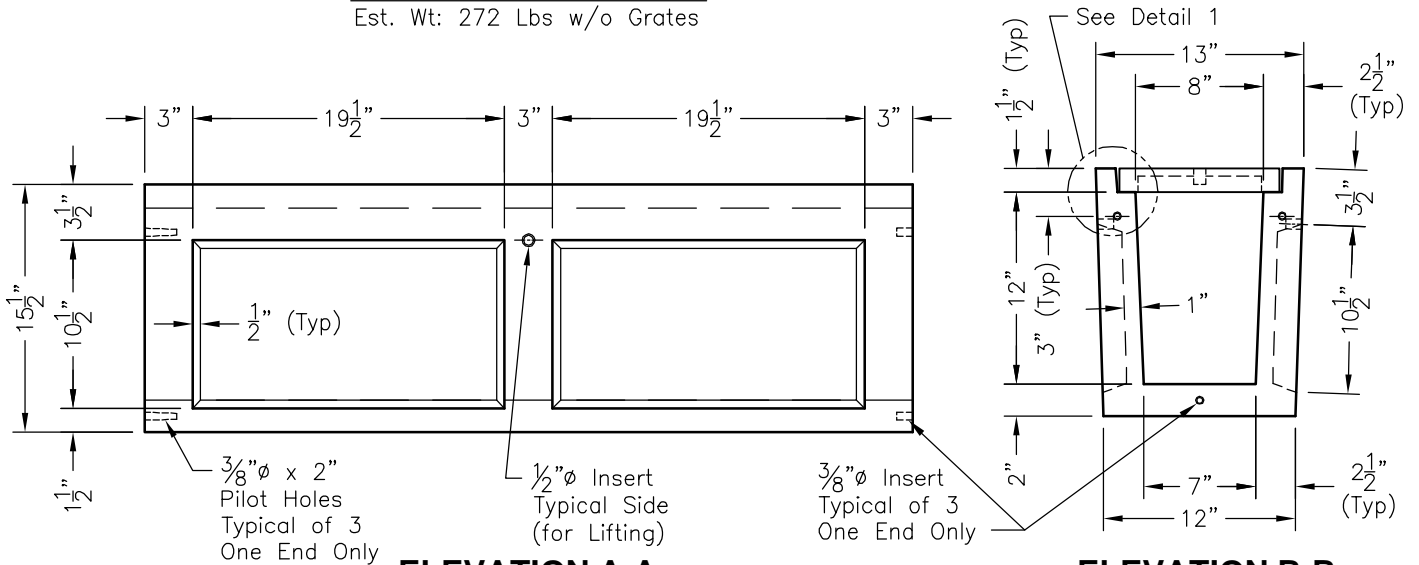


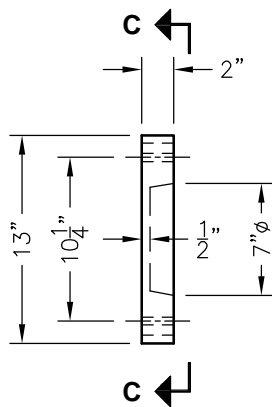
PLAN VIEW - TRENCH

Est. Wt: 272 Lbs w/o Gates



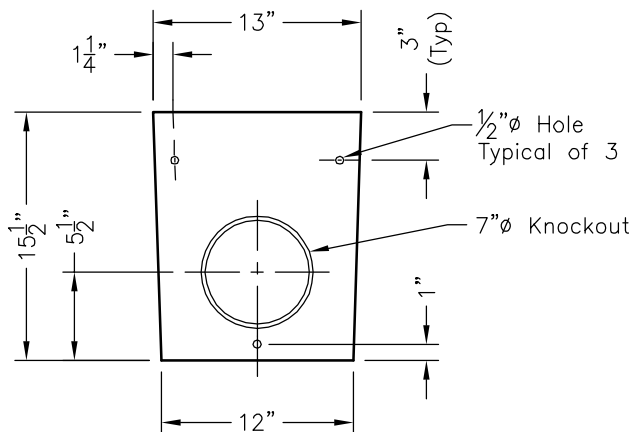
ELEVATION A-A

ELEVATION B-B

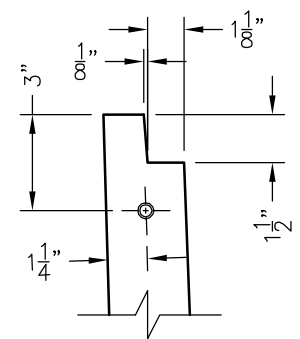


**PLAN VIEW
END CAP**

Est. Wt: 29 Lbs



ELEVATION C-C



DETAIL 1

SCALE: 1" = 1'-0"

Oldcastle Precast
Rotondo
MANUFACTURERS OF QUALITY PRECAST
CONCRETE PRODUCTS
5115 MASSAPONAX CHURCH RD.
FREDERICKSBURG, VA. 22407

8" x 12" x 4' TRENCH

FILE NAME: 8"x12"-Trench

ISSUE DATE: 3/24/08

**8" x 12" x 4'-0"
TRENCH DRAIN**

Copyright © 2003 Oldcastle Precast, Inc.