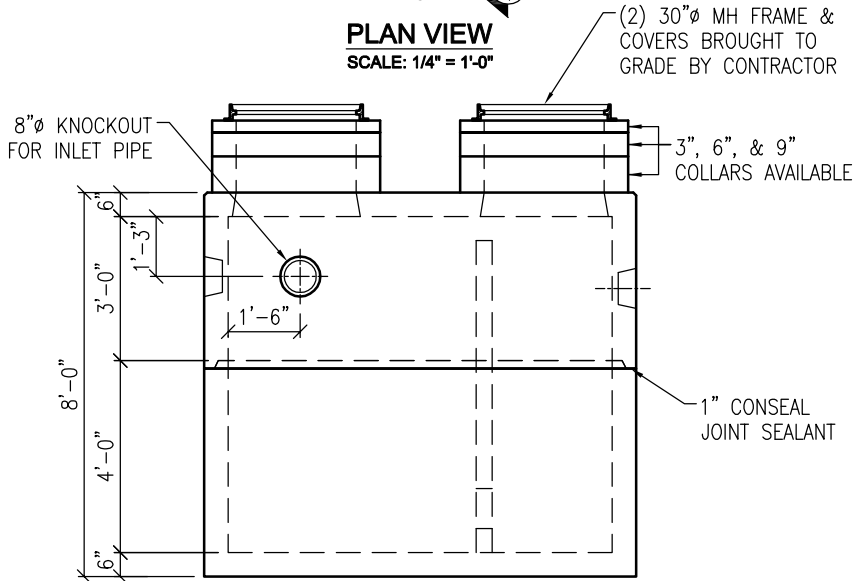
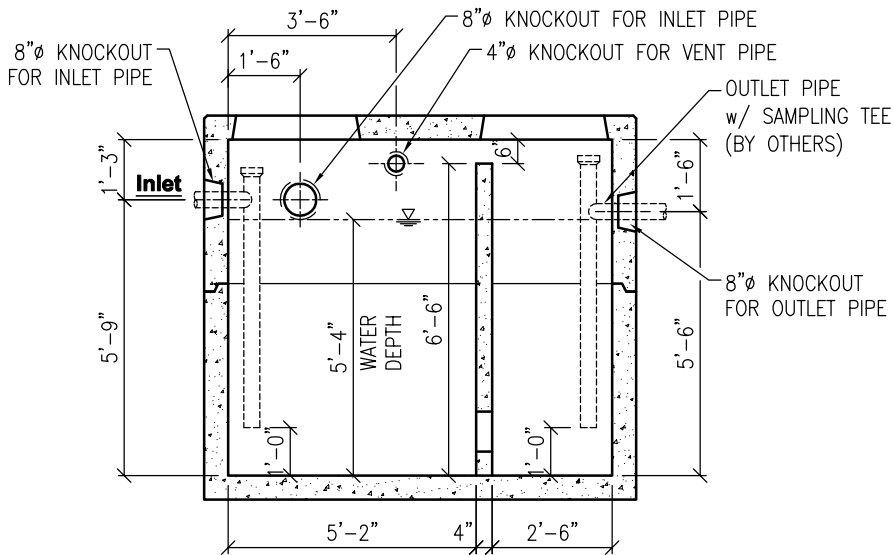


**PLAN VIEW**  
SCALE: 1/4" = 1'-0"

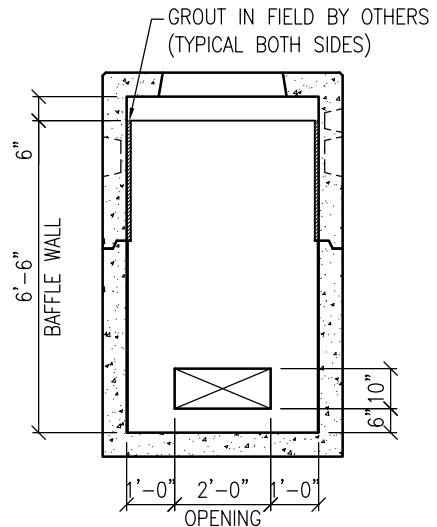


**VIEW A**  
SCALE: 1/4" = 1'-0"



**SECTION Y**  
SCALE: 1/4" = 1'-0"

SHIP-LOOSE ITEMS		
QTY	DESCRIPTION	ITEM ID
2 ROLLS	JOINT SEALANT 1" x 14.5' CS-102	5439200
OLDCASTLE ID		
QTY	DESCRIPTION	ITEM ID
1 EA.	4 x 8 x 3 TOP SECTION	1902315
1 EA.	4 x 8 x 4 BASE SECTION	0068251
1 EA.	4 x 8 1250 GAL. BAFFLE WALL	1902305
1 EA.	BAFFLE WALL INSTALLATION	1902311



**SECTION Z**  
SCALE: 1/4" = 1'-0"

**GENERAL NOTES:**

1. CONCRETE: F<sub>c</sub> = 5,000 psi.
2. REINFORCING STEEL: ASTM A-615, F<sub>y</sub> = 60 ksi
3. DESIGN LIVE LOAD = HS-20
4. EARTH COVER = 0'-0" MIN. TO 2'-0" MAX.
5. BUTYL RUBBER JOINT SEALANT
6. GRAY WATER ONLY
7. BLACK WATER SHALL BE CARRIED BY SEPARATE SIDE SEWER
8. CONTRACTOR TO:
  - SUPPLY & INSTALL ALL PIPING & SAMPLING TEES
  - KNOCKOUT OPENINGS AS NEEDED & GROUT IN ALL PIPES & WEIRS
  - FILL w/ CLEAN WATER PRIOR TO "START UP" OF SYSTEM
  - VERIFY SIZE & LOCATION OF ALL OPENINGS

**WEIGHTS:**

TOP SECTION: 4.25 TONS / 8491 LBS.  
 BASE SECTION: 5.49 TONS / 10979 LBS.  
 BASE SECTION w/ BAFFLE: 6.09 TONS / 12175 LBS.

**Oldcastle Precast**<sup>®</sup>  
**CHESAPEAKE**  
 1401 TRIMBLE ROAD  
 EDGEWOOD, MD 21040 410-812-1213  
 5115 MASSAPONAX CHURCH ROAD  
 FREDERICKSBURG, VA 22407 540-898-6300  
 OPI-CHESAPEAKE-INFO@OLDCASTLE.COM

**GI-487**  
 FILE NAME: 365GT1250GA.DWG  
 ISSUE DATE: October, 2017  
 SCALE: 1/4" = 1'-0"

**Grease Interceptor**  
**4'-0" x 8'-0" x 7'-0" I.D.**  
**1250 Gallon Capacity**  
 Copyright © 2017 Oldcastle Precast, Inc.