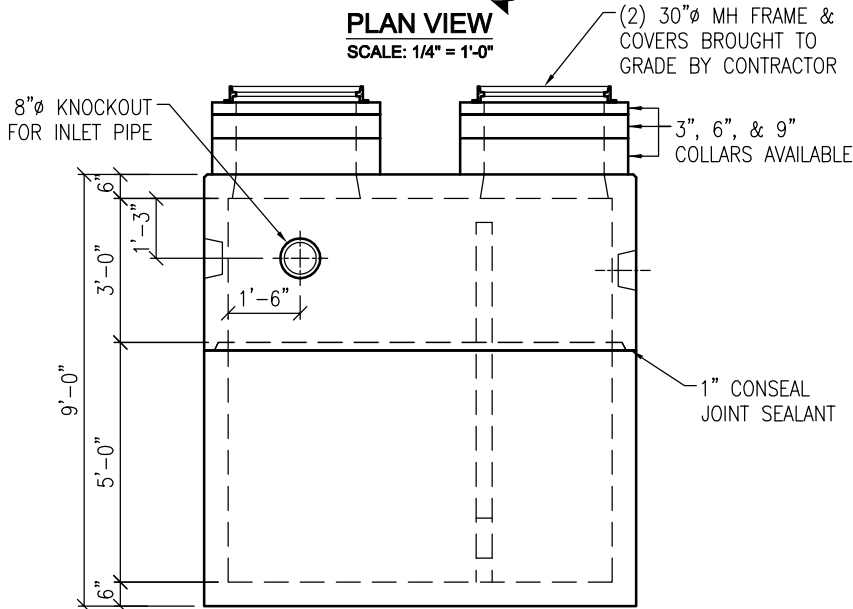
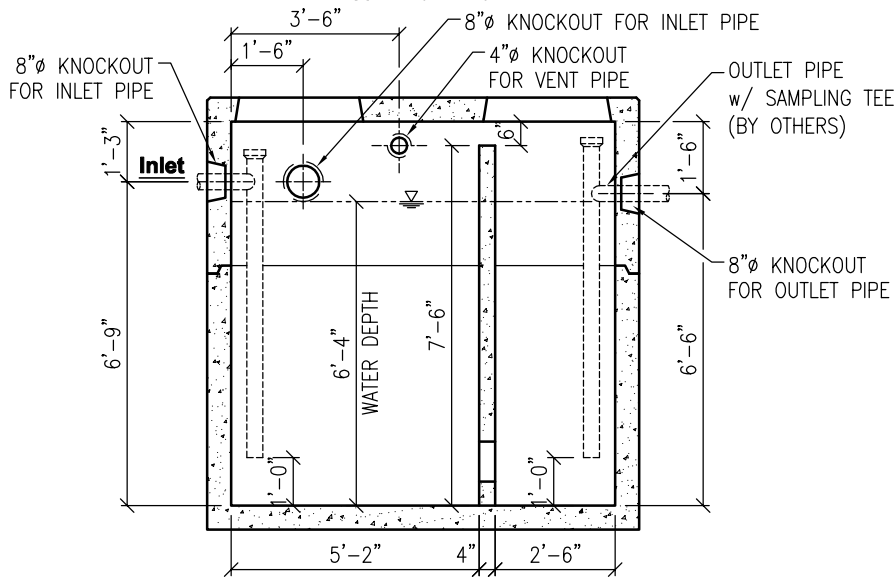


PLAN VIEW
SCALE: 1/4" = 1'-0"

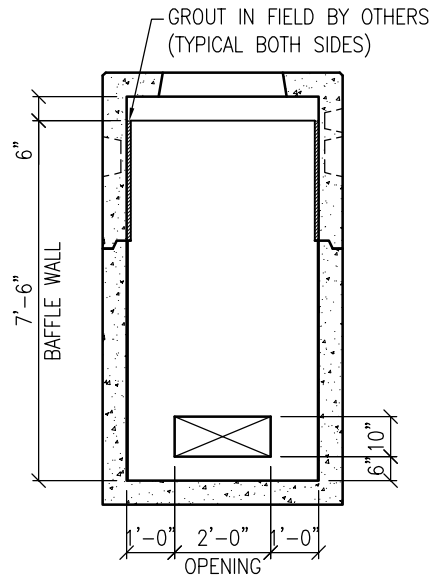


VIEW A
SCALE: 1/4" = 1'-0"



SECTION Y
SCALE: 1/4" = 1'-0"

SHIP-LOOSE ITEMS		
QTY	DESCRIPTION	ITEM ID
2 ROLLS	JOINT SEALANT 1" x 14.5' CS-102	5439200
OLDCASTLE ID		
QTY	DESCRIPTION	ITEM ID
1 EA.	4 x 8 x 3 TOP SECTION	1902315
1 EA.	4 x 8 x 5 BASE SECTION	0068255
1 EA.	4 x 8 1500 GAL. BAFFLE WALL	1902310
1 EA.	BAFFLE WALL INSTALLATION	1902311



SECTION Z
SCALE: 1/4" = 1'-0"

GENERAL NOTES:

1. CONCRETE: F_c = 5,000 psi.
2. REINFORCING STEEL: ASTM A-615, F_y = 60 ksi
3. DESIGN LIVE LOAD = HS-20
4. EARTH COVER = 0'-0" MIN. TO 2'-0" MAX.
5. BUTYL RUBBER JOINT SEALANT
6. GRAY WATER ONLY
7. BLACK WATER SHALL BE CARRIED BY SEPARATE SIDE SEWER
8. CONTRACTOR TO:
 - SUPPLY & INSTALL ALL PIPING & SAMPLING TEES
 - KNOCKOUT OPENINGS AS NEEDED & GROUT IN ALL PIPES & WEIRS
 - FILL w/ CLEAN WATER PRIOR TO "START UP" OF SYSTEM
 - VERIFY SIZE & LOCATION OF ALL OPENINGS

WEIGHTS:

TOP SECTION: 4.25 TONS / 8491 LBS.
 BASE SECTION: 6.46 TONS / 12929 LBS.
 BASE SECTION w/ BAFFLE: 7.16 TONS / 14325 LBS.

Oldcastle Precast[®]
CHESAPEAKE
 1401 TRIMBLE ROAD
 EDGEWOOD, MD 21040 410-812-1213
 5115 MASSAPONAX CHURCH ROAD
 FREDERICKSBURG, VA 22407 540-898-6300

OPI-CHESAPEAKE-INFO@OLDCASTLE.COM

GI-488

FILE NAME: 365GT1500GA.DWG

ISSUE DATE: October, 2017

SCALE: 1/4" = 1'-0"

Grease Interceptor
4'-0" x 8'-0" x 8'-0" I.D.
1500 Gallon Capacity

Copyright © 2017 Oldcastle Precast, Inc.

