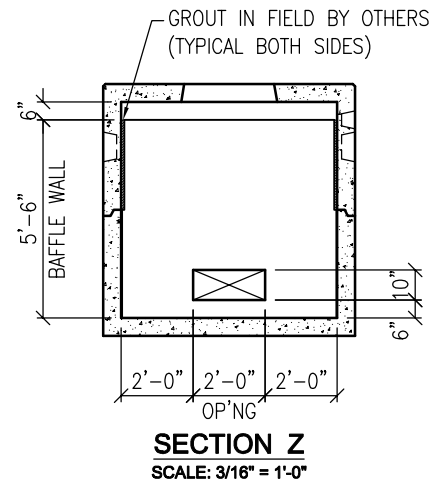


SHIP-LOOSE ITEMS		
QTY	DESCRIPTION	ITEM ID
3 ROLLS	JOINT SEALANT 1" x 14.5' CS-102	5439200
OLDCASTLE ID		
QTY	DESCRIPTION	ITEM ID
1 EA.	6 x 12 x 3 TOP SECTION	1902335
1 EA.	6 x 12 x 3 BASE SECTION	0120300
1 EA.	6 x 12 2250 GAL. BAFFLE WALL	1902320
1 EA.	BAFFLE WALL INSTALLATION	1902311



**GENERAL NOTES:**

1. CONCRETE: F<sub>c</sub> = 5,000 psi.
2. REINFORCING STEEL: ASTM A-615, F<sub>y</sub> = 60 ksi
3. DESIGN LIVE LOAD = HS-20
4. EARTH COVER = 0'-0" MIN. TO 2'-0" MAX.
5. BUTYL RUBBER JOINT SEALANT
6. GRAY WATER ONLY
7. BLACK WATER SHALL BE CARRIED BY SEPARATE SIDE SEWER
8. CONTRACTOR TO:
  - SUPPLY & INSTALL ALL PIPING & SAMPLING TEES
  - KNOCKOUT OPENINGS AS NEEDED & GROUT IN ALL PIPES & WEIRS
  - FILL w/ CLEAN WATER PRIOR TO "START UP" OF SYSTEM
  - VERIFY SIZE & LOCATION OF ALL OPENINGS

**WEIGHTS:**

TOP SECTION: 7.36 TONS / 14,713 LBS.  
 BASE SECTION: 7.55 TONS / 15,092 LBS.  
 BASE SECTION w/ BAFFLE: 8.32 TONS / 16,638 LBS.



**Oldcastle Precast**<sup>®</sup>  
CHESAPEAKE

1401 TRIMBLE ROAD  
 EDGEWOOD, MD 21040 410-812-1213  
 5115 MASSAPONAX CHURCH ROAD  
 FREDERICKSBURG, VA 22407 540-898-6300

OPI-CHESAPEAKE-INFO@OLDCASTLE.COM

**GI-6126**

FILE NAME: 365GT2250GA.DWG

ISSUE DATE: October, 2017

SCALE: 1/4" = 1'-0"

Grease Interceptor  
 6'-0" x 12'-0" x 6'-0" I.D.  
 2250 Gallon Capacity

Copyright © 2017 Oldcastle Precast, Inc.

