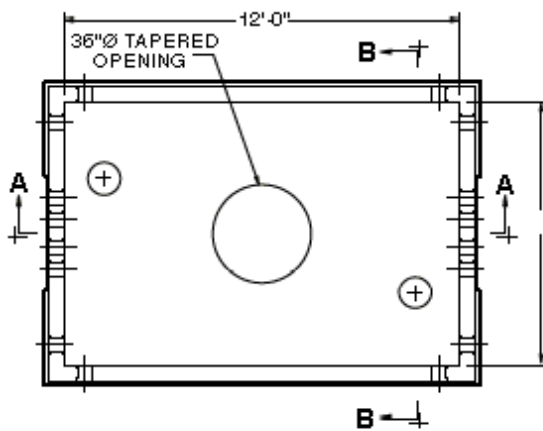


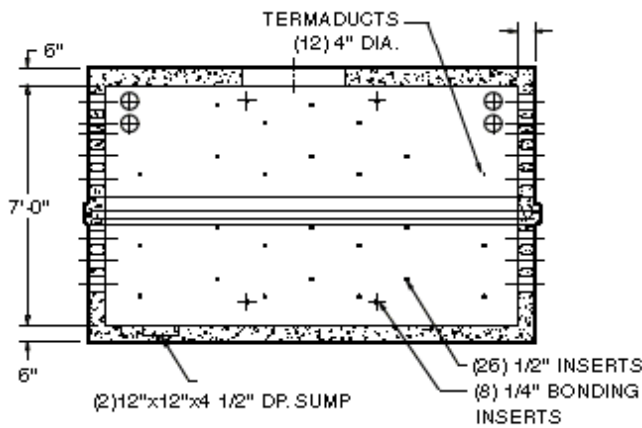
**Utility Vault**  
**Model No. BA6X12-7SL**  
**6'-0" x 12'-0" x 7'-0"**  
**Three Piece Design**



**PLAN VIEW**

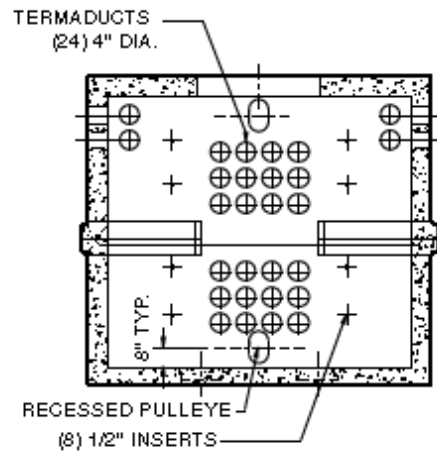
- NOTES:
1. CONCRETE - 5,000 P.S.I. MINIMUM STRENGTH
  2. STEEL REINFORCEMENT - ASTM-A-15, GRADE 60
  3. COVER TO STEEL - 1" MINIMUM
  4. VAULTS ARE DESIGNED TO MEET ASTM MC858 AND ACI 318
  5. EARTH COVER- 0 TO 5 FEET
  6. CONSTRUCTION JOINT - SEALED WITH 1" DIA. BUTYL RUBBER OR EQUIVALENT

**Utility Vault**  
**Model No. BA6X12-7SL**  
**6'-0" x 12'-0" x 7'-0"**  
**Three Piece Design**



**SECTION A - A**

**Utility Vault**  
**Model No. BA6X12-7SL**  
**6'-0" x 12'-0" x 7'-0"**  
**Three Piece Design**



**SECTION B - B**

**Utility Vault**  
**Model No. BA6X12-7SL**  
**6'-0" x 12'-0" x 7'-0"**  
**Three Piece Design**