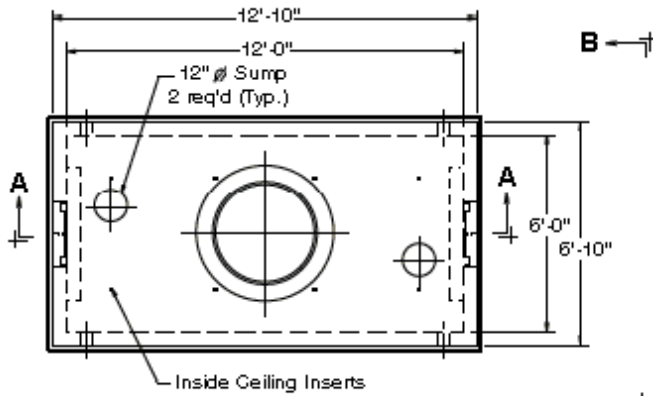


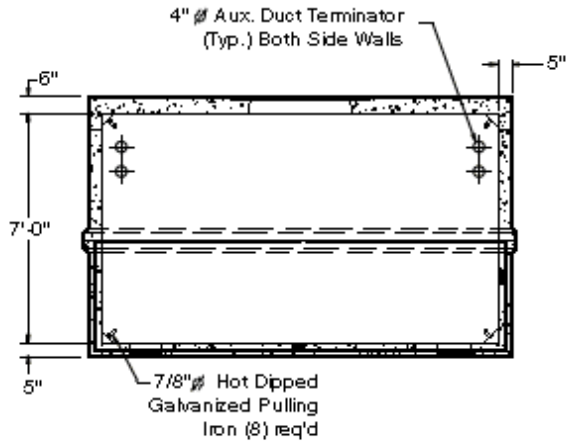
Communication Vault
Model No. BA6X12-7GR11
6'-0" x 12'-0" x 7'-0"
Two Piece Design
Bell Atlantic



PLAN VIEW

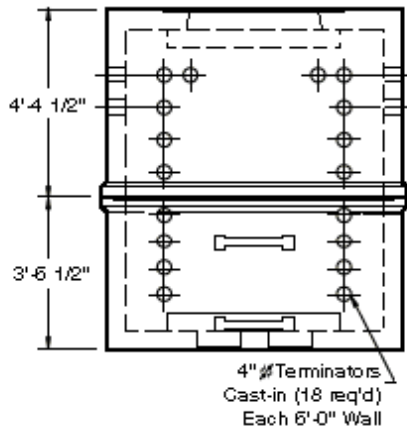
- NOTES:
1. CONCRETE - 5,000 P.S.I. MINIMUM STRENGTH
 2. STEEL REINFORCEMENT - ASTM A-15, GRADE 60
 3. COVER TO STEEL - 1" MINIMUM
 4. VAULTS ARE DESIGNED TO MEET AST MC858 AND ACI 318
 5. EARTH COVER - 0 TO 5 FEET
 6. CONSTRUCTION JOINT - SEALED WITH 1" DIA. BUTYL RUBBER OR EQUIVALENT

Communication Vault
Model No. BA6X12-7GR11
6'-0" x 12'-0" x 7'-0"
Two Piece Design
Bell Atlantic



SECTION A - A

Communication Vault
Model No. BA6X12-7GR11
6'-0" x 12'-0" x 7'-0"
Two Piece Design
Bell Atlantic



END VIEW

Communication Vault
Model No. BA6X12-7GR11
6'-0" x 12'-0" x 7'-0"
Two Piece Design
Bell Atlantic